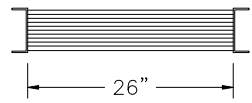
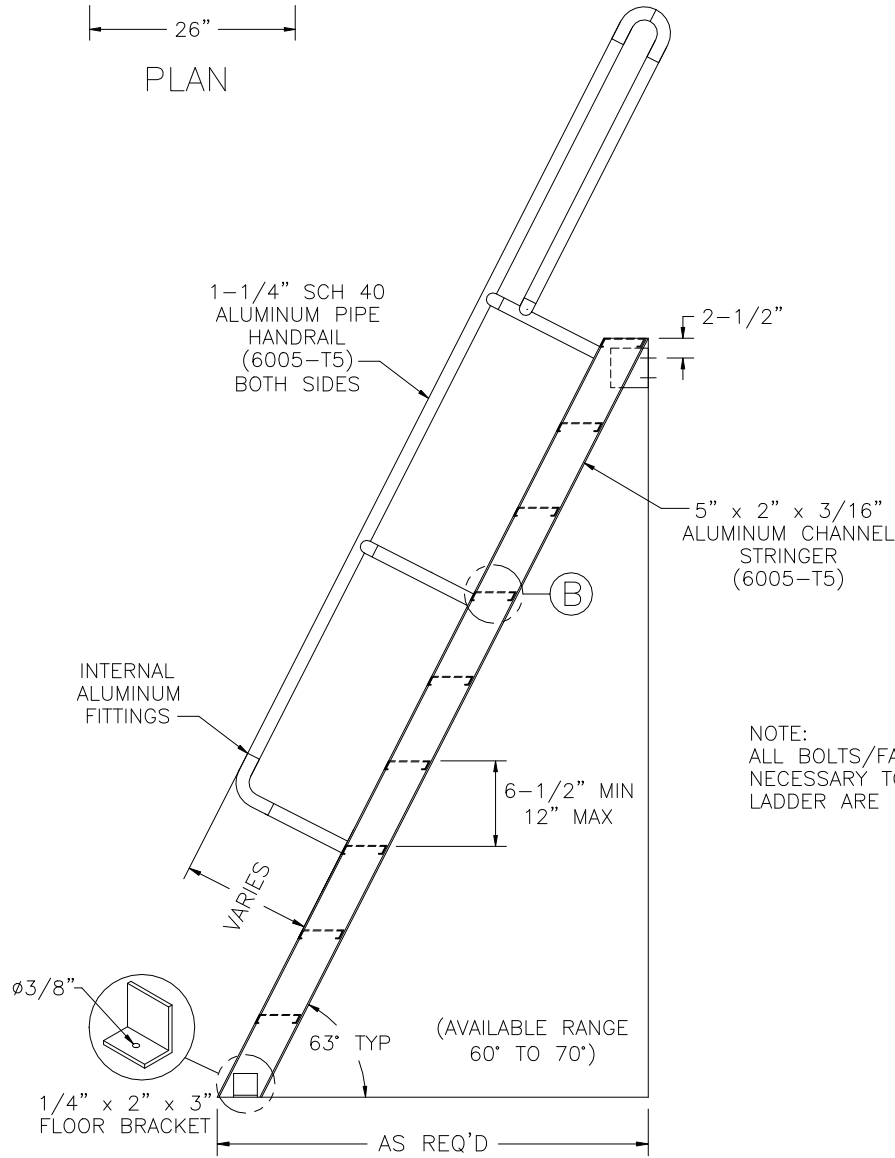


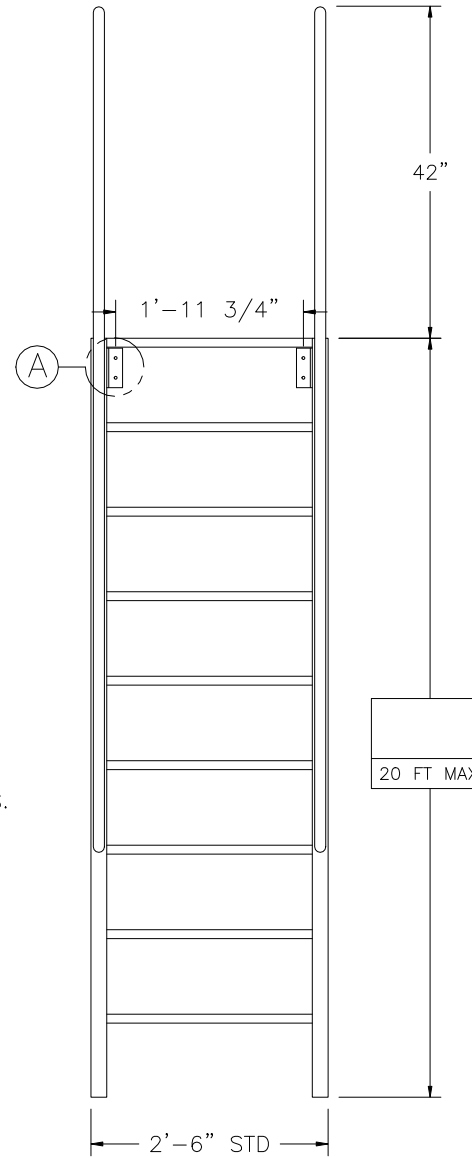
# ALUMINUM SHIPS STAIR w/WALK-THRU



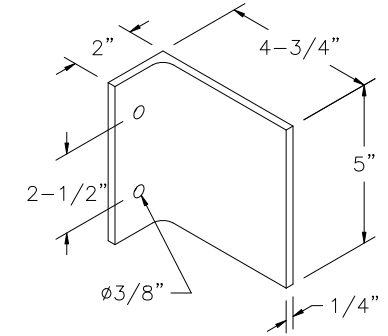
PLAN



NOTE:  
ALL BOLTS/FASTENERS  
NECESSARY TO ANCHOR  
LADDER ARE BY OTHERS.

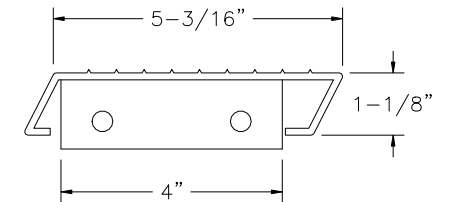


## (A) MOUNTING BRACKET (6005-T5)



BRACKET WELDED TO  
INSIDE OF STRINGER

## (B) ALUMINUM TREAD (6005-T5)



1-1/4" x 1-1/4" x 1/4"  
ANGLE WELDED TO TREAD

TREAD WELDED AND BOLTED  
TO STRINGER WITH 1/4"  
ROUND HEAD BOLTS

FACTORY FINISH  
ALUMINUM-MILL FINISH

(AVAILABLE UP TO 48" WIDE)

SL-02

OSHA 1910.25



Precision Ladders, LLC

P.O. BOX 2279 Morristown, TN 37816-2279  
Ph: (423) 586-2265 Fax: (423) 586-2091  
www.PrecisionLadders.com

WORK ORDER: ( )

DWG. CHECK	ARCH'T OR ENG'R.	PROJECT		PRECISION REP
BUILT BY:	PURCHASE ORDER	DATE	PURCHASER	SERIAL#
CHECKED BY:	DRAWN BY: DNH	DATE 4/4/19	MODEL# SL-	QTY.