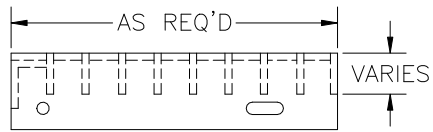


INDUSTRIAL STAIRWAY

FACTORY FINISH
ALUMINUM-MILL FINISH

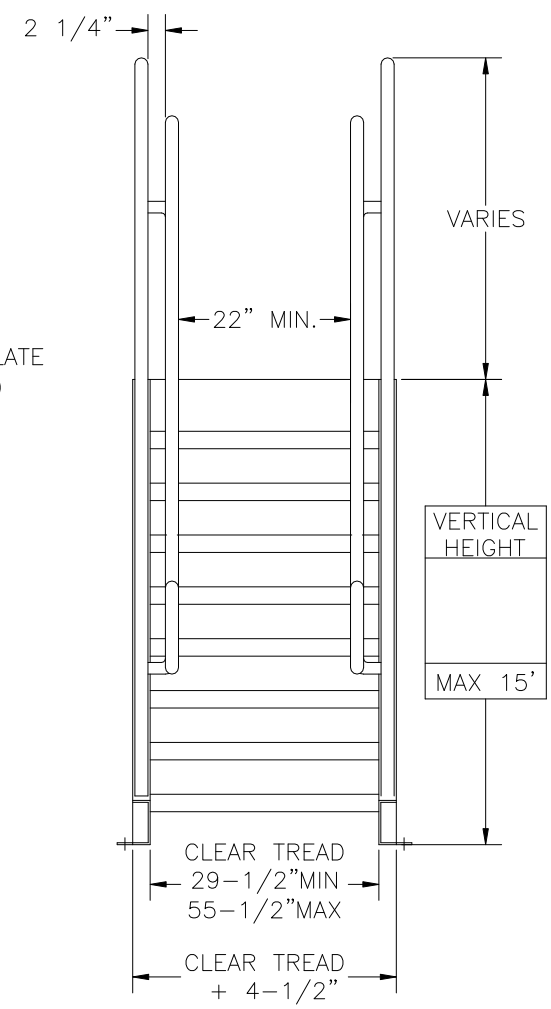
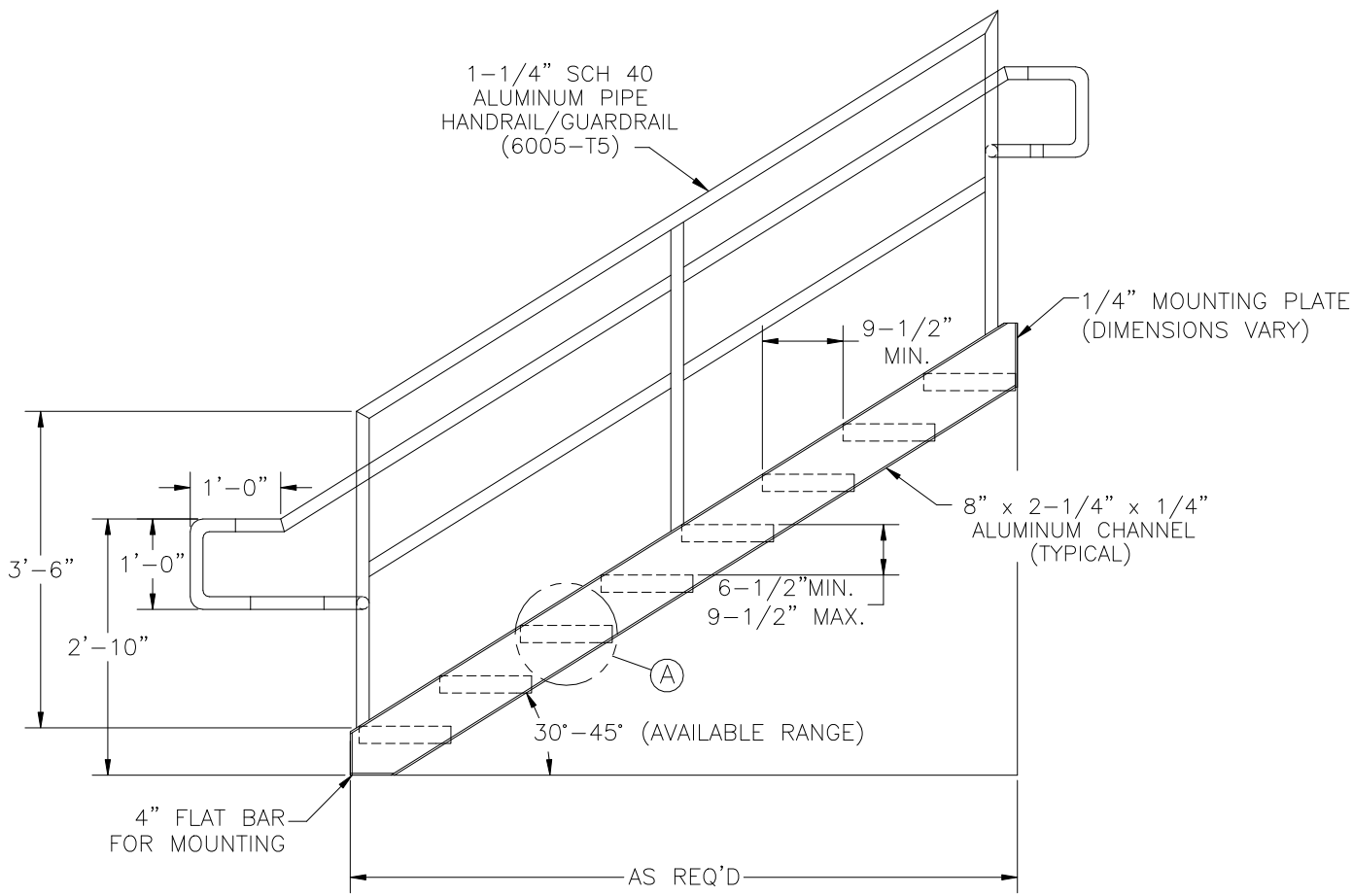
Ⓐ BAR GRATING TREAD
(GROOVED NOSING)



TREAD WELDED AND BOLTED
TO STRINGER WITH 3/8"
HEX HEAD BOLTS

NOTE:
ALL BOLTS/FASTENERS
NECESSARY TO ANCHOR
STAIRWAY ARE BY OTHERS.

UNIFORM RISER HEIGHTS AND
TREAD DEPTHS BETWEEN LANDINGS



OSHA 1910.25 & 29

PS-3

 Precision Ladders, LLC
P.O. BOX 2279 Morristown, TN 37816-2279
Ph: (423) 586-2265 Fax: (423) 586-2091
www.PrecisionLadders.com

| | | | | |
|-------------|------------------|-------------|------------|---------------|
| DWG. CHECK | ARCH'T OR ENG'R. | PROJECT | | PRECISION REP |
| BUILT BY: | PURCHASE ORDER | WORK ORDER | PURCHASER | SERIAL# |
| CHECKED BY: | DRAWN BY: DNH | DATE 4/8/19 | MODEL# PS- | QTY. |