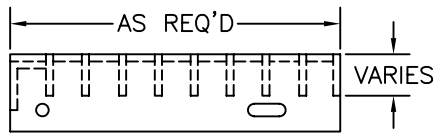


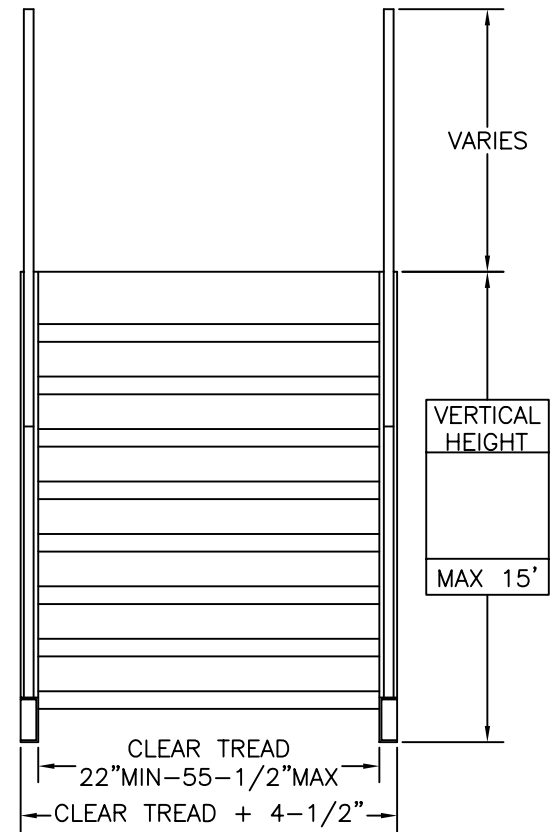
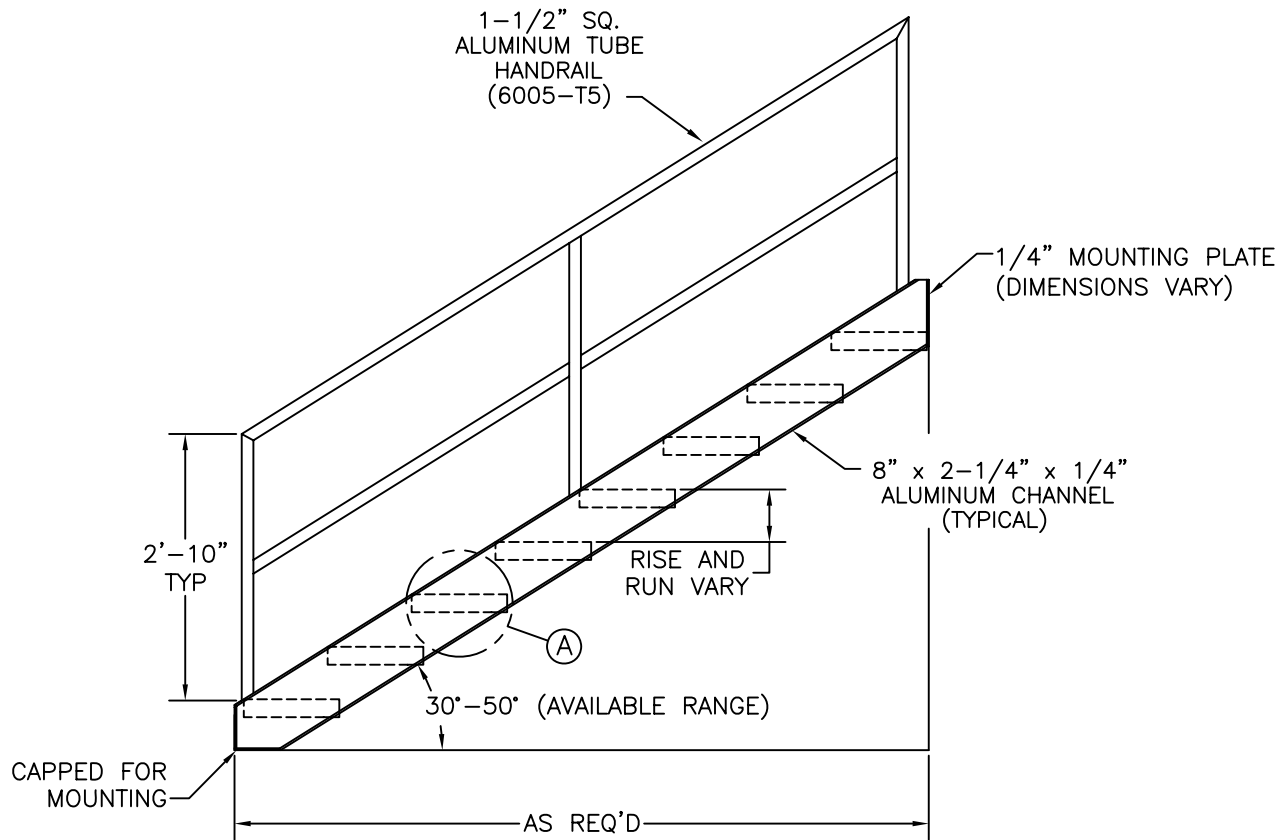
# INDUSTRIAL STAIRWAY

Ⓐ BAR GRATING TREAD  
(GROOVED NOSING)



TREAD WELDED AND BOLTED  
TO STRINGER WITH 3/8"  
HEX HEAD BOLTS

NOTE:  
ALL BOLTS/FASTENERS  
NECESSARY TO ANCHOR  
STAIRWAY ARE BY OTHERS.



FACTORY FINISH  
ALUMINUM-MILL FINISH

PS-3

**Precision Ladders, LLC**  
P.O. BOX 2279 Morristown, TN 37816-2279  
Ph: (423) 586-2265 Fax: (423) 586-2091  
www.PrecisionLadders.com

|             |                  |                  |               |               |
|-------------|------------------|------------------|---------------|---------------|
| DWG. CHECK  | ARCH'T OR ENG'R. | PROJECT          |               | PRECISION REP |
| BUILT BY:   | PURCHASE ORDER   | WORK ORDER       | PURCHASER     | SERIAL#       |
| CHECKED BY: | DRAWN BY:<br>DNH | DATE<br>11/19/15 | MODEL#<br>PS- | QTY.          |