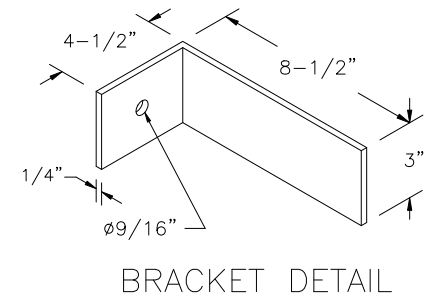
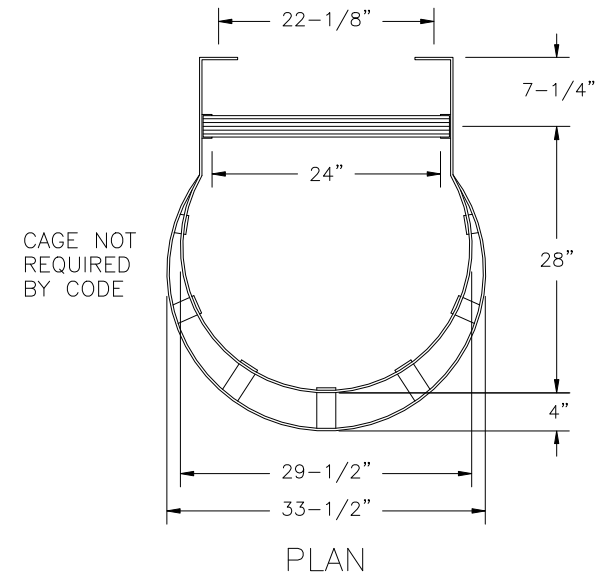
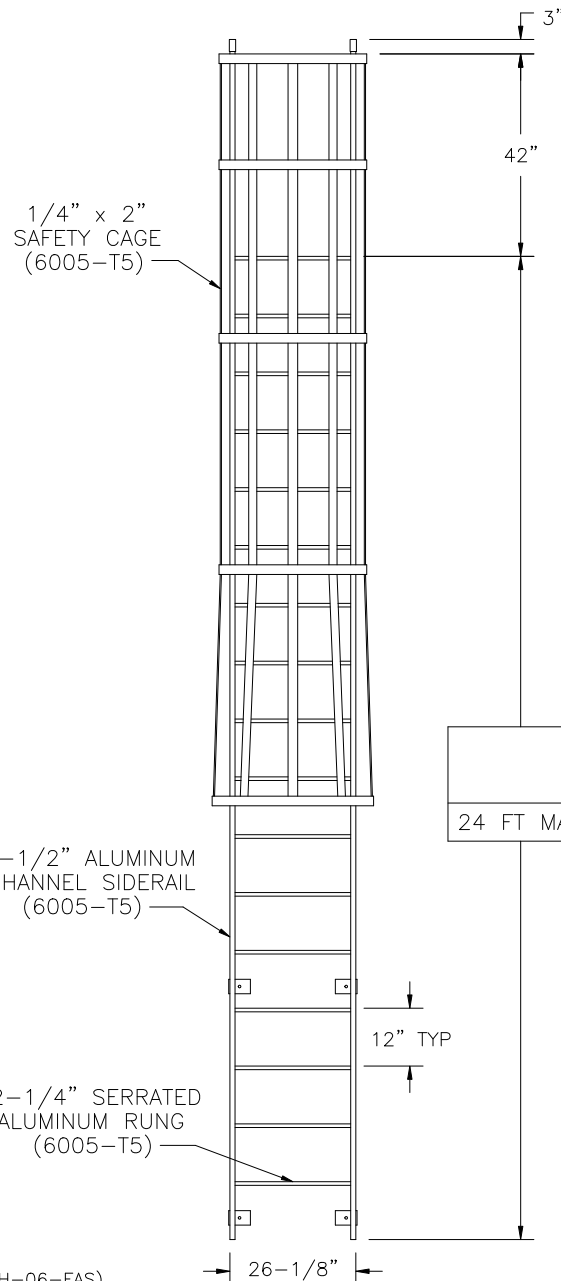
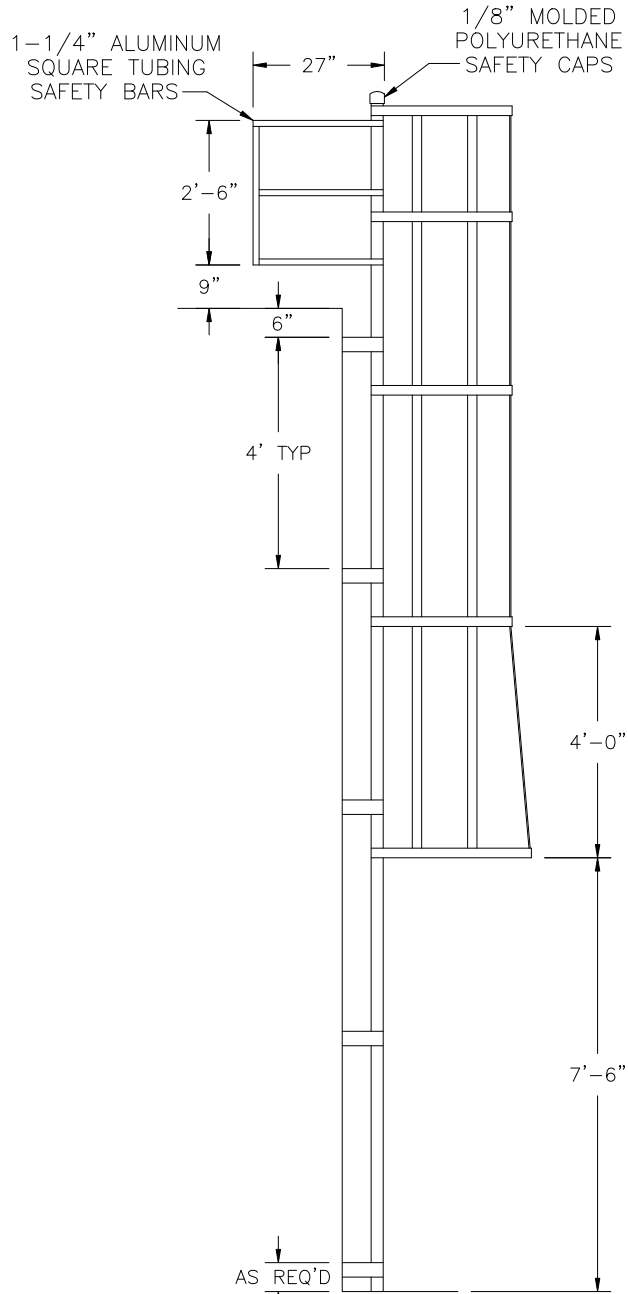


FIXED LADDER w/CAGE & WALK-THRU



NOTE:
ALL BOLTS/FASTENERS
NECESSARY TO ANCHOR
LADDER ARE BY OTHERS.

FACTORY FINISH
ALUMINUM-MILL FINISH

NOTE: FALL ARREST SYSTEM REQUIRED ON LADDERS EXCEEDING 24'-0" (SEE DETAIL FLH-06-FAS)

LADDERS MANUFACTURED BY PRECISION LADDERS, LLC
COMPLY WITH OSHA 1910 SUBPART D AND ANSI 14.3

LADDER RATED AT 1,500 LBS

FL-09



Precision Ladders, LLC

P.O. BOX 2279 Morristown, TN 37816-2279
Ph: (423) 586-2265 Fax: (423) 586-2091
www.PrecisionLadders.com

WORK ORDER: ()

DWG. CHECK

ARCH'T OR ENG'R.

PROJECT

PRECISION REP

BUILT BY:

PURCHASE ORDER

REVISION

PURCHASER

SERIAL#

CHECKED BY:

DRAWN BY:

DNH

DATE

7/22/19

MODEL#

FL-

QTY.