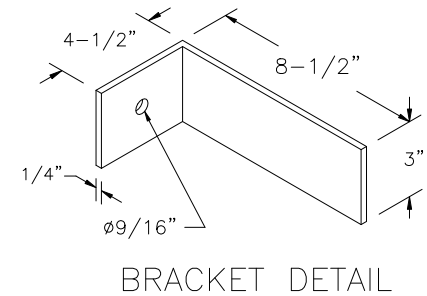
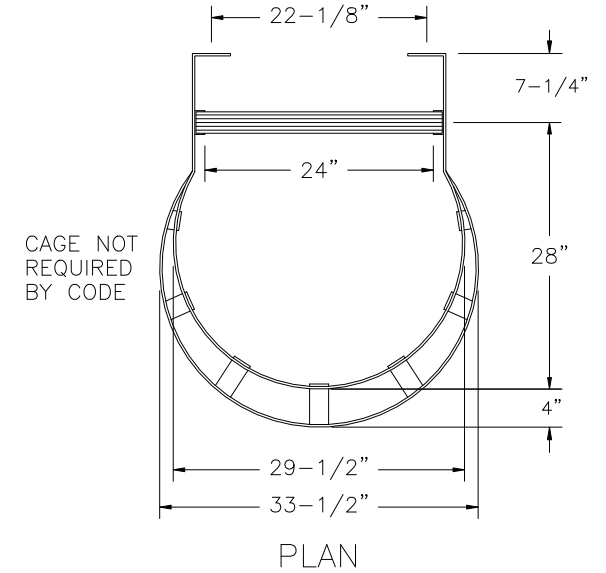
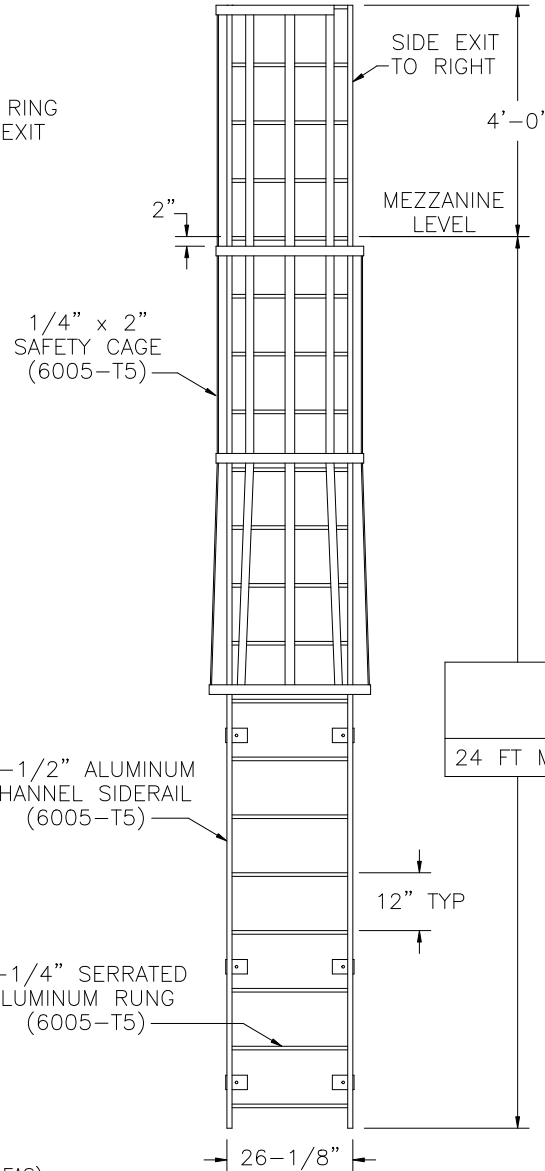
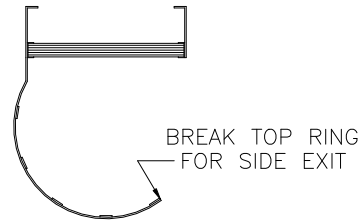
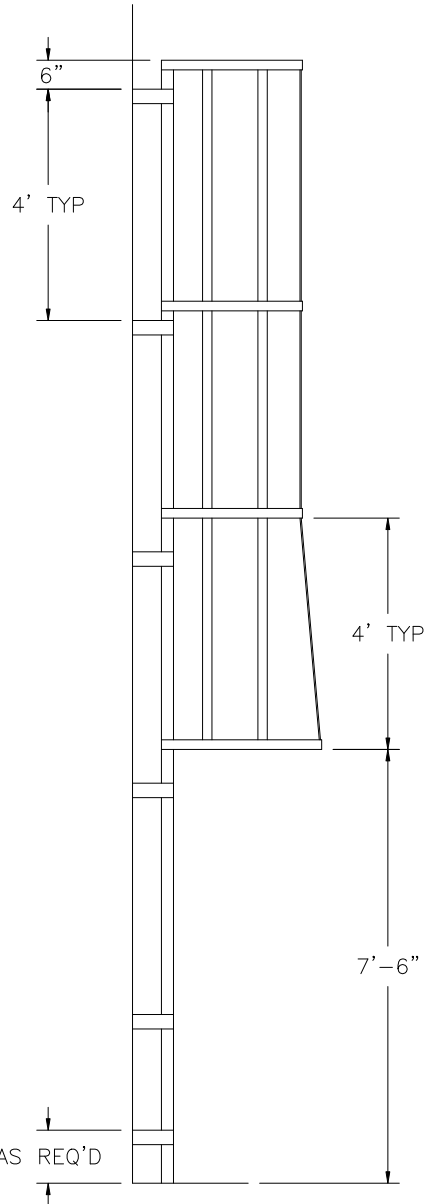


FIXED LADDER w/CAGE & OVERSHOOT



NOTE:
ALL BOLTS/FASTENERS
NECESSARY TO ANCHOR
LADDER ARE BY OTHERS.

FACTORY FINISH
ALUMINUM-MILL FINISH FL-11

NOTE: FALL ARREST SYSTEM REQUIRED ON LADDERS EXCEEDING 24'-0" (SEE DETAIL FL-13-FAS)

LADDERS MANUFACTURED BY PRECISION LADDERS, LLC
COMPLY WITH OSHA 1910 SUBPART D AND ANSI 14.3

LADDER RATED AT 1,500 LBS

Precision Ladders, LLC
P.O. BOX 2279 Morristown, TN 37816-2279
Ph: (423) 586-2265 Fax: (423) 586-2091
www.PrecisionLadders.com

WORK ORDER: ()

DWG. CHECK	ARCH'T OR ENG'R.	PROJECT		PRECISION REP
BUILT BY:	PURCHASE ORDER	REVISION	PURCHASER	SERIAL#
CHECKED BY:	DRAWN BY: DNH	DATE 4/4/19	MODEL# FL-	QTY.