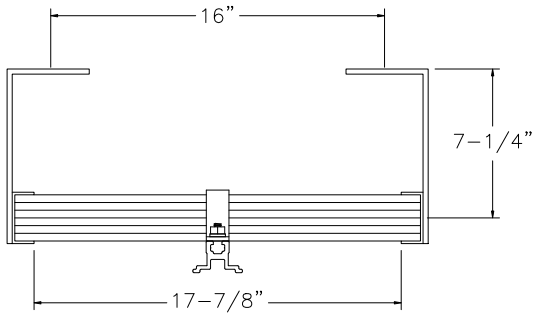
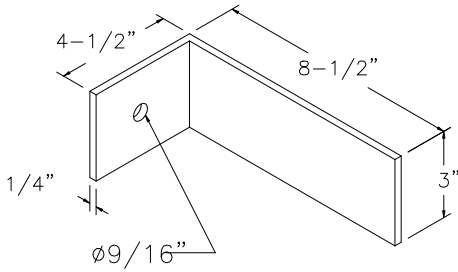


# FIXED LADDER w/OVERSHOOT & FALL ARREST SYSTEM

FL-13-FAS



PLAN



BRACKET DETAIL

NOTE:  
ALL BOLTS/FASTENERS  
NECESSARY TO ANCHOR  
LADDER ARE BY OTHERS.

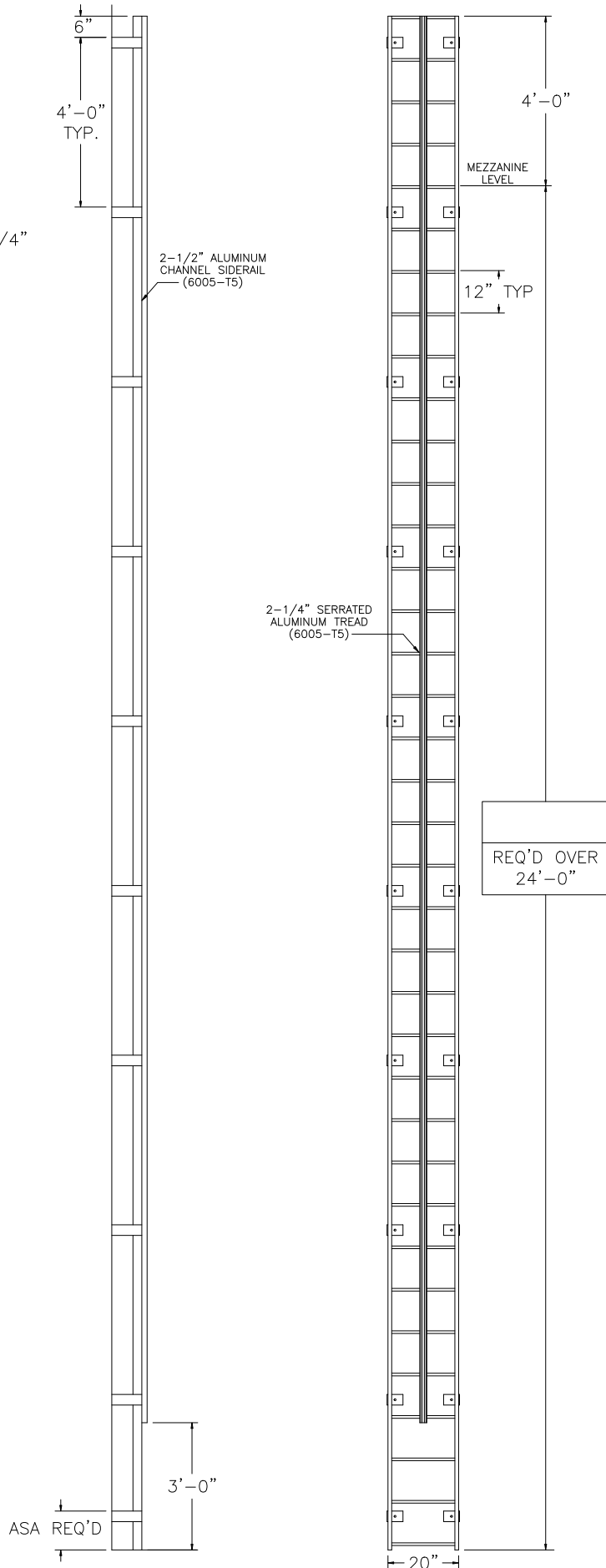
FAS INCLUDED PARTS

- CARRIER RAIL
- RUNG CLAMPS
- (2) LOCKING TROLLEYS
- SPLICE KIT (AS REQ'D)

ITEMS REQ'D BUT NOT INCLUDED

- (1) FULL BODY HARNESS  
WITH D-RING PER CLIMBER

FACTORY FINISH  
ALUMINUM-MILL FINISH



LADDER RATED AT 1,500 LBS

PRECISION REP

SERIAL#

PURCHASER

MODEL#

DATE

2/20/19

QTY.

FL-

DNH

ARCHT OR ENGR.

PURCHASE ORDER

BUILT BY:

CHECKED BY:

WORK ORDER: ( )

DWG. CHECK

LADDERS MANUFACTURED BY PRECISION LADDERS, LLC

COMPLY WITH OSHA 1910 SUBPART D AND ANSI 14.3

Precision Ladders, LLC

P.O. BOX 2279 Morristown, TN 37816-2279

Ph: (423) 586-2265 Fax: (423) 586-2091

www.PrecisionLadders.com

