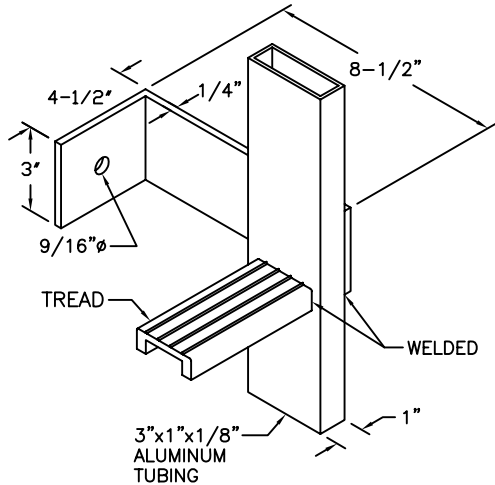


# TUBULAR LADDER DETAILS

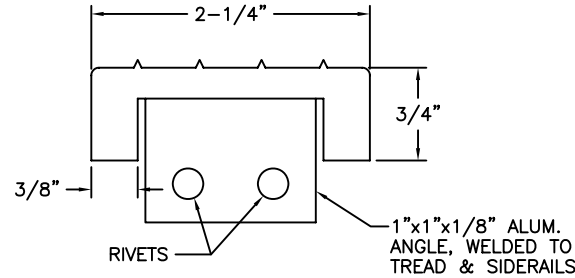
(APPLICABLE IF MARKED)

## SIDERAIL DETAIL



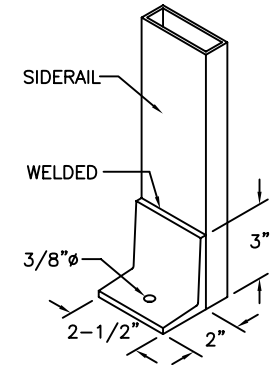
## TREAD DETAIL

1,500 LB LOAD RATING



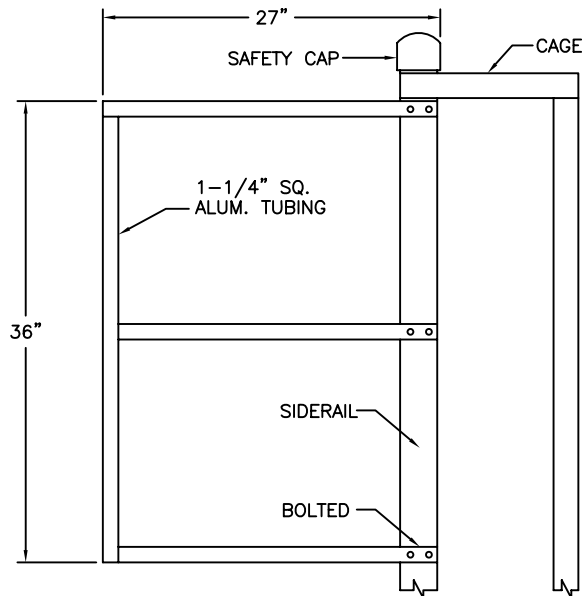
INDIVIDUAL TREADS TESTED AT 3,000 LBS WITHOUT FAILURE

## FLOOR BRACKET



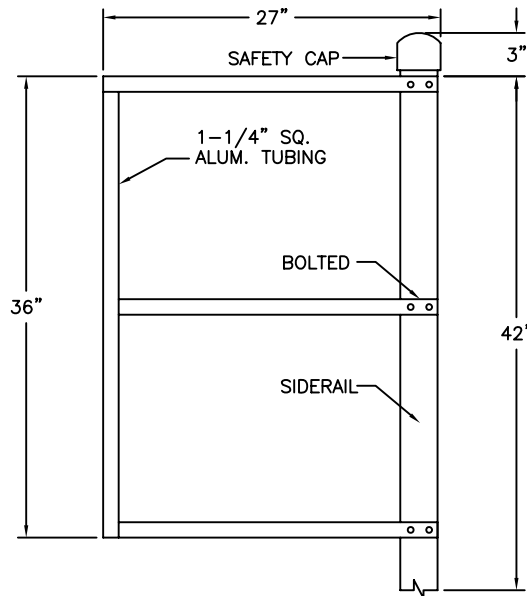
## HANDRAILS

(FIXED VERTICAL LADDER w/CAGE)



## HANDRAILS

(FIXED VERTICAL LADDER w/WALK-THRU)



## CAGE ATTACHMENT

