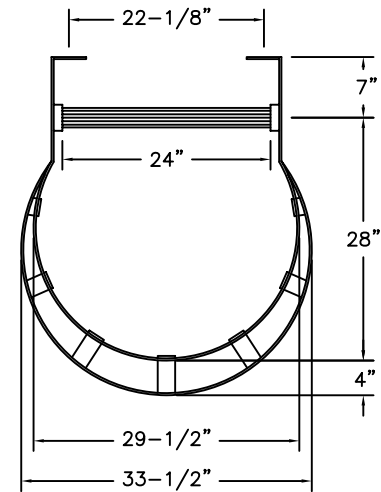
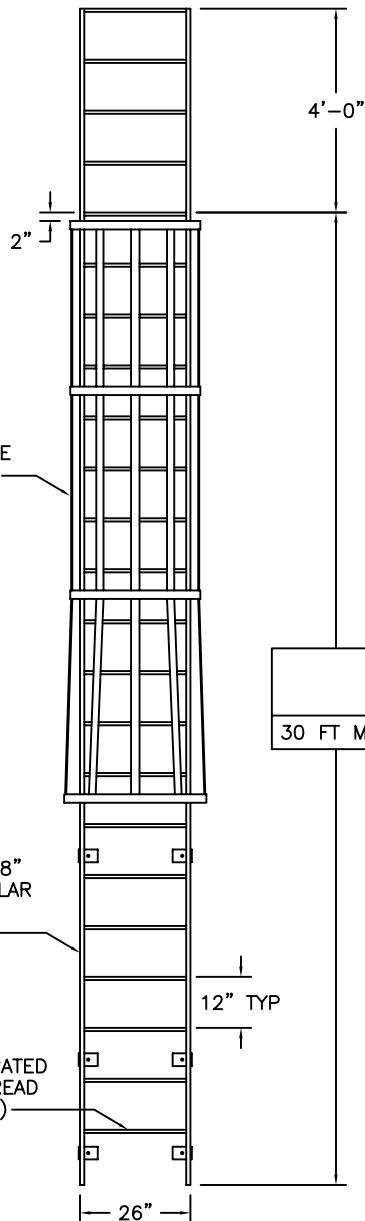
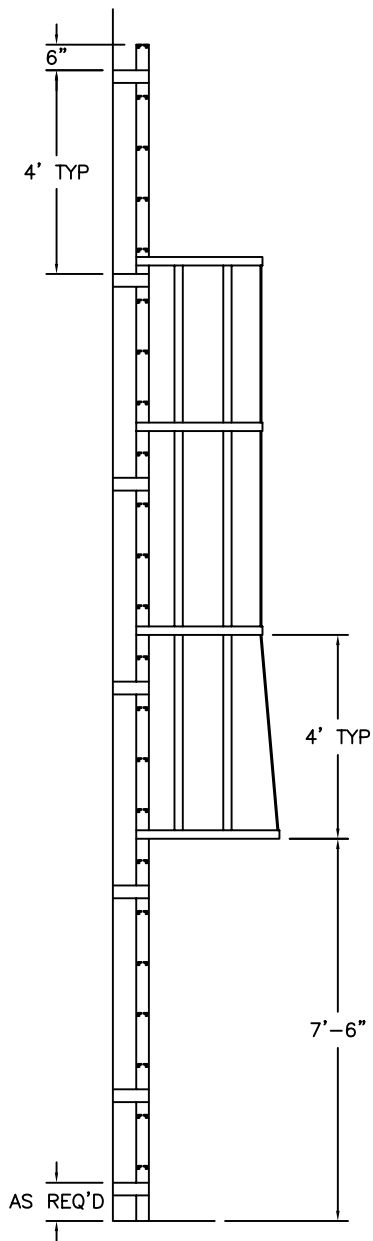
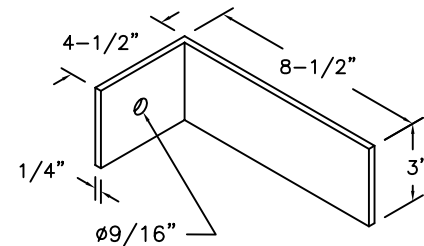


TUBULAR FIXED LADDER w/CAGE & OVERSHOOT



PLAN



BRACKET DETAIL

NOTE:
ALL BOLTS/FASTENERS
NECESSARY TO ANCHOR
LADDER ARE BY OTHERS.

**FACTORY FINISH
ALUMINUM-MILL FINISH**

30 FT MAX

FLH-07

LADDERS MANUFACTURED BY PRECISION LADDERS, LLC
COMPLY WITH OSHA 1910.27 AND ANSI 14.3

INDIVIDUAL TREAD TESTED AT
3,000 LBS WITHOUT FAIL

LADDER RATED AT 1,500 LBS

Precision Ladders, LLC
P.O. BOX 2279 Morristown, TN 37816-2279
Ph: (423) 586-2265 Fax: (423) 586-2091
www.PrecisionLadders.com

WORK ORDER: ()	DWG. CHECK	ARCH'T OR ENG'R.	PROJECT		PRECISION REP
	BUILT BY:	PURCHASE ORDER	DATE	PURCHASER	SERIAL#
	CHECKED BY:	DRAWN BY: DNH	DATE 11/2/15	MODEL# FL-	QTY.