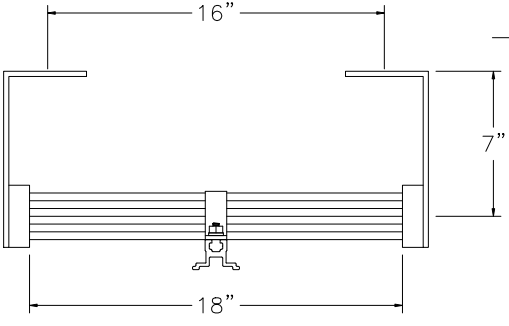
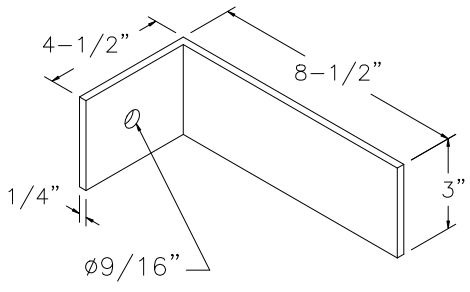


TUBULAR FIXED LADDER TO ROOF HATCH w/FALL ARREST SYSTEM

FLH-05-FAS



PLAN



BRACKET DETAIL

IF WALL DOES NOT LINE UP WITH HATCH OPENING, ADVISE OFFSET

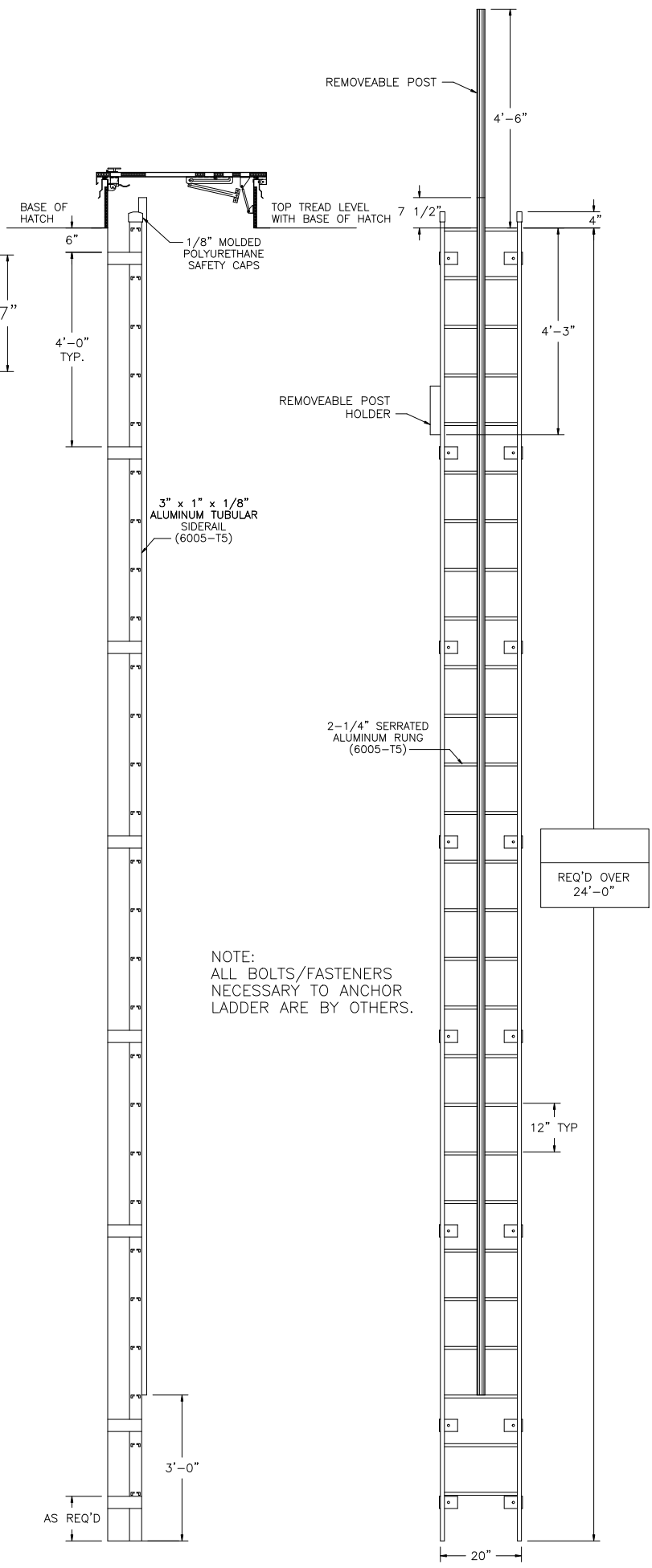
FAS INCLUDED PARTS

- CARRIER RAIL
- RUNG CLAMPS
- (2) LOCKING TROLLEYS
- SPLICE KIT (AS REQ'D)

ITEMS REQ'D BUT NOT INCLUDED

- (1) FULL BODY HARNESS WITH D-RING PER CLIMBER

FACTORY FINISH
ALUMINUM-MILL FINISH



NOTE:
ALL BOLTS/FASTENERS NECESSARY TO ANCHOR LADDER ARE BY OTHERS.

LADDER RATED AT 1,500 LBS

PRECISION REP		PROJECT		ARCHT OR ENGR.		DWG. CHECK	
SERIAL#	PURCHASER	WORK ORDER	PURCHASE ORDER	BUILT BY:	PRECISION LADDERS, LLC	LADDERS MANUFACTURED BY PRECISION LADDERS, LLC	
QTY.	MODEL#	DATE	DATE	CHECKED BY:	COMPLY WITH OSHA 1910 SUBPART D AND ANSI 14.3	P.O. BOX 2279 Morristown, TN 37816-2279	
FLH-	FLH-	4/4/19	DNH			Ph: (423) 586-2265 Fax: (423) 586-2091	
						www.PrecisionLadders.com	

