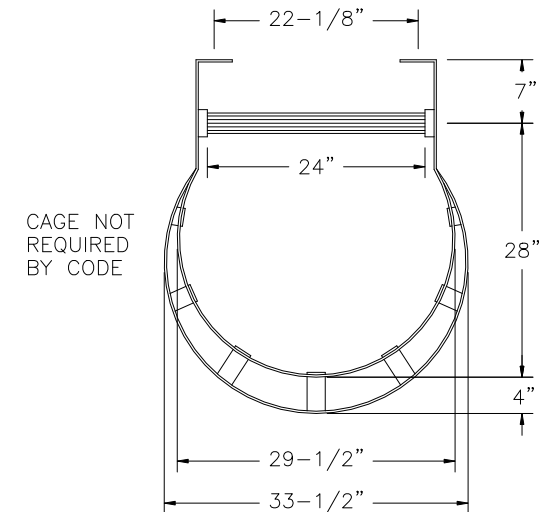
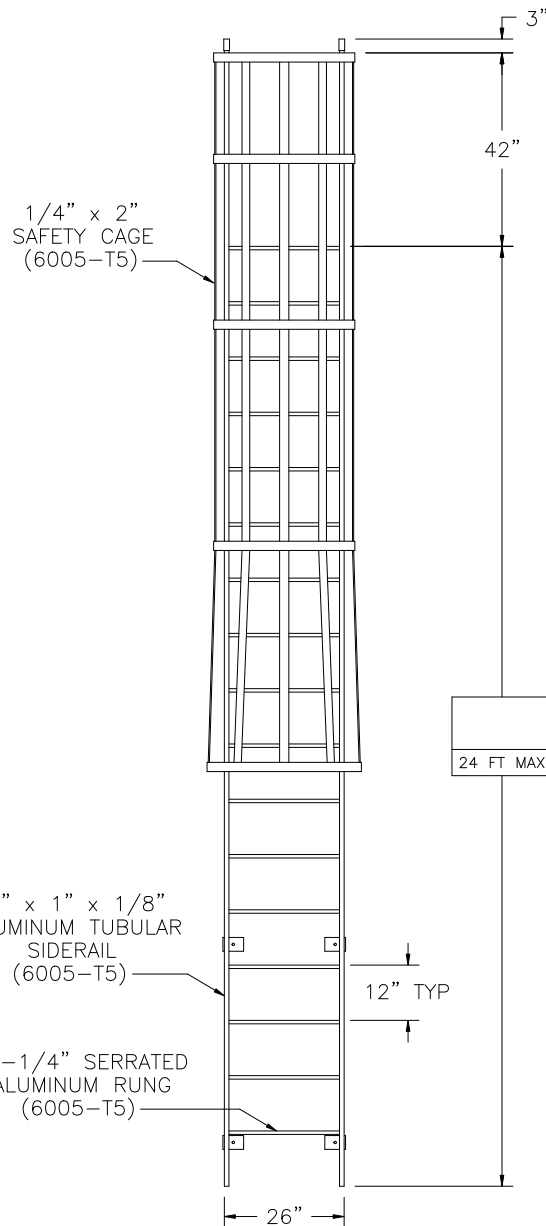
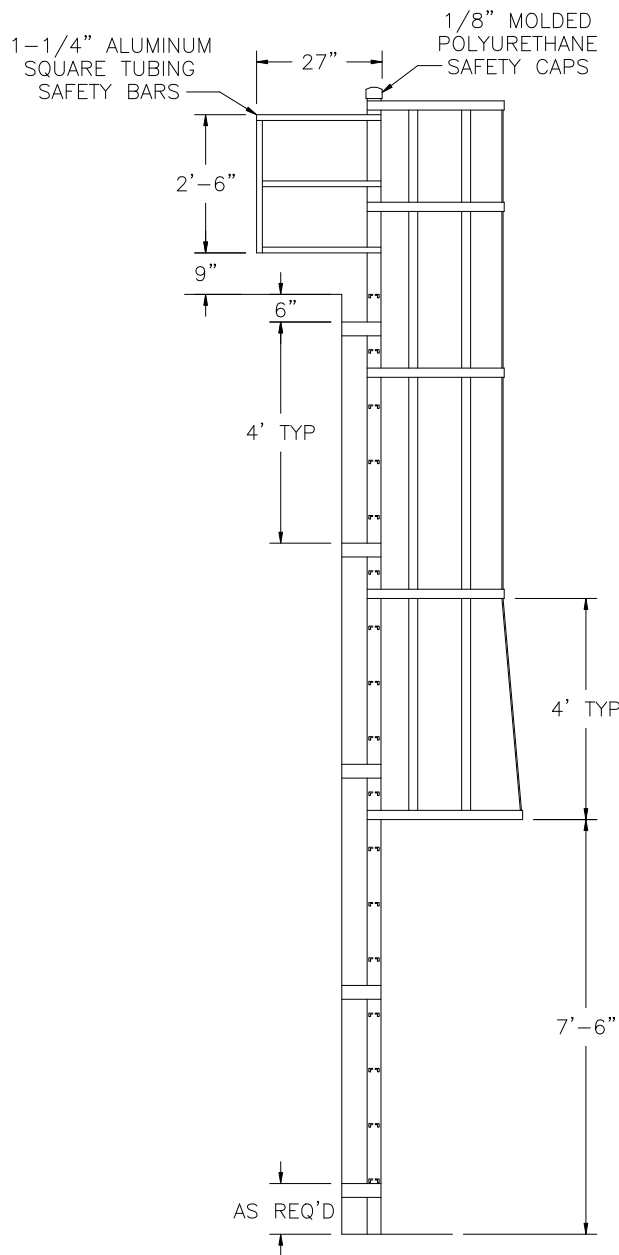


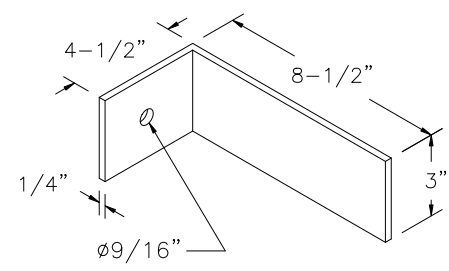
TUBULAR FIXED LADDER w/CAGE & WALK-THRU



CAGE NOT REQUIRED BY CODE

PLAN

(SAETY BARS OMITTED FOR CLARITY)



BRACKET DETAIL

NOTE:
ALL BOLTS/FASTENERS NECESSARY TO ANCHOR LADDER ARE BY OTHERS.

FACTORY FINISH
ALUMINUM-MILL FINISH FLH-06

NOTE: FALL ARREST SYSTEM REQUIRED ON LADDERS EXCEEDING 24'-0" (SEE DETAIL FLH-06-FAS)

LADDERS MANUFACTURED BY PRECISION LADDERS, LLC
COMPLY WITH OSHA 1910 SUBPART D AND ANSI 14.3

LADDER RATED AT 1,500 LBS



Precision Ladders, LLC
P.O. BOX 2279 Morristown, TN 37816-2279
Ph: (423) 586-2265 Fax: (423) 586-2091
www.PrecisionLadders.com

WORK ORDER: ()	DWG. CHECK	ARCH'T OR ENG'R.	PROJECT		PRECISION REP
	BUILT BY:	PURCHASE ORDER	DATE	PURCHASER	SERIAL#
	CHECKED BY:	DRAWN BY:	DATE	MODEL#	QTY.
		DNH	4/4/19	FL-	