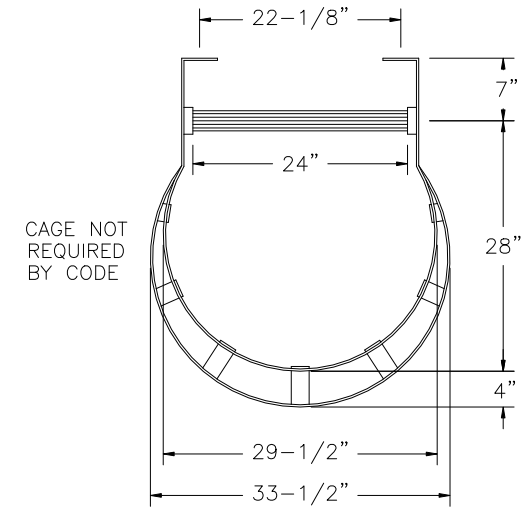
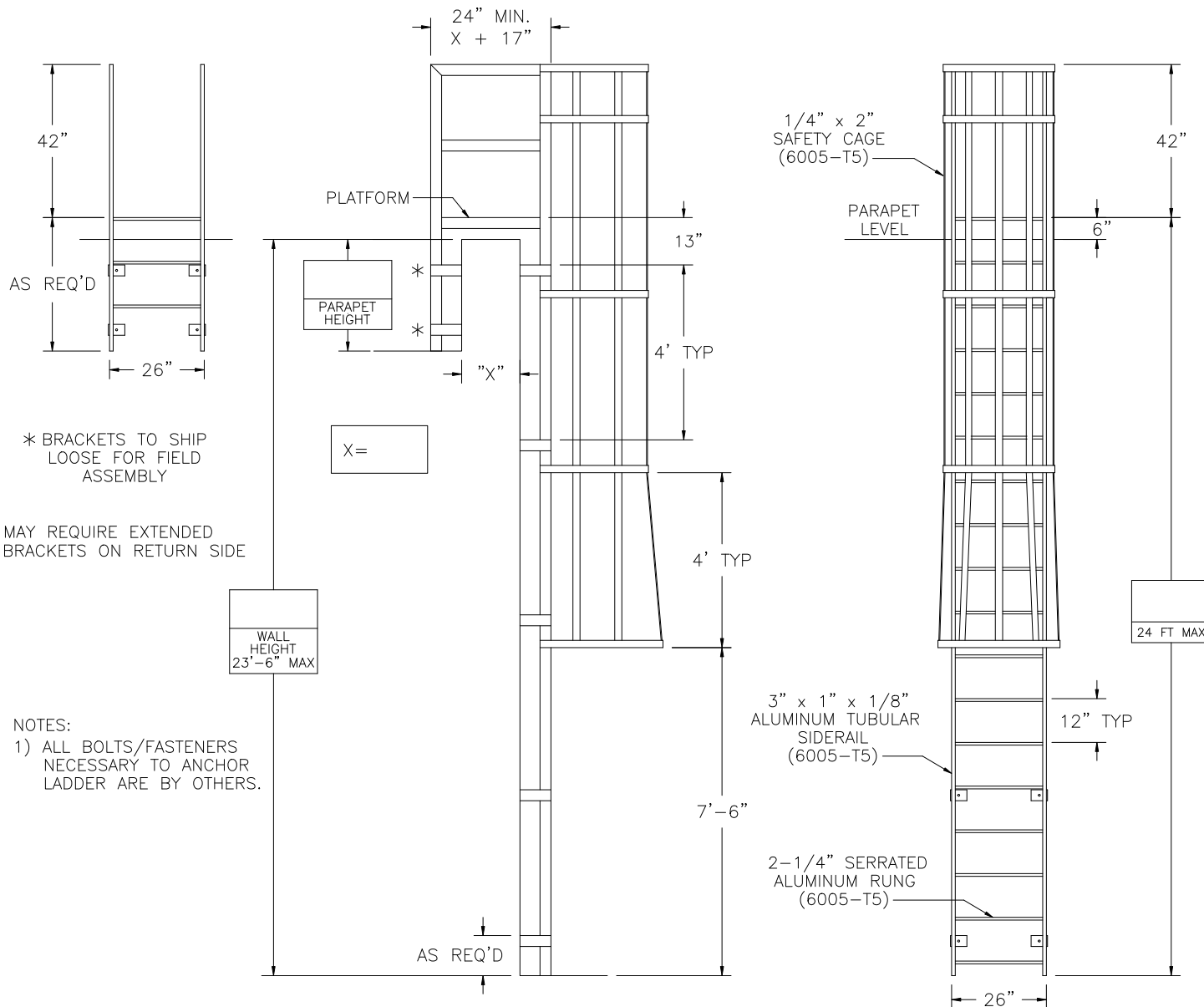
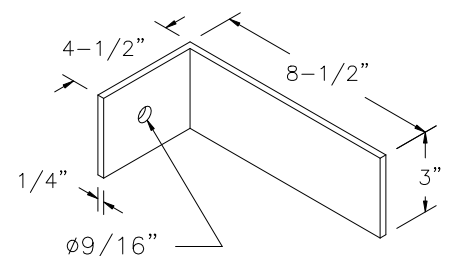


# TUBULAR FIXED LADDER w/CAGE, PLATFORM & ROOFSIDE RETURN



PLAN  
(PARAPET PLATFORM & RETURN LADDER ARE OMITTED FOR CLARITY)



BRACKET DETAIL

FACTORY FINISH  
ALUMINUM-MILL FINISH

\* BRACKETS TO SHIP LOOSE FOR FIELD ASSEMBLY

\* MAY REQUIRE EXTENDED BRACKETS ON RETURN SIDE

NOTES:  
1) ALL BOLTS/FASTENERS NECESSARY TO ANCHOR LADDER ARE BY OTHERS.

WALL HEIGHT  
23'-6" MAX

X=

NOTE: FALL ARREST SYSTEM REQUIRED ON LADDERS EXCEEDING 24'-0" (SEE DETAIL FLH-09-FAS)

LADDERS MANUFACTURED BY PRECISION LADDERS, LLC  
COMPLY WITH OSHA 1910 SUBPART D AND ANSI 14.3

LADDER RATED AT 1,500 LBS

Precision Ladders, LLC  
P.O. BOX 2279 Morristown, TN 37816-2279  
Ph: (423) 586-2265 Fax: (423) 586-2091  
www.PrecisionLadders.com

WORK ORDER: ( )

DWG. CHECK	ARCHT OR ENG'R.	PROJECT	PRECISION REP
BUILT BY:	PURCHASE ORDER	REVISION	PURCHASER
CHECKED BY:	DRAWN BY: DNH	DATE 4/4/19	MODEL# FL-
		QTY.	SERIAL#

FLH-09