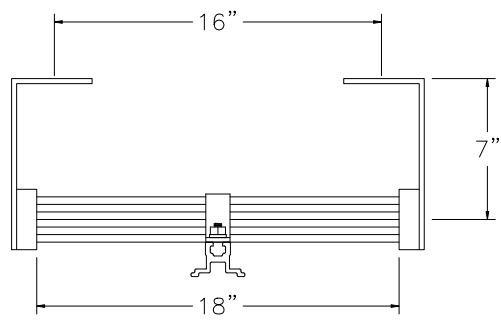
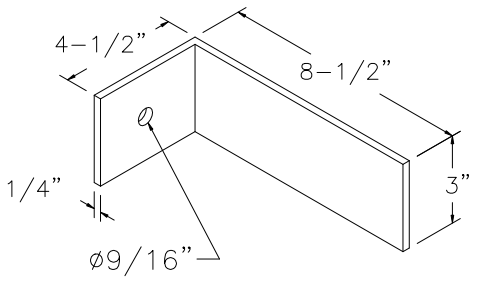


TUBULAR FIXED LADDER w/OVERSHOOT & FALL ARREST SYSTEM

FLH-13-FAS



PLAN



BRACKET DETAIL

NOTE:
ALL BOLTS/FASTENERS
NECESSARY TO ANCHOR
LADDER ARE BY OTHERS.

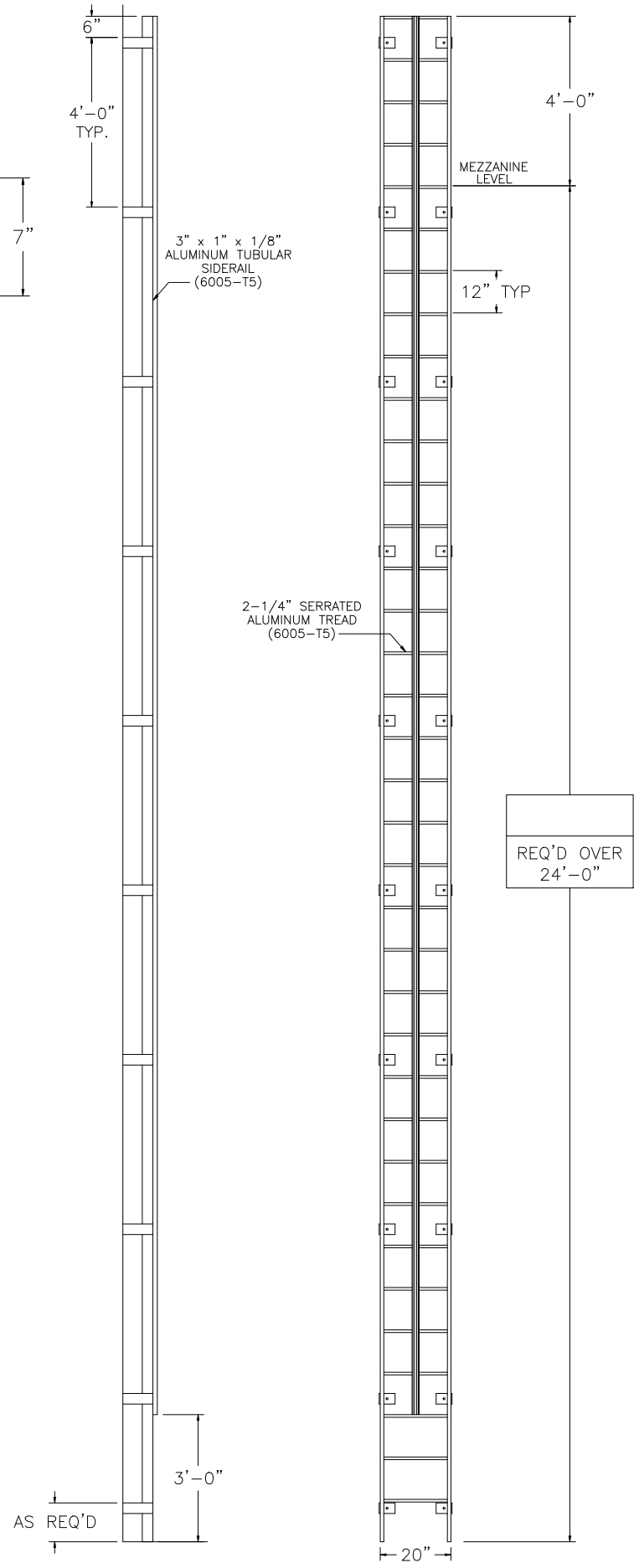
FAS INCLUDED PARTS

- CARRIER RAIL
- RUNG CLAMPS
- (2) LOCKING TROLLEYS
- SPLICE KIT (AS REQ'D)

ITEMS REQ'D BUT NOT INCLUDED

- (1) FULL BODY HARNESS WITH D-RING PER CLIMBER

FACTORY FINISH
ALUMINUM-MILL FINISH



LADDER RATED AT 1,500 LBS

LADDERS MANUFACTURED BY PRECISION LADDERS, LLC
COMPLY WITH OSHA 1910 SUBPART D AND ANSI 14.3

PROJECT		PRECISION REP	
WORK ORDER	PURCHASER	SERIAL#	
DATE	MODEL#	QTY.	FLH-
ARCHT OR ENGR.		DNH	
DWG. CHECK		BUILT BY:	
PURCHASE ORDER		CHECKED BY:	
DRAWN BY:		WORK ORDER: ()	
Precision Ladders, LLC P.O. BOX 2279 Morristown, TN 37816-2279 Ph: (423) 586-2265 Fax: (423) 586-2091 www.PrecisionLadders.com			

