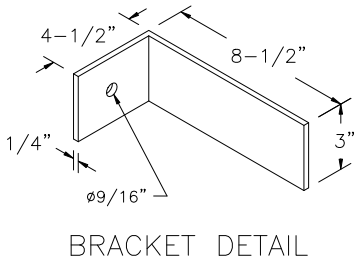
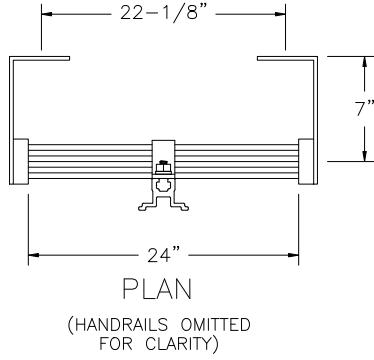


TUBULAR FIXED LADDER w/WALK-THRU & FALL ARREST SYSTEM

FLH-06-FAS

NOTE:
ALL BOLTS/FASTENERS
NECESSARY TO ANCHOR
LADDER ARE BY OTHERS.



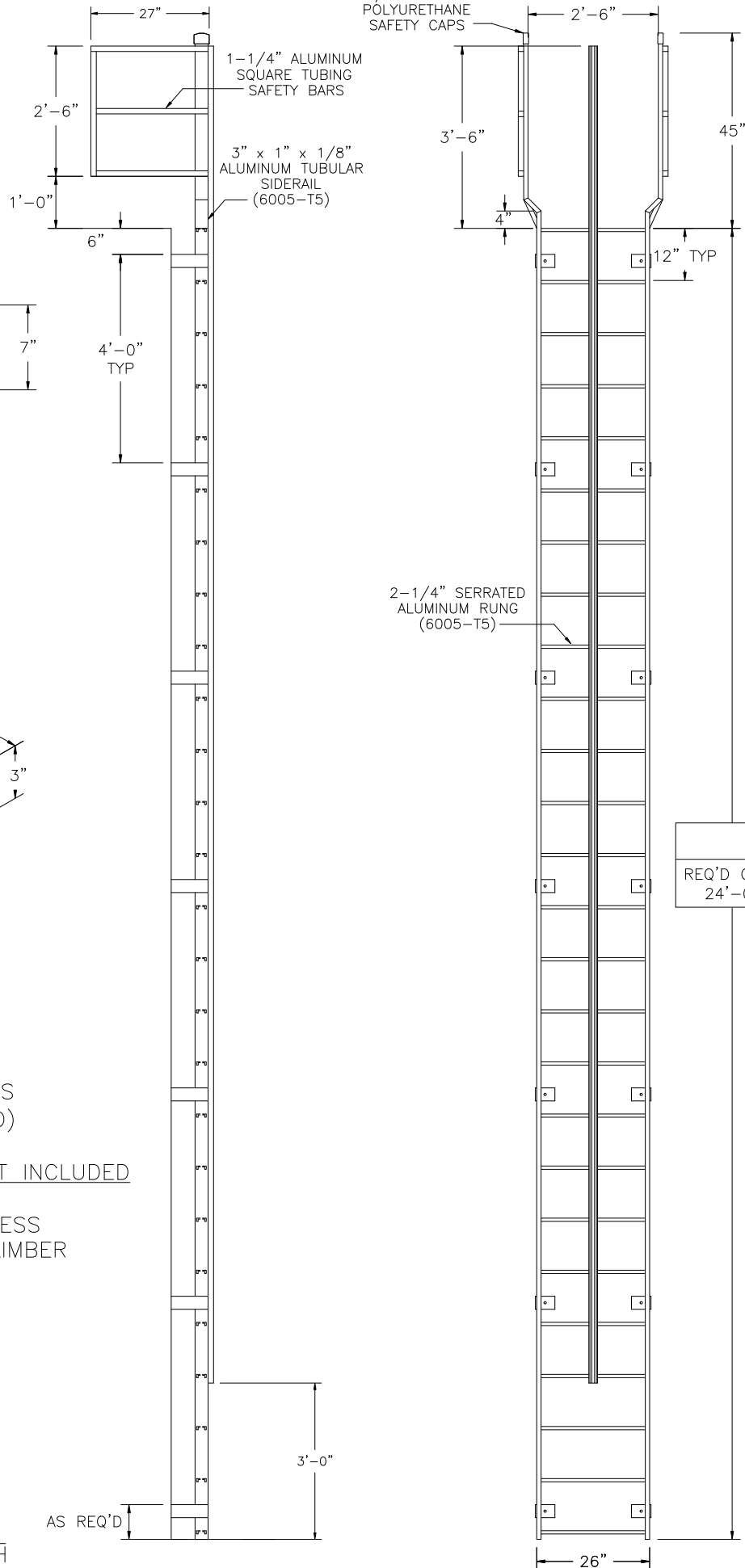
FAS INCLUDED PARTS

- CARRIER RAIL
- RUNG CLAMPS
- (2) LOCKING TROLLEYS
- SPLICE KIT (AS REQ'D)

ITEMS REQ'D BUT NOT INCLUDED

- (1) FULL BODY HARNESS WITH D-RING PER CLIMBER

FACTORY FINISH
ALUMINUM-MILL FINISH



LADDER RATED AT 1,500 LBS

PROJECT		PRECISION REP	
ARCHT OR ENGR.		PURCHASER	
PURCHASE ORDER		SERIAL#	
DRAWN BY: DNH		MODEL#	
DATE: 2/11/19		QTY.	
DWG. CHECK		FLH-	
BUILT BY:		FLH-	
CHECKED BY:		FLH-	
WORK ORDER: ()		FLH-	

LADDERS MANUFACTURED BY PRECISION LADDERS, LLC
COMPLY WITH OSHA 1910 SUBPART D AND ANSI 14.3

Precision Ladders, LLC
 P.O. BOX 2279 Morristown, TN 37816-2279
 Ph: (423) 586-2265 Fax: (423) 586-2091
 www.PrecisionLadders.com

