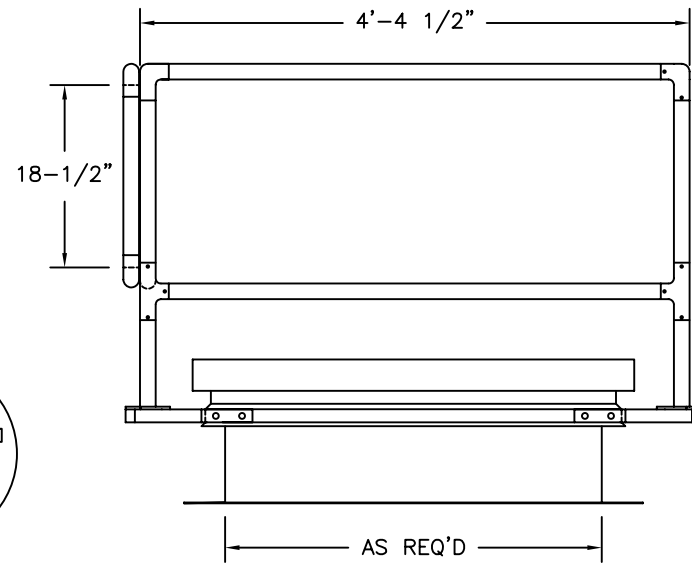
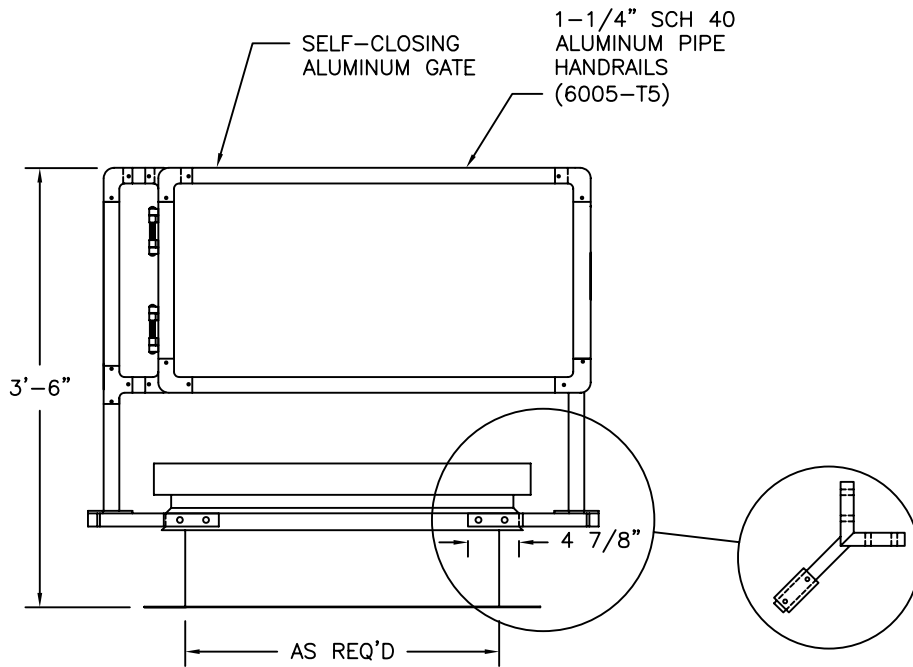
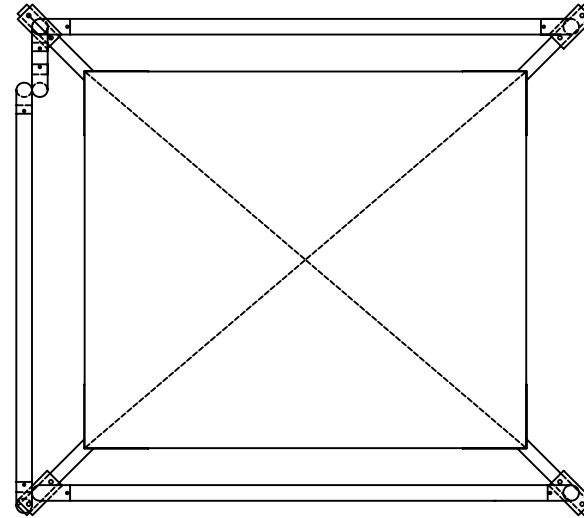


ROOF HATCH GUARD-RAIL SYSTEM

OSHA GUIDELINE:
THIS HANDRAIL SYSTEM HAS
BEEN TESTED TO WITHSTAND
200# LOADING IN ANY
DIRECTION.

NOTE:
SOME SIDE LENGTHS MAY
REQUIRE A MIDDLE POST
(NOT SHOWN)



FACTORY FINISH
ALUMINUM-MILL FINISH

AGRS-H

 Precision Ladders, LLC
P.O. BOX 2279 Morristown, TN 37816-2279
Ph: (423) 586-2265 Fax: (423) 586-2091
www.PrecisionLadders.com

WORK ORDER: ()	DWG. CHECK	ARCH'T OR ENG'R.	PROJECT		PRECISION REP
	BUILT BY:	PURCHASE ORDER	REVISION	PURCHASER	SERIAL#
	CHECKED BY:	DRAWN BY: DNH	DATE 11/19/15	MODEL# AGRS-	QTY.