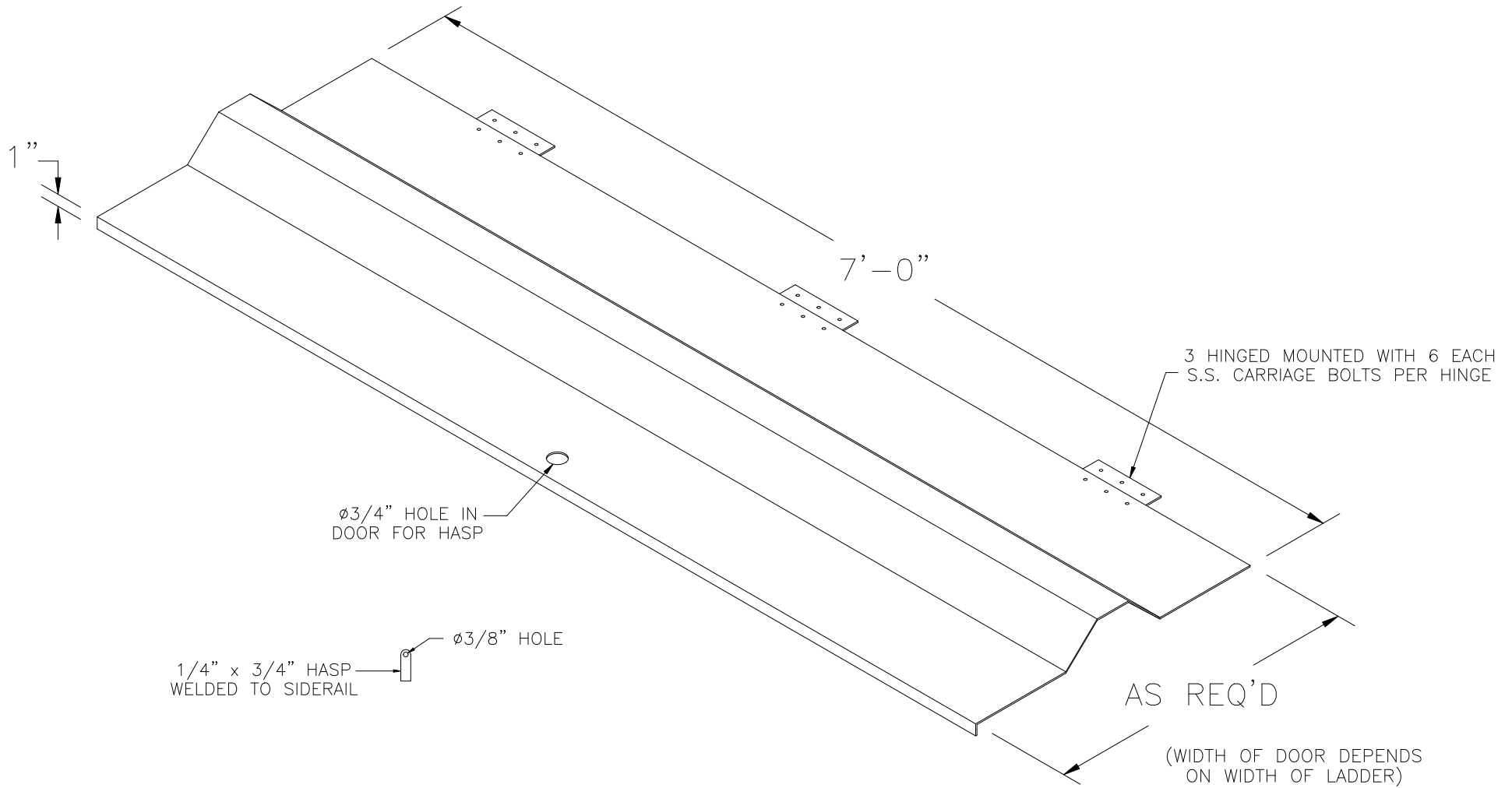


ALUMINUM SECURITY DOOR FOR FALL ARREST SYSTEM

1/8" thick ALUMINUM




STANDARD-HINGED ON LEFT SIDE

FACTORY FINISH
ALUMINUM-MILL FINISH

NOT TO SCALE

SD-01-FAS

 <p>Precision Ladders, LLC P.O. BOX 2279 Morristown, TN 37816-2279 Ph: (423) 586-2265 Fax: (423) 586-2091 www.PrecisionLadders.com</p>	WORK ORDER: ()	DWG. CHECK	ARCH'T OR ENG'R.	PROJECT		PRECISION REP
		BUILT BY:	PURCHASE ORDER	REVISION	PURCHASER	SERIAL#
		CHECKED BY:	DRAWN BY: DNH	DATE 3/14/19	MODEL# SECURITY DOOR	QTY.