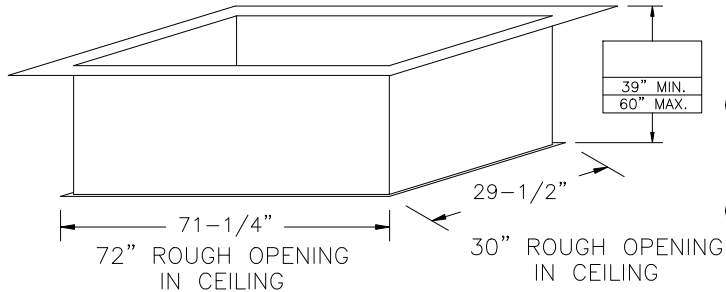


S4000 AUTOMATIC SUPER SIMPLEX STAIRWAY w/NON-RATED ALUMINUM DOOR

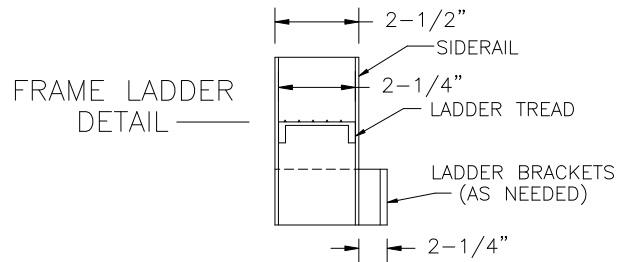
(USE THIS DRAWING FOR CEILING HEIGHTS BETWEEN 12'-1" TO 13'-6")

FIVE INCH FLANGE
ALL AROUND TOP
ONE INCH FLANGE
ALL AROUND BOTTOM



SPECIAL DEEP BOX FRAME

1/8" STEEL, TO CONTAIN ALUMINUM SUPER SIMPLEX FOLDING STAIRWAY CUT FOR EXACT FINISHED CEILING HEIGHT. THIS FRAME, WITH FACTORY INSTALLED BUILT-IN TREADS, PROVIDES STEPS FROM THE DROPPED-CEILING LINE TO THE UPPER FLOOR.



FRAME LADDER DETAIL

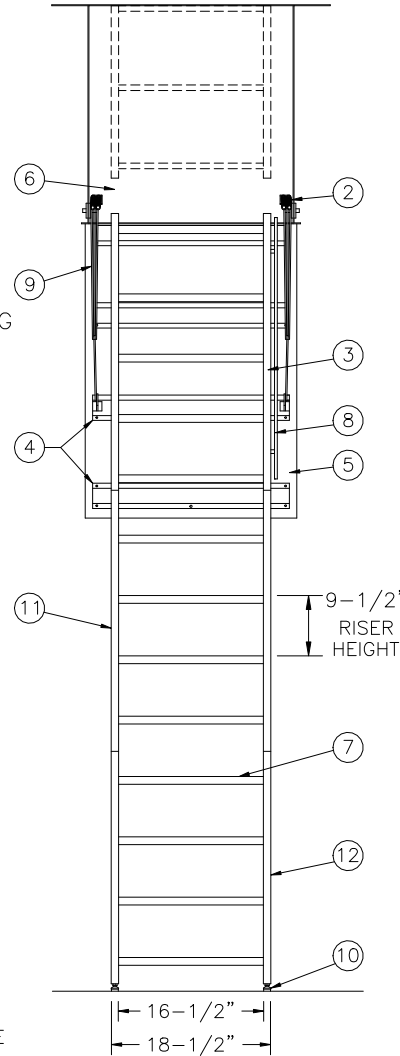
NOTES

IF FLOOR ABOVE IS MORE THAN 12" ABOVE CEILING LINE, 63 DEGREE ANGLE FRAME IS RECOMMENDED.

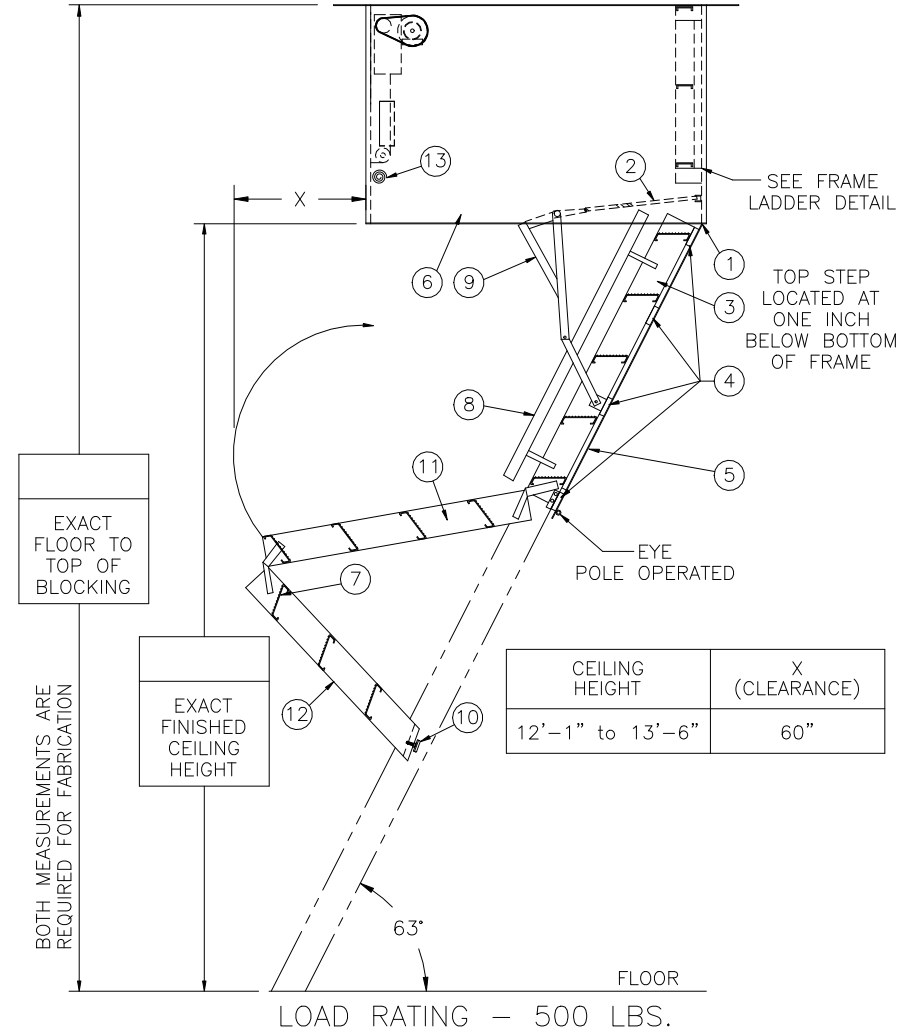
DIMENSIONS ON THIS DRAWING PERTAIN ONLY TO CEILING HEIGHTS BETWEEN 12'-1" AND 13'-6" WITH A 39" MIN. FRAME SHIPS COMPLETELY ASSEMBLED AS ONE UNIT.

MOTOR REQUIRES STANDARD 120V/30A CIRCUIT

MODEL S4000 STAIRWAYS ARE ELECTRICALLY OPERATED VIA WIRELESS KEYPAD. ONCE A CORRECT CODE IS KEYED, THE DOOR PANEL OPENS (OR CLOSES) AND THE STAIR SECTIONS UNFOLD (OR FOLD UP).



NOT DESIGNED FOR
ATTACHMENTS TO
DOOR PANEL



CEILING HEIGHT	X (CLEARANCE)
12'-1" to 13'-6"	60"

LADDER LEGEND

1. STEEL PIANO DOOR HINGE
2. DOUBLE SPRING ACTION
3. SIDE RUNNER 5" ALUM.
4. BATTEN 1/8" ALUM.
5. DOOR PANEL 1/8" ALUM.
6. STEEL BOX FRAME
7. TREAD (SERRATED ALUM.)
8. HANDRAIL ON RIGHT SIDE ONLY
9. EXTRA HEAVY OPERATING ARM
10. ADJUSTABLE FOOT
11. MIDDLE SECTION
12. BOTTOM SECTION
13. EMERGENCY RELEASE CABLE

NOT TO SCALE
xref BORDER.DWG

S-4162-BDH-30