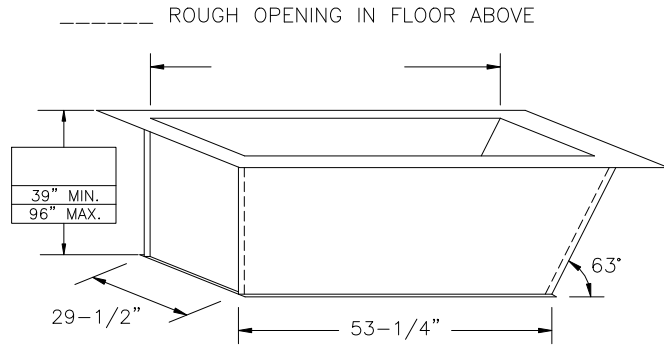


# S4000 AUTOMATIC SUPER SIMPLEX STAIRWAY W/ NON-RATED ALUMINUM DOOR

(USE THIS DRAWING FOR CEILING HEIGHTS 9'-9" OR LESS)

(DOOR CABLE SYS NOT SHOWN)

FIVE INCH FLANGE AROUND TOP  
ONE INCH FLANGE AROUND BOTTOM



30" x 54" REQUIRED  
ROUGH OPENING IN CEILING

## SPECIAL DEEP FRAME

1/8" STEEL, 63 DEGREE ANGLE ONE END, 90 DEGREE OTHER END, TO CONTAIN SUPER SIMPLEX FOLDING STAIRWAY CUT FOR EXACT FINISHED CEILING HEIGHT. THIS FRAME, WITH FACTORY INSTALLED BUILT-IN TREADS, PROVIDES STEPS FROM THE DROPPED-CEILING LINE TO THE UPPER FLOOR.

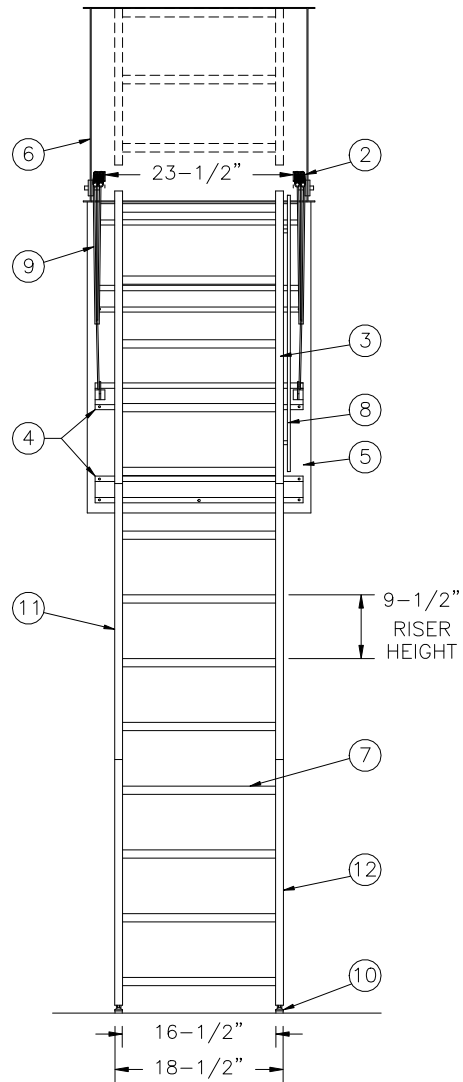
## NOTES

DIMENSIONS ON THIS DRAWING PERTAIN ONLY TO CEILING HEIGHTS BETWEEN 7'-1" AND 9'-9"

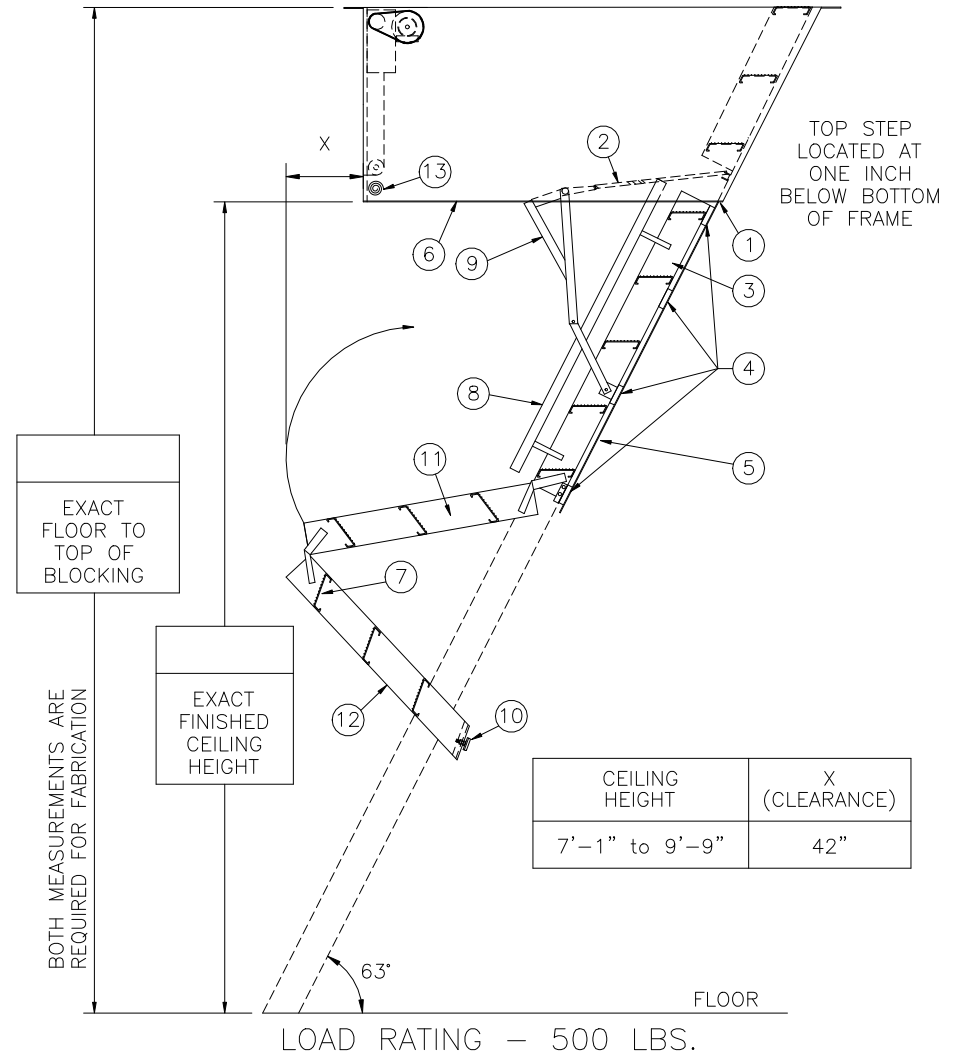
SHIPS COMPLETELY ASSEMBLED AS ONE UNIT

MOTOR REQUIRES STANDARD 120V/30A CIRCUIT

MODEL S4000 STAIRWAYS ARE ELECTRICALLY OPERATED VIA WIRELESS KEYPAD. ONCE A CORRECT CODE IS KEYED, THE DOOR PANEL OPENS (OR CLOSES) AND THE STAIR SECTIONS UNFOLD (OR FOLD UP).



NOT DESIGNED FOR  
ATTACHMENTS TO  
DOOR PANEL



CEILING HEIGHT	X (CLEARANCE)
7'-1" to 9'-9"	42"

## LADDER LEGEND

- |                           |                              |
|---------------------------|------------------------------|
| 1. STEEL PIANO DOOR HINGE | 7. TREAD (SERRATED ALUM.)    |
| 2. DOUBLE SPRING ACTION   | 8. HANDRAIL RIGHT SIDE ONLY  |
| 3. SIDE RUNNER 5" ALUM.   | 9. EXTRA HEAVY OPERATING ARM |
| 4. BATTEN 1/8" ALUM.      | 10. ADJUSTABLE FOOT          |
| 5. DOOR PANEL 1/8" ALUM.  | 11. MIDDLE SECTION           |
| 6. STEEL ANGLE FRAME      | 12. BOTTOM SECTION           |
|                           | 13. EMERGENCY RELEASE CABLE  |

S-4117-AH-30

NOT TO SCALE

**Precision Ladders, LLC**  
 P.O. BOX 2279 Morristown, TN 37816-2279  
 Ph: (423) 586-2265 Fax: (423) 586-2091  
 www.PrecisionLadders.com

WORK ORDER: ( )

DWG. CHECK	ARCHT OR ENG'R.	PROJECT		PRECISION REP
BUILT BY:	PURCHASE ORDER SIGNED QUOTE	REVISION	PURCHASER	SERIAL#
CHECKED BY:	DRAWN BY: DNH	DATE 10/3/19	MODEL# S4	QTY. 1