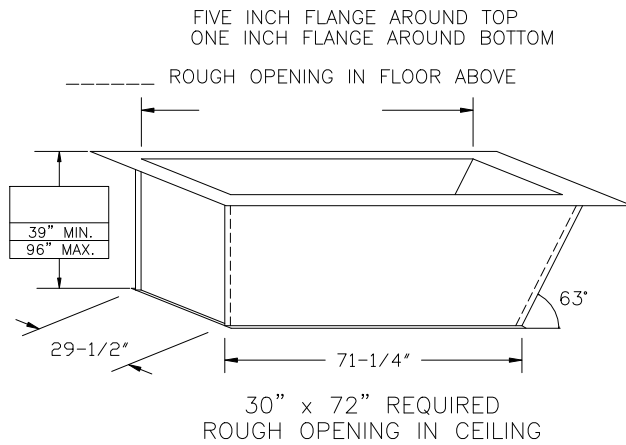


# S4000 AUTOMATIC SUPER SIMPLEX STAIRWAY w/NON-RATED ALUMINUM DOOR

(USE THIS DRAWING FOR CEILING HEIGHTS BETWEEN 12'-1" TO 13'-6")

(DOOR CABLE SYS NOT SHOWN)



## SPECIAL DEEP FRAME

1/8" STEEL, 63 DEGREE ANGLE ONE END, 90 DEGREE OTHER END, TO CONTAIN SUPER SIMPLEX FOLDING STAIRWAY CUT FOR EXACT FINISHED CEILING HEIGHT. THIS FRAME, WITH FACTORY INSTALLED BUILT-IN TREADS, PROVIDES STEPS FROM THE DROPPED-CEILING LINE TO THE UPPER FLOOR.

## NOTES

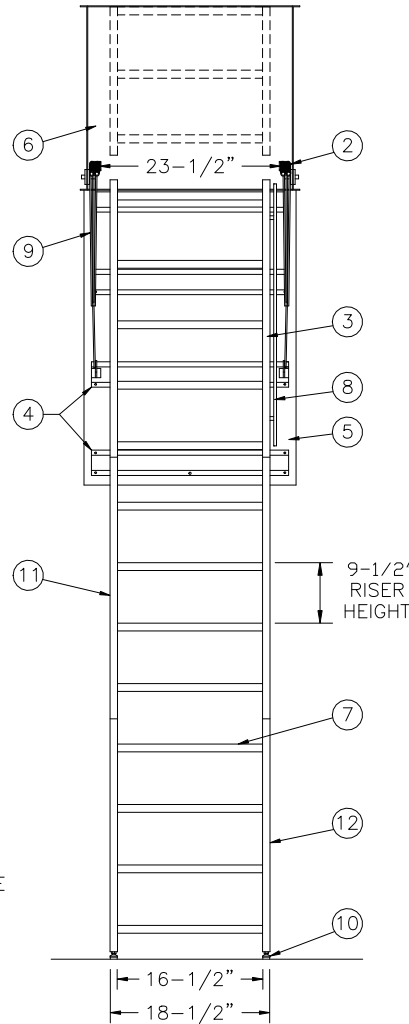
DIMENSIONS ON THIS DRAWING PERTAIN ONLY TO CEILING HEIGHTS BETWEEN 12'-1" AND 13'-6"

MANUFACTURER RECOMMENDS THAT 2 PEOPLE OPEN/CLOSE UNITS INSTALLED IN CEILINGS 11' & OVER.

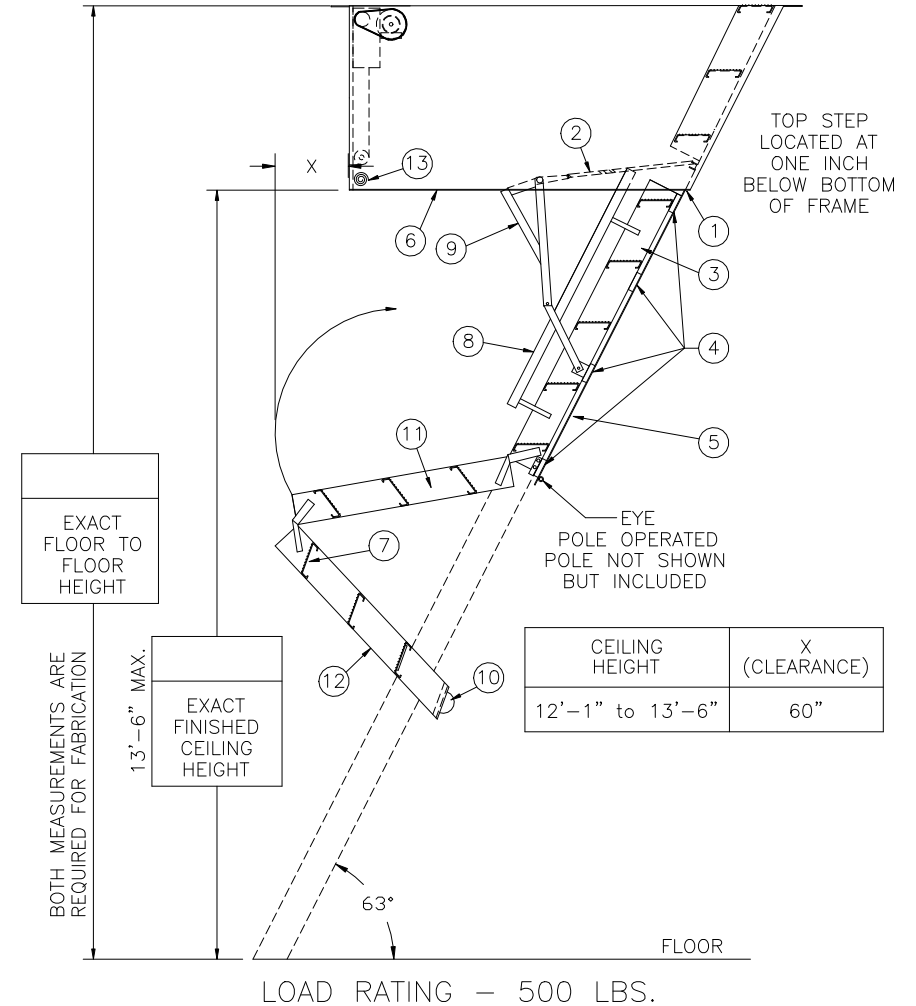
SHIPS COMPLETELY ASSEMBLED AS ONE UNIT

MOTOR REQUIRES STANDARD 120V/30A CIRCUIT

MODEL S4000 STAIRWAYS ARE ELECTRICALLY OPERATED VIA WIRELESS KEYPAD. ONCE A CORRECT CODE IS KEYED, THE DOOR PANEL OPENS (OR CLOSES) AND THE STAIR SECTIONS UNFOLD (OR FOLD UP).



NOT DESIGNED FOR ATTACHMENTS TO DOOR PANEL



CEILING HEIGHT	X (CLEARANCE)
12'-1" to 13'-6"	60"

## LADDER LEGEND

- |                           |                              |
|---------------------------|------------------------------|
| 1. STEEL PIANO DOOR HINGE | 8. HANDRAIL RIGHT SIDE ONLY  |
| 2. DOUBLE SPRING ACTION   | 9. EXTRA HEAVY OPERATING ARM |
| 3. SIDE RUNNER 5" ALUM.   | 10. ROLLER                   |
| 4. BATTEN 1/8" ALUM.      | 11. MIDDLE SECTION           |
| 5. DOOR PANEL 1/8" ALUM.  | 12. BOTTOM SECTION           |
| 6. STEEL ANGLE FRAME      | 13. EMERGENCY RELEASE CABLE  |
| 7. TREAD (SERRATED ALUM.) |                              |

NOT TO SCALE  
XP&F BORDER.DWG

S-4162-AH-30