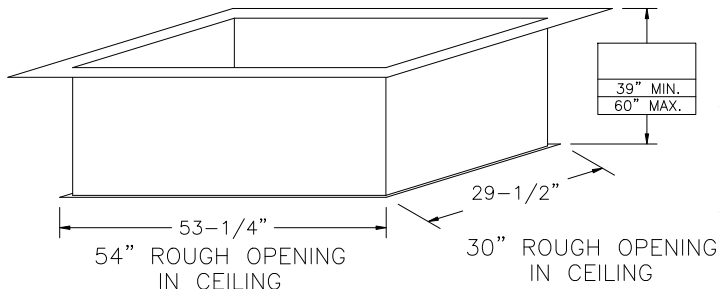


S4000 AUTOMATIC SUPER SIMPLEX STAIRWAY w/ NON-RATED ALUMINUM DOOR

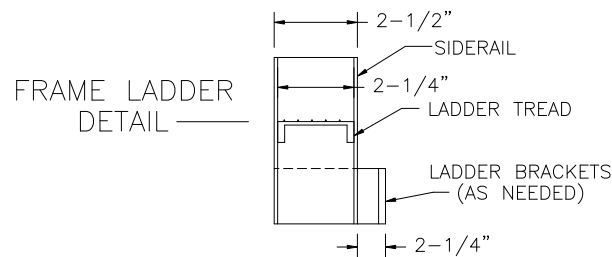
(USE THIS DRAWING FOR CEILING HEIGHTS 9'-9" OR LESS)

FIVE INCH FLANGE
ALL AROUND TOP
ONE INCH FLANGE
ALL AROUND BOTTOM



SPECIAL DEEP BOX FRAME

1/8" STEEL, TO CONTAIN ALUMINUM SUPER SIMPLEX FOLDING STAIRWAY CUT FOR EXACT FINISHED CEILING HEIGHT. THIS FRAME, WITH FACTORY INSTALLED BUILT-IN TREADS, PROVIDES STEPS FROM THE DROPPED-CEILING LINE TO THE UPPER FLOOR.



FRAME LADDER DETAIL

NOTES

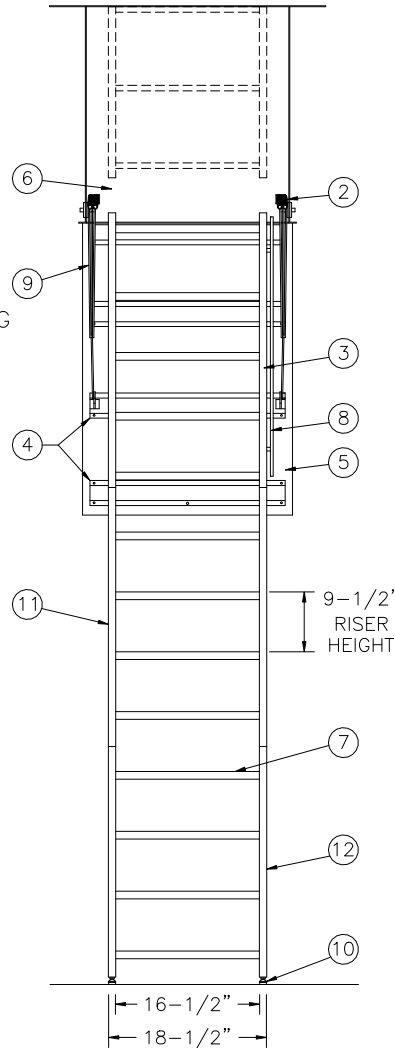
IF FLOOR ABOVE IS MORE THAN 12" ABOVE CEILING LINE, 63 DEGREE ANGLE FRAME IS RECOMMENDED.

DIMENSIONS ON THIS DRAWING PERTAIN ONLY TO CEILING HEIGHTS 9'-9" OR LESS WITH A 39" MIN. FRAME

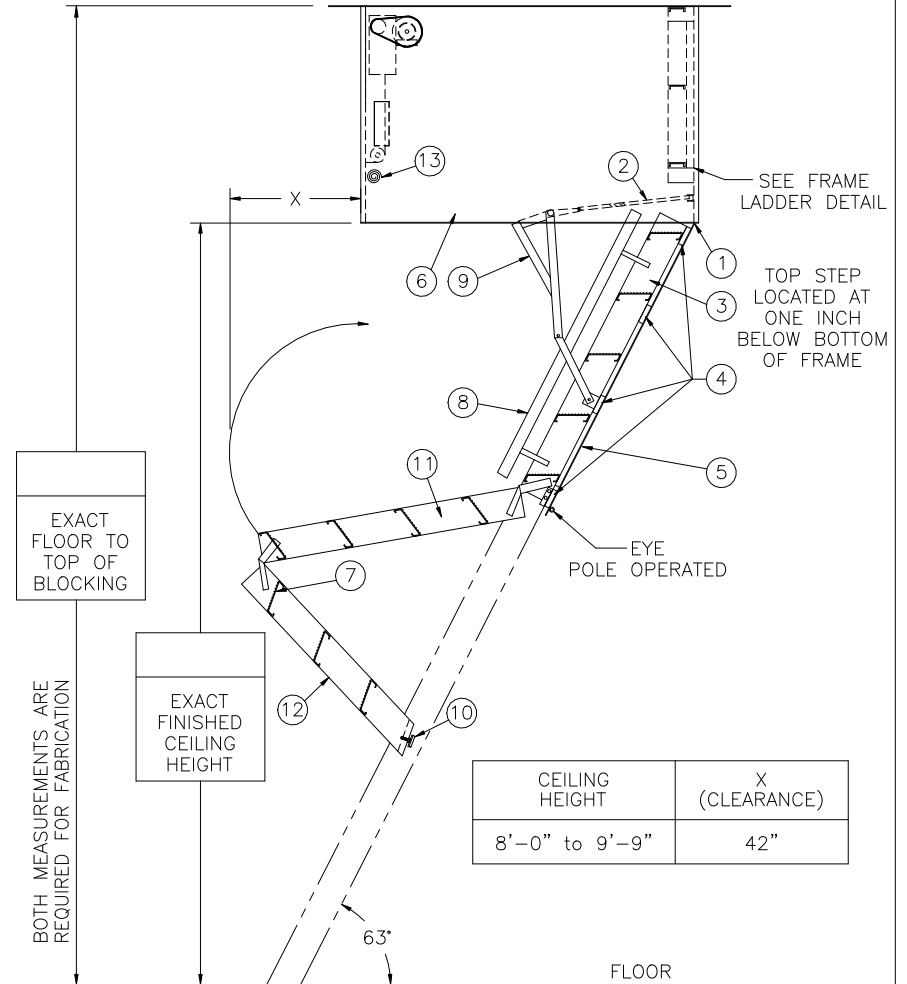
SHIPS COMPLETELY ASSEMBLED AS ONE UNIT.

MOTOR REQUIRES STANDARD 120V/30A CIRCUIT

MODEL S4000 STAIRWAYS ARE ELECTRICALLY OPERATED VIA WIRELESS KEYPAD. ONCE A CORRECT CODE IS KEYED, THE DOOR PANEL OPENS (OR CLOSES) AND THE STAIR SECTIONS UNFOLD (OR FOLD UP).



NOT DESIGNED FOR ATTACHMENTS TO DOOR PANEL



BOTH MEASUREMENTS ARE REQUIRED FOR FABRICATION

EXACT FLOOR TO TOP OF BLOCKING

EXACT FINISHED CEILING HEIGHT

CEILING HEIGHT	X (CLEARANCE)
8'-0" to 9'-9"	42"

LOAD RATING - 500 LBS.

LADDER LEGEND

- | | |
|---------------------------|--------------------------------|
| 1. STEEL PIANO DOOR HINGE | 7. TREAD (SERRATED ALUM.) |
| 2. DOUBLE SPRING ACTION | 8. HANDRAIL ON RIGHT SIDE ONLY |
| 3. SIDE RUNNER 5" ALUM. | 9. EXTRA HEAVY OPERATING ARM |
| 4. BATTEN 1/8" ALUM. | 10. ADJUSTABLE FOOT |
| 5. DOOR PANEL 1/8" ALUM. | 11. MIDDLE SECTION |
| 6. STEEL BOX FRAME | 12. BOTTOM SECTION |
| | 13. EMERGENCY RELEASE CABLE |

NOT TO SCALE

S-4117-BDH-30



Precision Ladders, LLC

P.O. BOX 2279 Morristown, TN 37816-2279
Ph: (423) 586-2265 Fax: (423) 586-2091
www.PrecisionLadders.com

WORK ORDER: ()

DWG. CHECK	ARCH'T OR ENGR.	PROJECT	PRECISION REP
BUILT BY:	PURCHASE ORDER	WORK ORDER	PURCHASER
CHECKED BY:	DRAWN BY:	DATE 10/3/09	MODEL# S4
		QTY.	SERIAL#