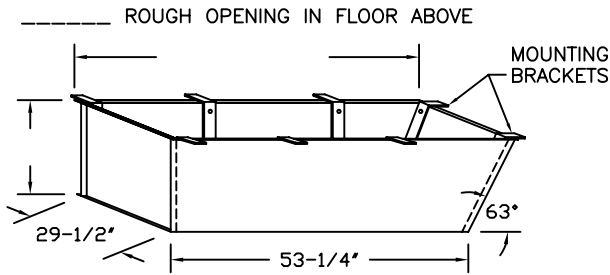


SS-4000 AUTOMATIC SUPER SIMPLEX STAIRWAY WITH DEEP ANGLE FRAME

(USE THIS DRAWING FOR CEILING HEIGHTS 9'-9" OR LESS)

ONE INCH FLANGE
ALL AROUND
TOP & BOTTOM



30" x 54" REQUIRED
ROUGH OPENING IN CEILING

SPECIAL DEEP FRAME

1/8" STEEL, 63 DEGREE ANGLE ONE END, 90 DEGREE OTHER END, TO CONTAIN SUPER SIMPLEX FOLDING STAIRWAY CUT FOR EXACT FINISHED CEILING HEIGHT. THIS FRAME, WITH FACTORY INSTALLED BUILT-IN TREADS, PROVIDES STEPS FROM THE DROPPED-CEILING LINE TO THE UPPER FLOOR.

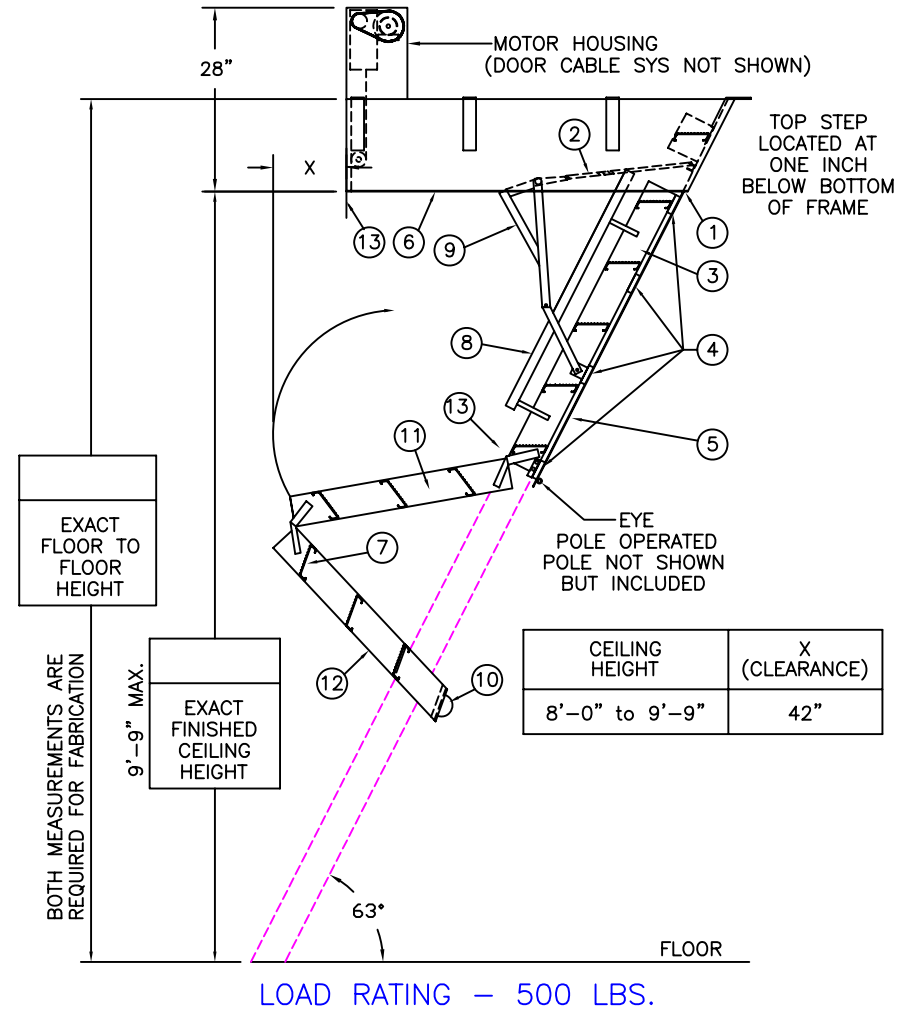
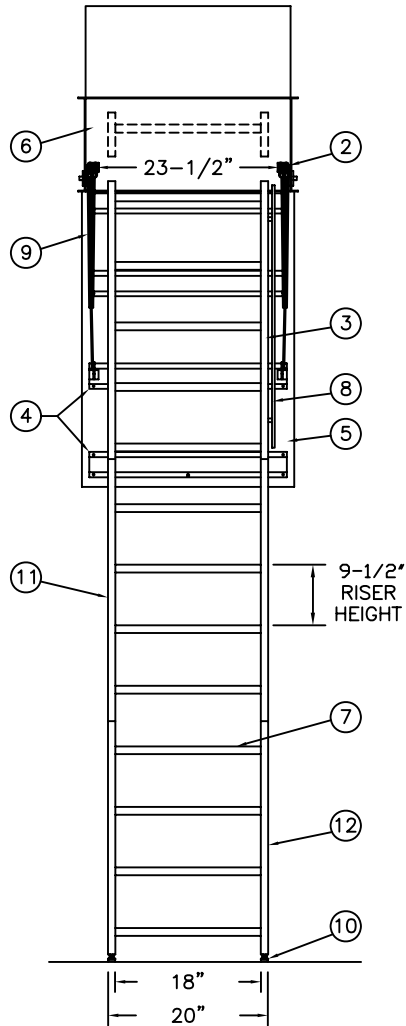
NOTES

DIMENSIONS ON THIS DRAWING PERTAIN ONLY TO CEILING HEIGHTS BETWEEN 8'-0" AND 9'-9"

SHIPS COMPLETELY ASSEMBLED AS ONE UNIT

MOTOR REQUIRES STANDARD 120V/30A CIRCUIT

MODEL SS4000 STAIRWAYS ARE ELECTRICALLY OPERATED VIA WIRELESS KEYPAD. ONCE A CORRECT CODE IS KEYED, THE DOOR PANEL OPENS (OR CLOSES) AND THE STAIR SECTIONS UNFOLD (OR FOLD UP).



CEILING HEIGHT	X (CLEARANCE)
8'-0" to 9'-9"	42"

LADDER LEGEND

- | | |
|---------------------------|------------------------------|
| 1. STEEL PIANO DOOR HINGE | 7. TREAD (SERRATED ALUM.) |
| 2. DOUBLE SPRING ACTION | 8. HANDRAIL RIGHT SIDE ONLY |
| 3. SIDE RUNNER 5" ALUM. | 9. EXTRA HEAVY OPERATING ARM |
| 4. BATTEN 1/8" ALUM. | 10. ROLLER |
| 5. DOOR PANEL 1/8" ALUM. | 11. MIDDLE SECTION |
| 6. STEEL ANGLE FRAME | 12. BOTTOM SECTION |
| | 13. EMERGENCY RELEASE CABLE |

NOT TO SCALE

Precision Ladders, LLC
P.O. BOX 2279 Morristown, TN 37816-2279
Ph: (423) 586-2265 Fax: (423) 586-2091
www.PrecisionLadders.com

WORK ORDER: ()	DWG. CHECK	ARCH'T OR ENG'R.	PROJECT	PRECISION REP
	BUILT BY:	PURCHASE ORDER	WORK ORDER	PURCHASER
	CHECKED BY:	DRAWN BY: DNH	DATE	MODEL# SS-4-
				QTY.
				SERIAL#

SS-4117-A-30