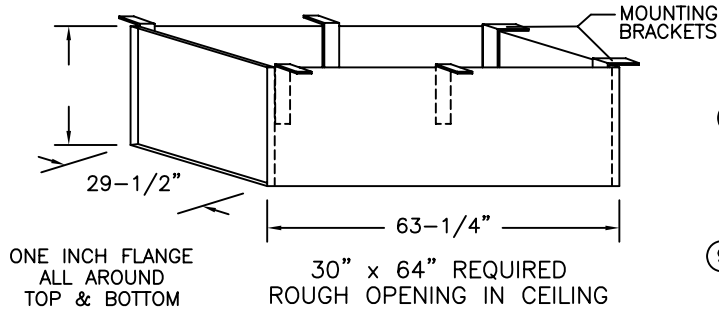
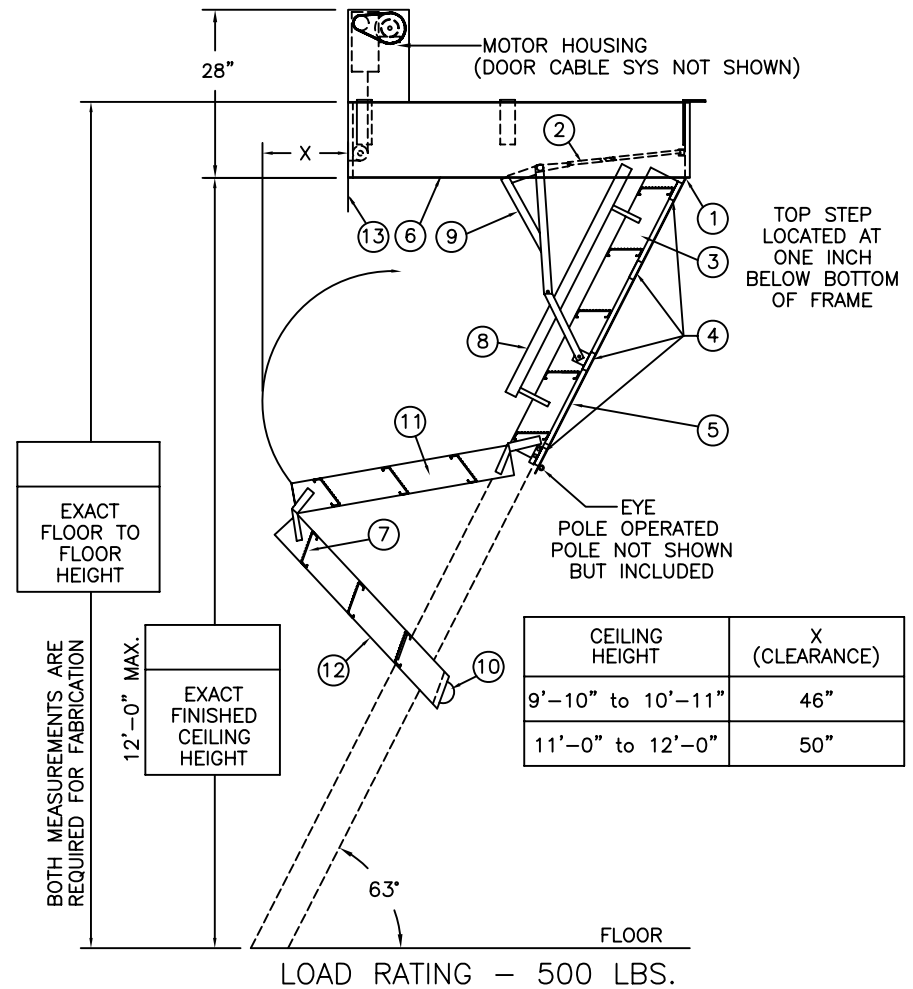
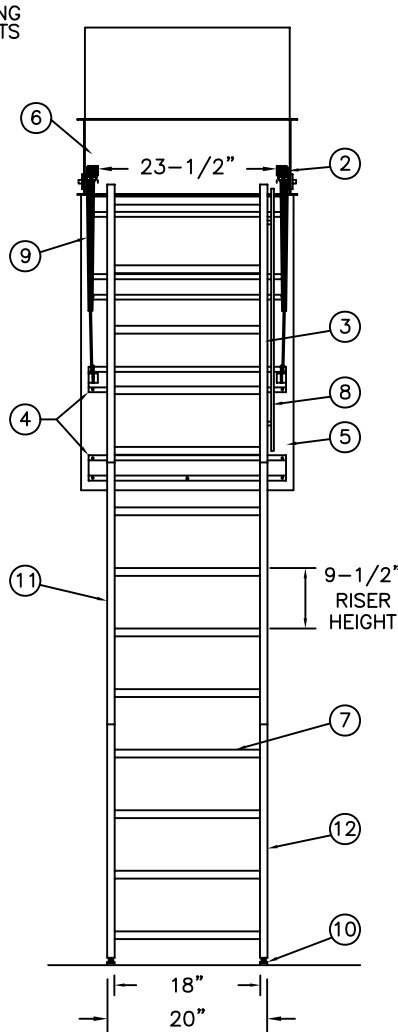


# SS-4000 AUTOMATIC SUPER SIMPLEX STAIRWAY WITH STANDARD BOX FRAME

(USE THIS DRAWING FOR CEILING HEIGHTS BETWEEN 9'-10" TO 12'-0")



**STANDARD BOX FRAME**  
 FABRICATED FROM 1/8" STEEL  
 THIS DRAWING ACCOMODATES FRAME DEPTHS FROM 6" TO 11".



## NOTES

IF FLOOR ABOVE IS MORE THAN 12" ABOVE CEILING LINE, 63 DEGREE ANGLE FRAME IS RECOMMENDED.

DIMENSIONS ON THIS DRAWING PERTAIN ONLY TO CEILING HEIGHTS BETWEEN 9'-10" AND 12'-0" WITH LESS THAN A 12" FRAME.

SHIPS COMPLETELY ASSEMBLED AS ONE UNIT.

MOTOR REQUIRES STANDARD 120V/30A CIRCUIT

MANUFACTURER RECOMMENDS THAT 2 PEOPLE OPEN/CLOSE UNITS INSTALLED IN CEILINGS 11" AND OVER.

MODEL SS4000 STAIRWAYS ARE ELECTRICALLY OPERATED VIA WIRELESS KEYPAD. ONCE A CORRECT CODE IS KEYED, THE DOOR PANEL OPENS (OR CLOSES) AND THE STAIR SECTIONS UNFOLD (OR FOLD UP).

## LADDER LEGEND

- |                           |                              |
|---------------------------|------------------------------|
| 1. STEEL PIANO DOOR HINGE | 8. HANDRAIL RIGHT SIDE ONLY  |
| 2. DOUBLE SPRING ACTION   | 9. EXTRA HEAVY OPERATING ARM |
| 3. SIDE RUNNER 5" ALUM.   | 10. ROLLER                   |
| 4. BATTEN 1/8" ALUM.      | 11. MIDDLE SECTION           |
| 5. DOOR PANEL 1/8" ALUM.  | 12. BOTTOM SECTION           |
| 6. STEEL BOX FRAME        | 13. EMERGENCY RELEASE CABLE  |
| 7. TREAD (SERRATED ALUM.) |                              |

NOT TO SCALE

S-4144-B-30