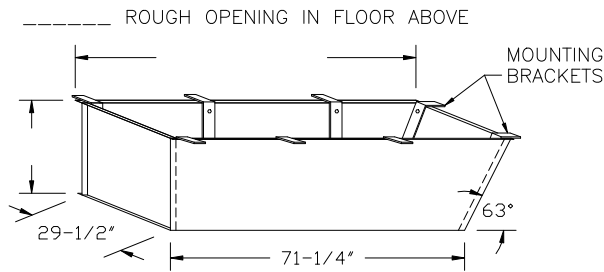


SS-4000 AUTOMATIC SUPER SIMPLEX STAIRWAY WITH DEEP ANGLE FRAME

(USE THIS DRAWING FOR CEILING HEIGHTS BETWEEN 12'-1" TO 13'-6")

ONE INCH FLANGE
ALL AROUND
TOP & BOTTOM



30" x 72" REQUIRED
ROUGH OPENING IN CEILING

SPECIAL DEEP FRAME

1/8" STEEL, 63 DEGREE ANGLE ONE END, 90 DEGREE OTHER END, TO CONTAIN SUPER SIMPLEX FOLDING STAIRWAY CUT FOR EXACT FINISHED CEILING HEIGHT. THIS FRAME, WITH FACTORY INSTALLED BUILT-IN TREADS, PROVIDES STEPS FROM THE DROPPED-CEILING LINE TO THE UPPER FLOOR.

NOTES

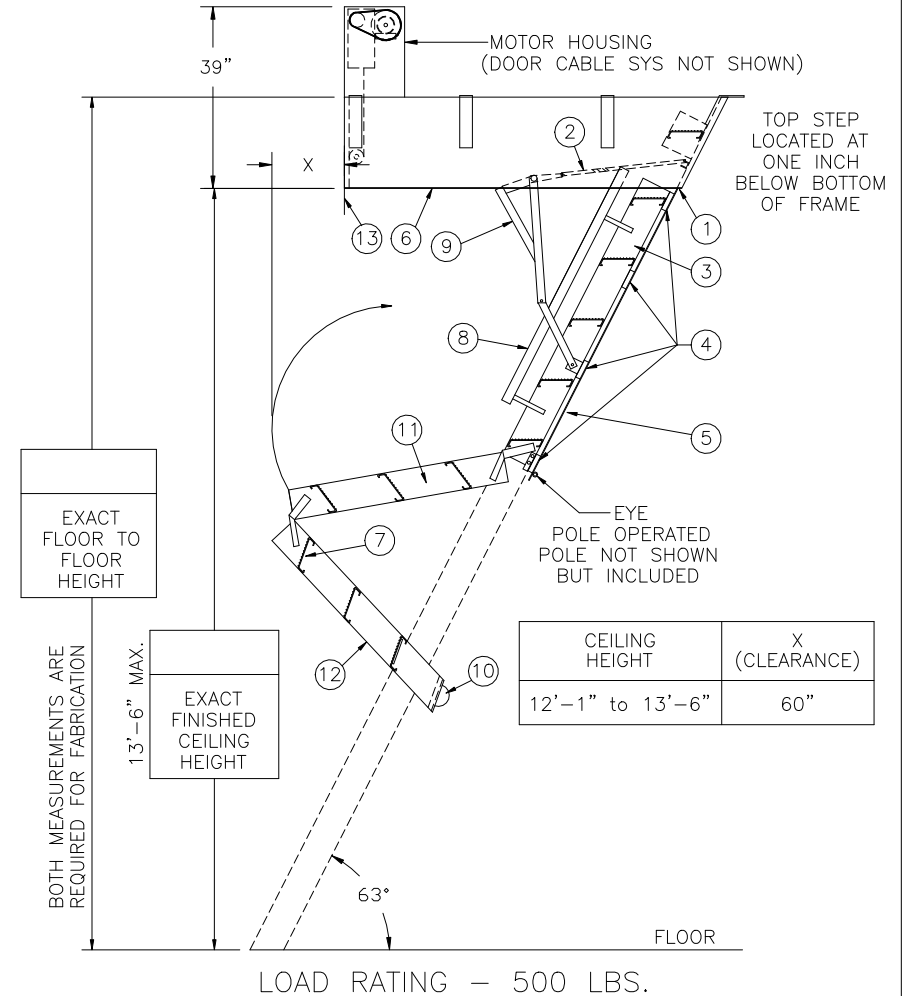
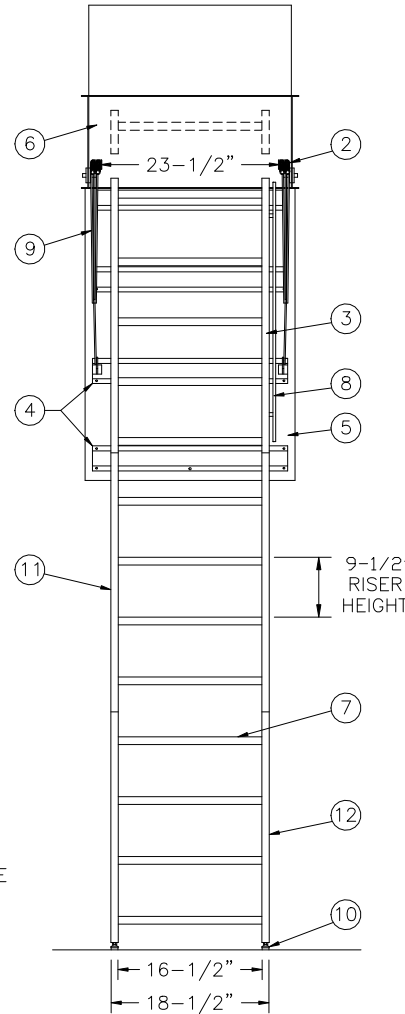
DIMENSIONS ON THIS DRAWING PERTAIN ONLY TO CEILING HEIGHTS BETWEEN 12'-1" AND 13'-6"

MANUFACTURER RECOMMENDS THAT 2 PEOPLE OPEN/CLOSE UNITS INSTALLED IN CEILINGS 11' & OVER.

SHIPS COMPLETELY ASSEMBLED AS ONE UNIT

MOTOR REQUIRES STANDARD 120V/30A CIRCUIT

MODEL SS4000 STAIRWAYS ARE ELECTRICALLY OPERATED VIA WIRELESS KEYPAD. ONCE A CORRECT CODE IS KEYED, THE DOOR PANEL OPENS (OR CLOSES) AND THE STAIR SECTIONS UNFOLD (OR FOLD UP).




LADDER LEGEND

- | | |
|---------------------------|------------------------------|
| 1. STEEL PIANO DOOR HINGE | 8. HANDRAIL RIGHT SIDE ONLY |
| 2. DOUBLE SPRING ACTION | 9. EXTRA HEAVY OPERATING ARM |
| 3. SIDE RUNNER 5" ALUM. | 10. ROLLER |
| 4. BATTEN 1/8" ALUM. | 11. MIDDLE SECTION |
| 5. DOOR PANEL 1/8" ALUM. | 12. BOTTOM SECTION |
| 6. STEEL ANGLE FRAME | 13. EMERGENCY RELEASE CABLE |
| 7. TREAD (SERRATED ALUM.) | |

NOT TO SCALE

S4162-A-30

 <p>Precision Ladders, LLC P.O. BOX 2279 Morristown, TN 37816-2279 Ph: (423) 586-2265 Fax: (423) 586-2091 www.PrecisionLadders.com</p>	WORK ORDER: ()	DWG. CHECK	ARCH'T OR ENG'R.	PROJECT	PRECISION REP	
		BUILT BY:	PURCHASE ORDER	WORK ORDER	PURCHASER	SERIAL#
		CHECKED BY:	DRAWN BY: DNH	DATE 4/17/19	MODEL# S4162-A-30	QTY.