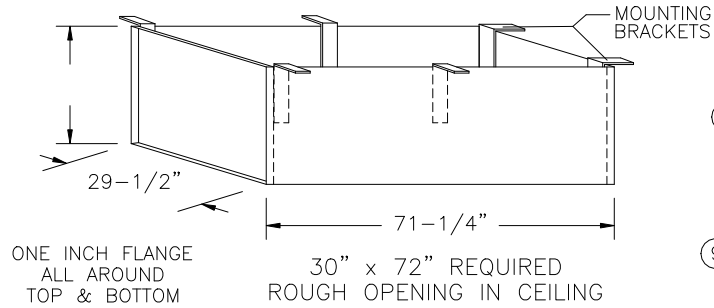


# SS-4000 AUTOMATIC SUPER SIMPLEX STAIRWAY WITH STANDARD BOX FRAME

(USE THIS DRAWING FOR CEILING HEIGHTS BETWEEN 12'-1" TO 13'-6")



ONE INCH FLANGE  
ALL AROUND  
TOP & BOTTOM

30" x 72" REQUIRED  
ROUGH OPENING IN CEILING

STANDARD BOX FRAME  
FABRICATED FROM 1/8" STEEL  
THIS DRAWING ACCOMODATES FRAME DEPTHS  
FROM 6" TO 11".

## NOTES

IF FLOOR ABOVE IS MORE THAN 12" ABOVE CEILING LINE,  
63 DEGREE ANGLE FRAME IS RECOMMENDED.

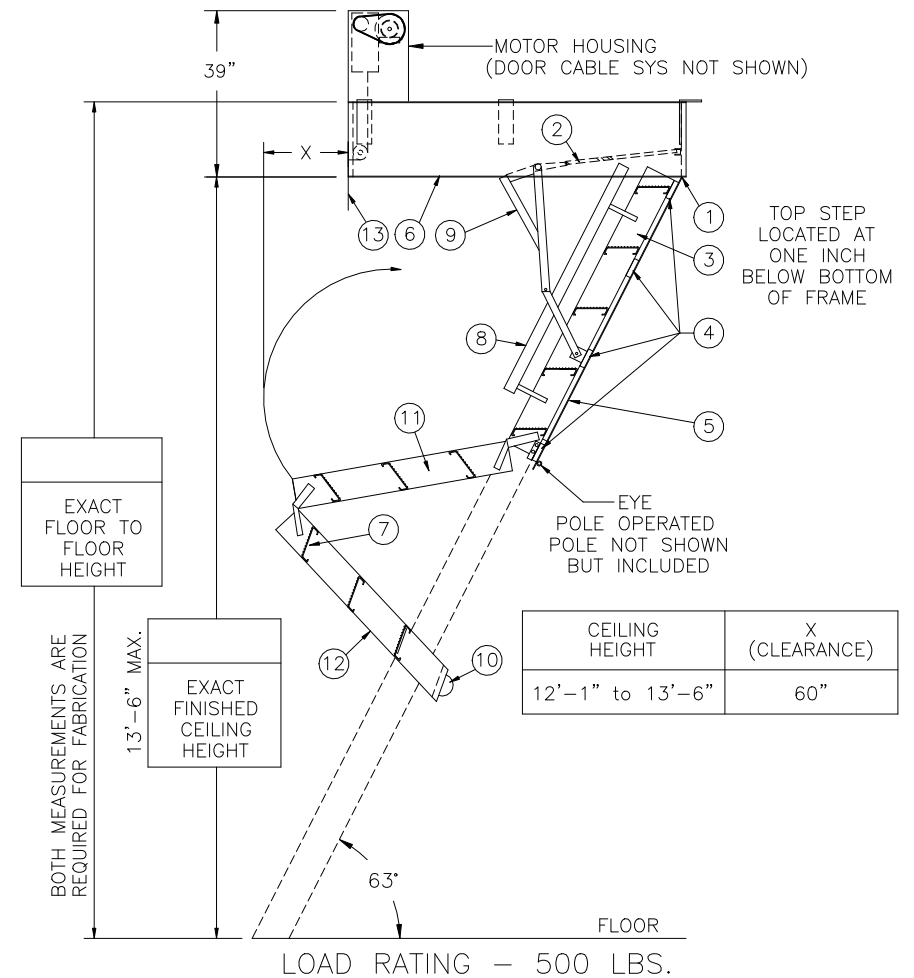
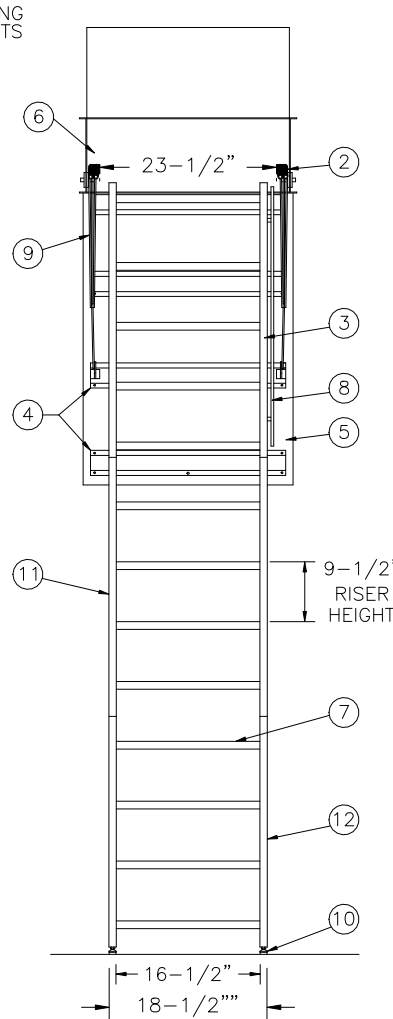
DIMENSIONS ON THIS DRAWING PERTAIN ONLY TO CEILING  
HEIGHTS BETWEEN 12'-1" AND 13'-6" WITH LESS  
THAN A 12" FRAME.

SHIPS COMPLETELY ASSEMBLED AS ONE UNIT.

MOTOR REQUIRES STANDARD 120V/30A CIRCUIT

MANUFACTURER RECOMMENDS THAT 2 PEOPLE OPEN/CLOSE  
UNITS INSTALLED IN CEILINGS 11' AND OVER.

MODEL SS4000 STAIRWAYS ARE ELECTRICALLY OPERATED  
VIA WIRELESS KEYPAD. ONCE A CORRECT CODE IS KEYED,  
THE DOOR PANEL OPENS (OR CLOSES) AND THE STAIR  
SECTIONS UNFOLD (OR FOLD UP).



CEILING HEIGHT	X (CLEARANCE)
12'-1" to 13'-6"	60"

## LADDER LEGEND

- |                           |                              |
|---------------------------|------------------------------|
| 1. STEEL PIANO DOOR HINGE | 8. HANDRAIL RIGHT SIDE ONLY  |
| 2. DOUBLE SPRING ACTION   | 9. EXTRA HEAVY OPERATING ARM |
| 3. SIDE RUNNER 5" ALUM.   | 10. ROLLER                   |
| 4. BATTEN 1/8" ALUM.      | 11. MIDDLE SECTION           |
| 5. DOOR PANEL 1/8" ALUM.  | 12. BOTTOM SECTION           |
| 6. STEEL BOX FRAME        | 13. EMERGENCY RELEASE CABLE  |
| 7. TREAD (SERRATED ALUM.) |                              |

NOT TO SCALE

S4162-B-30



Precision Ladders, LLC

P.O. BOX 2279 Morristown, TN 37816-2279  
Ph: (423) 586-2265 Fax: (423) 586-2091  
www.PrecisionLadders.com

WORK ORDER: ( )

DWG. CHECK

BUILT BY:

CHECKED BY:

ARCH'T OR ENG'R.

PURCHASE ORDER

DRAWN BY:

DNH

PROJECT

WORK ORDER

DATE

PURCHASER

MODEL#

S4162-B-30

QTY.

PRECISION REP

SERIAL#