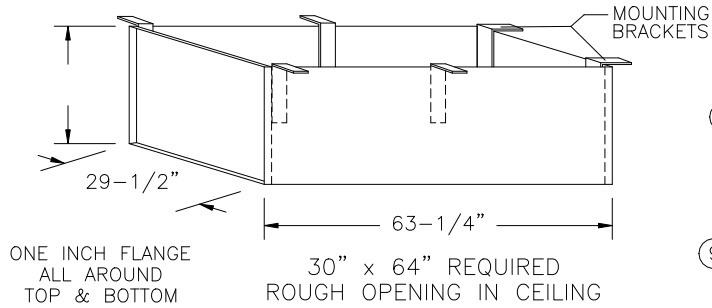


SS-4000 AUTOMATIC SUPER SIMPLEX STAIRWAY WITH STANDARD BOX FRAME

(USE THIS DRAWING FOR CEILING HEIGHTS BETWEEN 9'-10" TO 12'-0")



ONE INCH FLANGE
ALL AROUND
TOP & BOTTOM

30" x 64" REQUIRED
ROUGH OPENING IN CEILING

STANDARD BOX FRAME
FABRICATED FROM 1/8" STEEL
THIS DRAWING ACCOMODATES FRAME DEPTHS
FROM 6" TO 11".

NOTES

IF FLOOR ABOVE IS MORE THAN 12" ABOVE CEILING LINE,
63 DEGREE ANGLE FRAME IS RECOMMENDED.

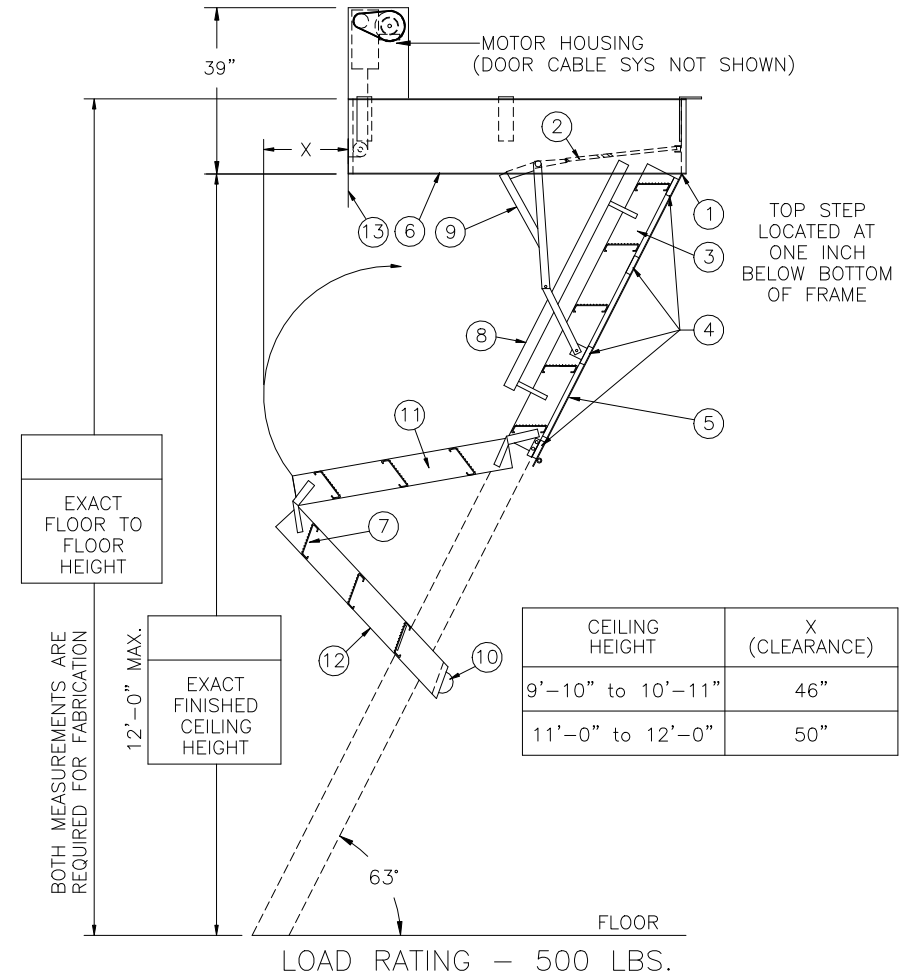
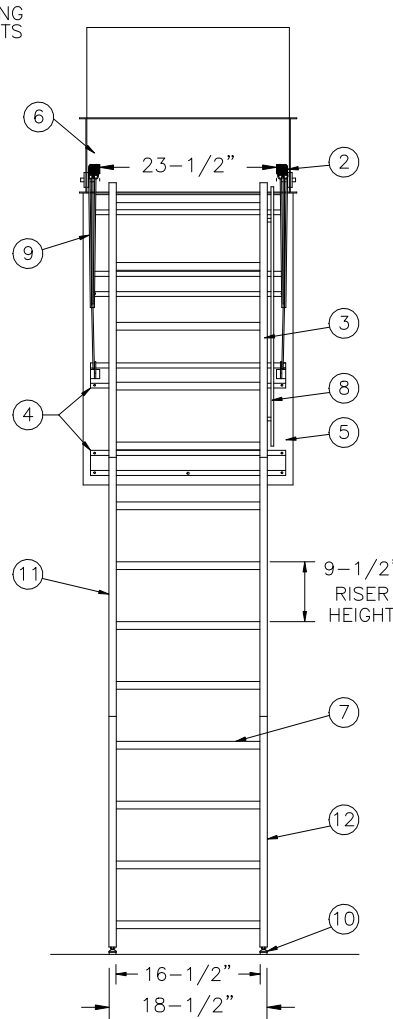
DIMENSIONS ON THIS DRAWING PERTAIN ONLY TO CEILING
HEIGHTS BETWEEN 9'-10" AND 12'-0" WITH LESS
THAN A 12" FRAME.

SHIPS COMPLETELY ASSEMBLED AS ONE UNIT.

MOTOR REQUIRES STANDARD 120V/30A CIRCUIT

MANUFACTURER RECOMMENDS THAT 2 PEOPLE OPEN/CLOSE
UNITS INSTALLED IN CEILINGS 11' AND OVER.

MODEL SS4000 STAIRWAYS ARE ELECTRICALLY OPERATED
VIA WIRELESS KEYPAD. ONCE A CORRECT CODE IS KEYED,
THE DOOR PANEL OPENS (OR CLOSES) AND THE STAIR
SECTIONS UNFOLD (OR FOLD UP).



BOTH MEASUREMENTS ARE
REQUIRED FOR FABRICATION

12'-0" MAX.

LOAD RATING - 500 LBS.

LADDER LEGEND

- | | |
|---------------------------|------------------------------|
| 1. STEEL PIANO DOOR HINGE | 8. HANDRAIL RIGHT SIDE ONLY |
| 2. DOUBLE SPRING ACTION | 9. EXTRA HEAVY OPERATING ARM |
| 3. SIDE RUNNER 5" ALUM. | 10. ROLLER |
| 4. BATTEN 1/8" ALUM. | 11. MIDDLE SECTION |
| 5. DOOR PANEL 1/8" ALUM. | 12. BOTTOM SECTION |
| 6. STEEL BOX FRAME | 13. EMERGENCY RELEASE CABLE |
| 7. TREAD (SERRATED ALUM.) | |

NOT TO SCALE

S4144-B-30



Precision Ladders, LLC

P.O. BOX 2279 Morristown, TN 37816-2279
Ph: (423) 586-2265 Fax: (423) 586-2091
www.PrecisionLadders.com

WORK ORDER: ()

DWG. CHECK

BUILT BY:

CHECKED BY:

ARCH'T OR ENG'R.

PURCHASE ORDER

DRAWN BY:

DNH

PROJECT

WORK ORDER

DATE

PURCHASER

MODEL#

S4144-B-30

QTY.

PRECISION REP

SERIAL#