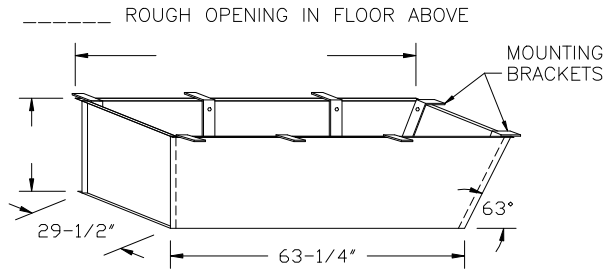


SS-4000 AUTOMATIC SUPER SIMPLEX STAIRWAY WITH DEEP ANGLE FRAME

(USE THIS DRAWING FOR CEILING HEIGHTS BETWEEN 9'-10" TO 12'-0")

ONE INCH FLANGE
ALL AROUND
TOP & BOTTOM



30" x 64" REQUIRED
ROUGH OPENING IN CEILING

SPECIAL DEEP FRAME

1/8" STEEL, 63 DEGREE ANGLE ONE END, 90 DEGREE OTHER END, TO CONTAIN SUPER SIMPLEX FOLDING STAIRWAY CUT FOR EXACT FINISHED CEILING HEIGHT. THIS FRAME, WITH FACTORY INSTALLED BUILT-IN TREADS, PROVIDES STEPS FROM THE DROPPED-CEILING LINE TO THE UPPER FLOOR.

NOTES

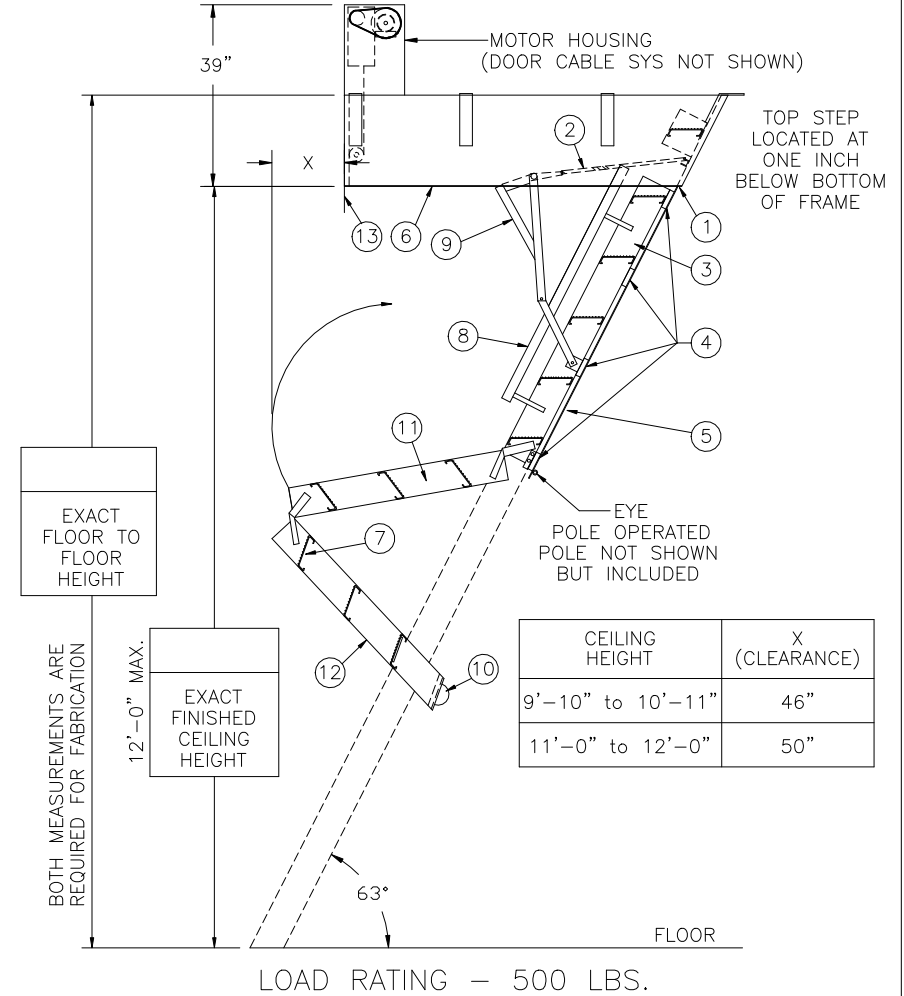
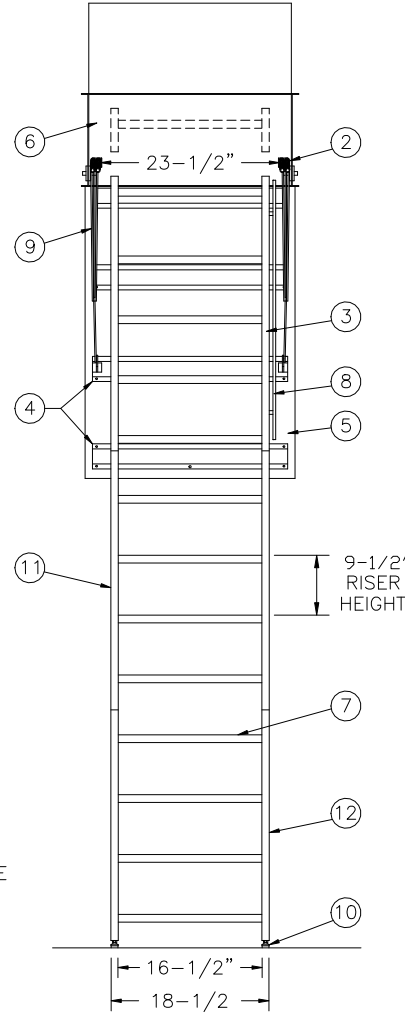
DIMENSIONS ON THIS DRAWING PERTAIN ONLY TO CEILING HEIGHTS BETWEEN 9'-10" AND 12'-0"

MANUFACTURER RECOMMENDS THAT 2 PEOPLE OPEN/CLOSE UNITS INSTALLED IN CEILINGS 11' & OVER.

SHIPS COMPLETELY ASSEMBLED AS ONE UNIT

MOTOR REQUIRES STANDARD 120V/30A CIRCUIT

MODEL SS4000 STAIRWAYS ARE ELECTRICALLY OPERATED VIA WIRELESS KEYPAD. ONCE A CORRECT CODE IS KEYED, THE DOOR PANEL OPENS (OR CLOSES) AND THE STAIR SECTIONS UNFOLD (OR FOLD UP).



CEILING HEIGHT	X (CLEARANCE)
9'-10" to 10'-11"	46"
11'-0" to 12'-0"	50"

LADDER LEGEND

- STEEL PIANO DOOR HINGE
- DOUBLE SPRING ACTION
- SIDE RUNNER 5" ALUM.
- BATTEN 1/8" ALUM.
- DOOR PANEL 1/8" ALUM.
- STEEL ANGLE FRAME
- TREAD (SERRATED ALUM.)
- HANDRAIL RIGHT SIDE ONLY
- EXTRA HEAVY OPERATING ARM
- ROLLER
- MIDDLE SECTION
- BOTTOM SECTION
- EMERGENCY RELEASE CABLE

NOT TO SCALE

S4144-A-30

<p>Precision Ladders, LLC P.O. BOX 2279 Morristown, TN 37816-2279 Ph: (423) 586-2265 Fax: (423) 586-2091 www.PrecisionLadders.com</p>	WORK ORDER: ()	DWG. CHECK	ARCH'T OR ENGR.	PROJECT	PRECISION REP	
		BUILT BY:	PURCHASE ORDER	WORK ORDER	PURCHASER	
		CHECKED BY:	DRAWN BY: DNH	DATE: 4/17/19	MODEL#	QTY.