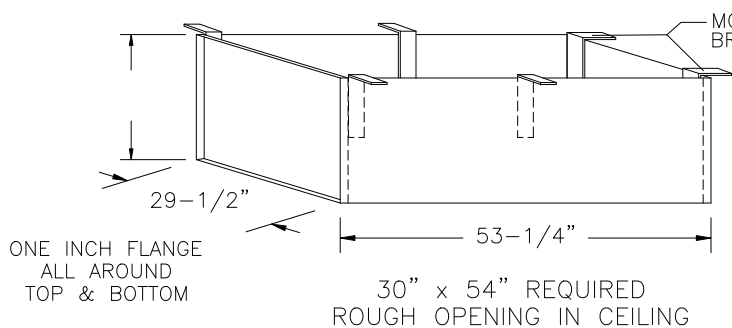


SS-4000 AUTOMATIC SUPER SIMPLEX STAIRWAY WITH STANDARD BOX FRAME

(USE THIS DRAWING FOR CEILING HEIGHTS 9'-9" OR LESS)



STANDARD BOX FRAME
FABRICATED FROM 1/8" STEEL
THIS DRAWING ACCOMODATES FRAME DEPTHS
FROM 6" TO 11".

NOTES

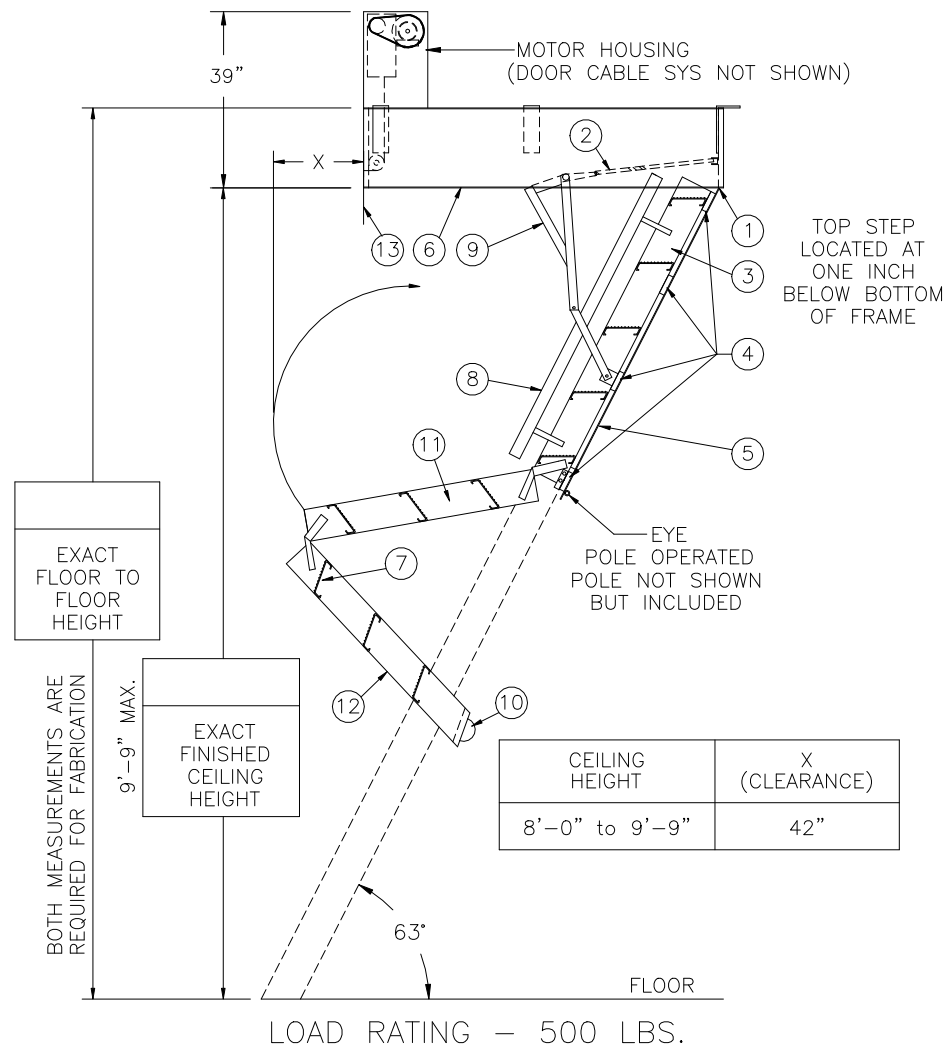
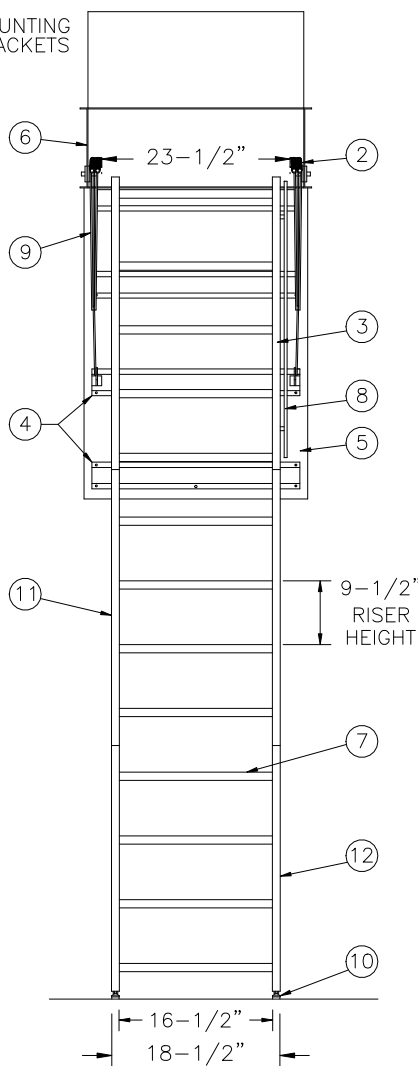
IF FLOOR ABOVE IS MORE THAN 12" ABOVE CEILING LINE,
63 DEGREE ANGLE FRAME IS RECOMMENDED.

DIMENSIONS ON THIS DRAWING PERTAIN ONLY TO CEILING
HEIGHTS 9'-9" OR LESS AND LESS THAN A 12" FRAME.

SHIPS COMPLETELY ASSEMBLED AS ONE UNIT.

MOTOR REQUIRES STANDARD 120V/30A CIRCUIT

MODEL SS4000 STAIRWAYS ARE ELECTRICALLY OPERATED
VIA WIRELESS KEYPAD. ONCE A CORRECT CODE IS KEYED,
THE DOOR PANEL OPENS (OR CLOSES) AND THE STAIR
SECTIONS UNFOLD (OR FOLD UP).



BOTH MEASUREMENTS ARE
REQUIRED FOR FABRICATION

LADDER LEGEND

- | | |
|---------------------------|------------------------------|
| 1. STEEL PIANO DOOR HINGE | 7. TREAD (SERRATED ALUM.) |
| 2. DOUBLE SPRING ACTION | 8. HANDRAIL RIGHT SIDE ONLY |
| 3. SIDE RUNNER 5" ALUM. | 9. EXTRA HEAVY OPERATING ARM |
| 4. BATTEN 1/8" ALUM. | 10. ROLLER |
| 5. DOOR PANEL 1/8" ALUM. | 11. MIDDLE SECTION |
| 6. STEEL BOX FRAME | 12. BOTTOM SECTION |
| | 13. EMERGENCY RELEASE CABLE |

NOT TO SCALE

S4117-B-30



Precision Ladders, LLC

P.O. BOX 2279 Morristown, TN 37816-2279
Ph: (423) 586-2265 Fax: (423) 586-2091
www.PrecisionLadders.com

WORK ORDER: ()

DWG. CHECK	ARCH'T OR ENG'R.	PROJECT	PRECISION REP
BUILT BY:	PURCHASE ORDER	REVISION	PURCHASER
CHECKED BY:	DRAWN BY: DNH	DATE 4/17/19	MODEL#
		QTY.	SERIAL#