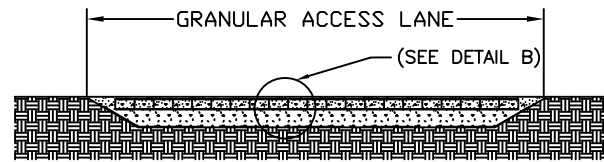
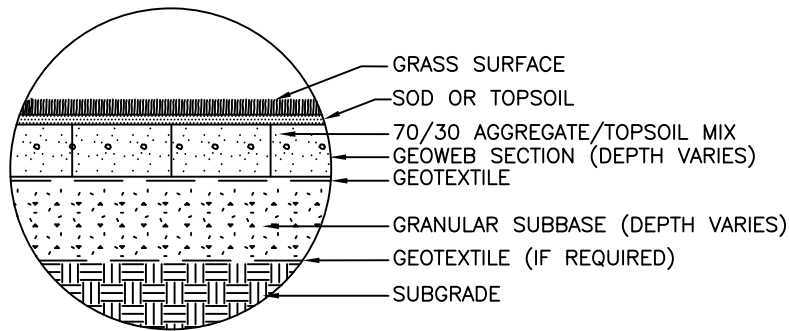




SECTION A - A

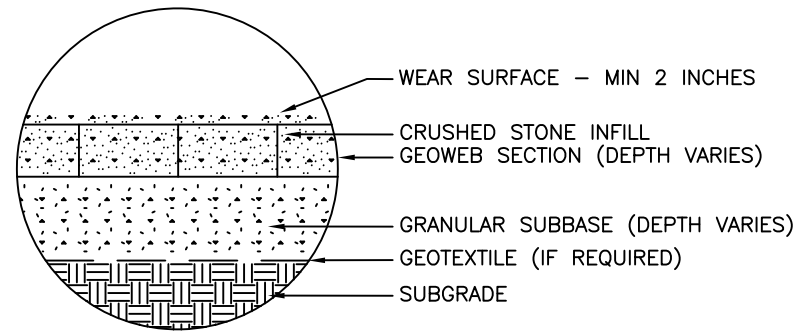


SECTION B - B



DETAIL A

TYPICAL GRASS PAVEMENT DETAILS



DETAIL B

TYPICAL GRANULAR PAVEMENT DETAILS

	PRESTO® PRODUCTS CO. 670 NORTH PERKINS STREET APPLETON, WI 54914 920-738-1328 WWW.PRESTOGEO.COM
	GENUINE GEOWEB® SURFACE PAVEMENT DETAILS

THIS DRAWING IS COPYRIGHTED AND BASED UPON THE USE OF GENUINE GEOWEB MANUFACTURED BY PRESTO GEOSYSTEMS. ANY USE OF THIS DRAWING FOR ANY PRODUCT OTHER THAN THAT MANUFACTURED BY PRESTO GEOSYSTEMS IS STRICTLY PROHIBITED.

<small>PRESTO®, GEOWEB®, AND ATRA® ARE REGISTERED TRADEMARKS OF PRESTO PRODUCTS.</small>	
<small>DATE</small> NOVEMBER 2019	<small>FILE NAME</small> GWLD2F.DWG
<small>SCALE</small> NTS	<small>SHEET</small> 1 © 2010 PRESTO GEOSYSTEMS