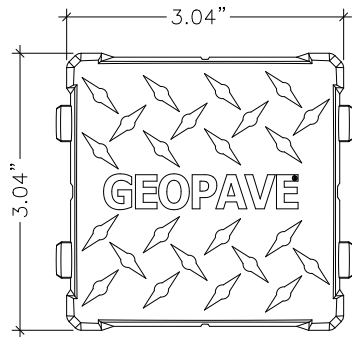
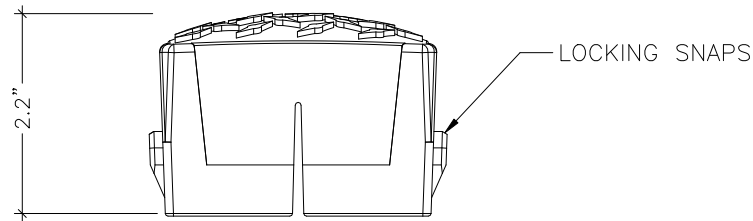


Notes:

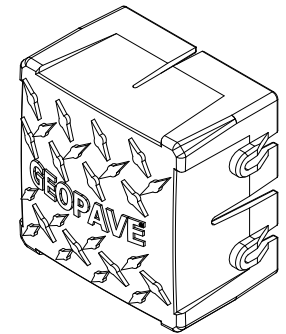
1. This information is based on the use of GeoPave and GeoPave SNAP Delineators manufactured by Reynolds Presto Products, Inc. All rights reserved. Any use of this information for any rigid porous paver product other than that manufactured by Reynolds Presto Products, Inc. is strictly prohibited and makes this information invalid.
2. Produced in high visibility colors to mark parking spaces, drive lanes, center lines or other delineation.
3. SNAP Delineators integral locking snaps function in the GeoPave unit's square or rectangular cells at the placement density to meet visual and local agency requirements.
4. SNAP Delineators are compatible with aggregate and engineered fill materials.
5. Raised profile with diamond grid pattern aids in driver visibility and vehicle traction.
6. Refer to the GeoPave Design and Construction Overview for a complete description of the design and construction methods.



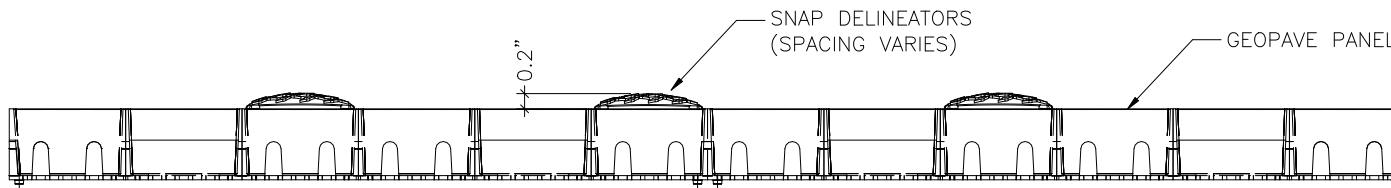
TOP VIEW



SIDE VIEW



ISOMETRIC VIEW



INSTALLED

REYNOLDS PRESTO®  
PRODUCTS, INC.

670 NORTH PERKINS STREET  
APPLETON, WI 54914  
920-738-1342  
WWW.PRESTOCEO.COM

GEOPAVE SNAP DELINEATOR  
POROUS PAVEMENT SYSTEM

PRESTO®, GEOSYSTEMS®, AND GEOPAVE® ARE REGISTERED TRADEMARKS  
OF REYNOLDS PRESTO PRODUCTS, INC.

DATE:	MARCH 2020	FILE NAME	GEOPAVE-D1.DWG
SCALE:	NTS	SHEET	1