

PL-251 SERIES
2" x 4-1/2"
1" OFFSET GLAZED

PL-251 SERIES
 STOREFRONT MATERIAL
 SCALE: 3" = 1' - 0"

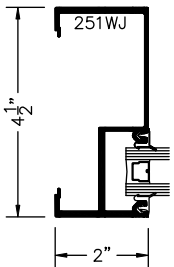
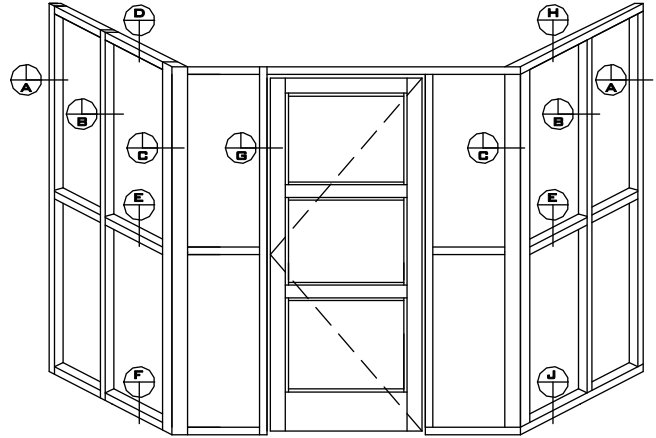
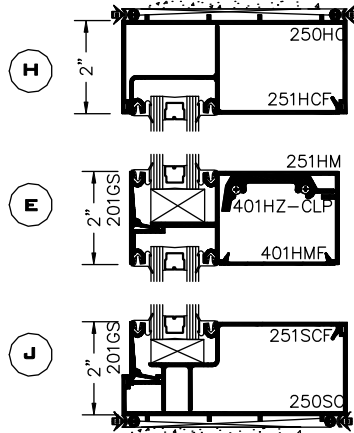
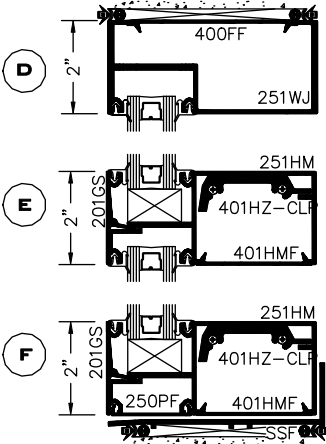


SCREW RACE

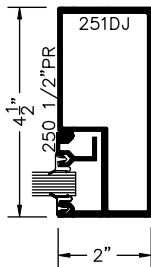
QUICK SET

SCREW RACE

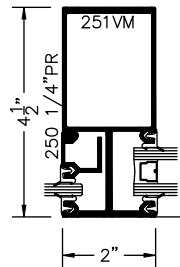
QUICK SET



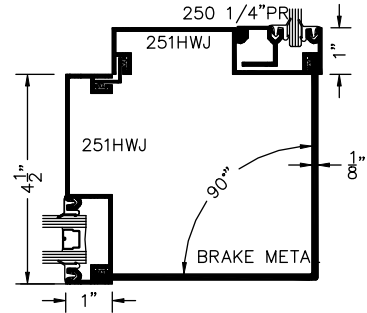
A-1



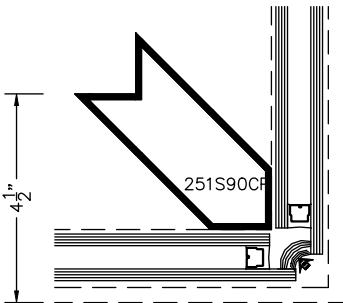
A-2



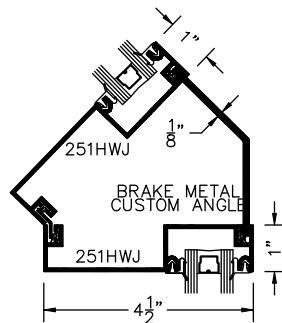
B-1



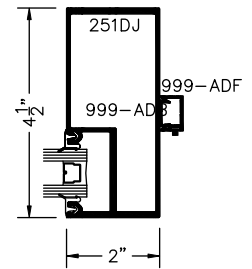
C-1



C-2



C-3



G-1