

**PRL**

GLASS  
SYSTEMS  
INC.

Prglass.com

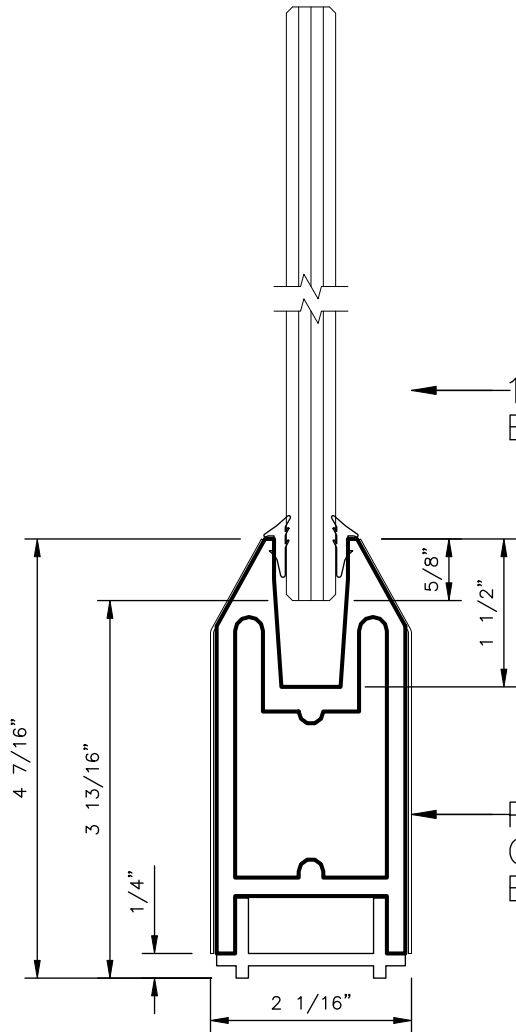
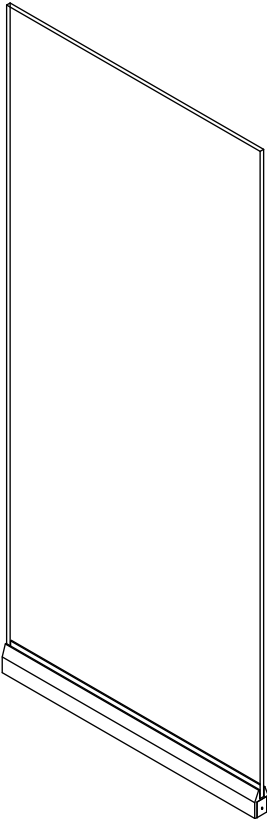


# PL150SDS SIDELITE RAIL

DWG NO.: SL-150SDS-B

DATE: 07-31-10

\* FINISHES AVAILABLE :  
# 8 POLISHED & # 4 SATIN  
STAINLESS  
US3 POLISHED & US4 SATIN  
BRASS ( NON LACQUER  
COATED)  
US10B  
ANODIZED PAINTED



← 1/2" CLEAR TEMPERED GLASS  
BY P.R.L. GLASS

← PL150SDS  
CLAD  
BY P.R.L. GLASS