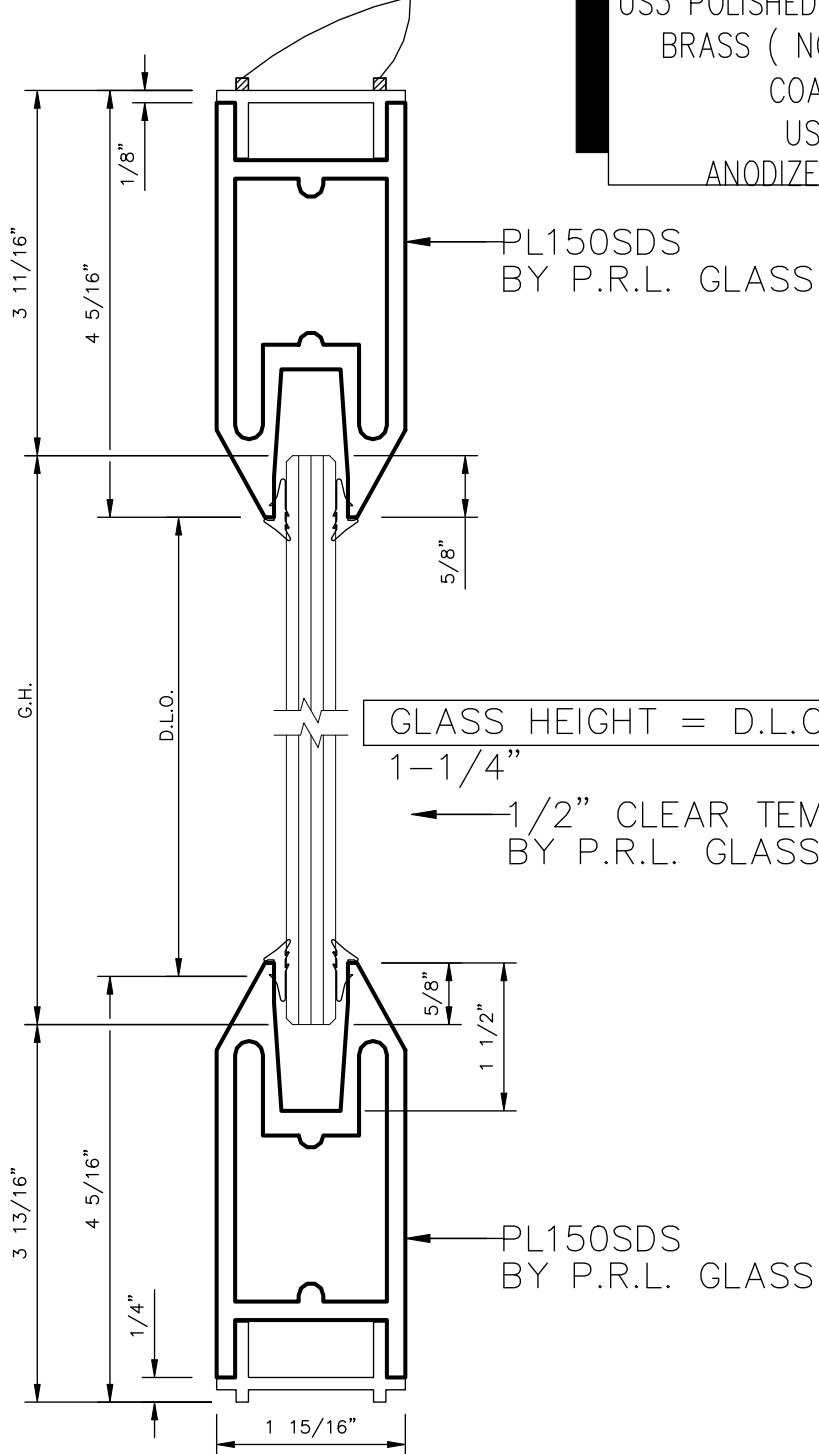




* FINISHES AVAILABLE :
8 POLISHED & # 4 SATIN
STAINLESS
US3 POLISHED & US4 SATIN
BRASS (NON LACQUER
COATED)
US10B
ANODIZED PAINTED

cut off legs



GLASS HEIGHT = D.L.O. + $1 - \frac{1}{4}$ "

$\frac{1}{2}$ " CLEAR TEMPERED GLASS BY P.R.L. GLASS

