

**PRL**

GLASS  
SYSTEMS  
INC.

Prglass.com

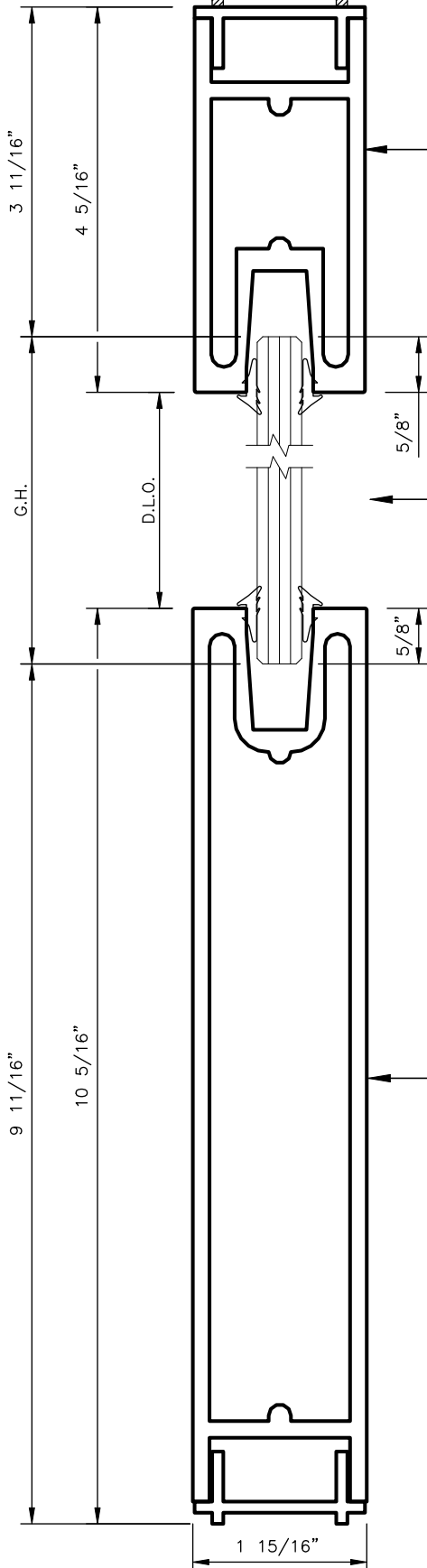


# PL1000SDS SIDELITE RAIL NON CLAD

DWG NO.: SL-350SDS-T-1000SDS-B-NC

DATE: 07-31-10

cut off legs



\* FINISHES AVAILABLE :  
# 8 POLISHED & # 4 SATIN  
STAINLESS  
US3 POLISHED & US4 SATIN  
BRASS ( NON LACQUER  
COATED)  
US10B  
ANODIZED PAINTED

GLASS HEIGHT = D.L.O. +  
 $1 \frac{1}{2} \frac{1}{4}$ " CLEAR TEMPERED GLASS  
BY P.R.L. GLASS

