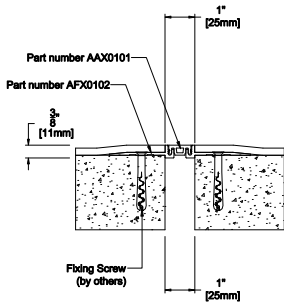


AFS01 SYSTEM



TECHNICAL DATA	IMPERIAL (in)	METRIC (mm)
Joint Width	1"	25
Movement ± (Horizontal)	1/4"	6
Movement ± (Vertical)	1/4"	6
Load	2 (Tons)	

Date: _____
Rev: _____
Scale: NTS

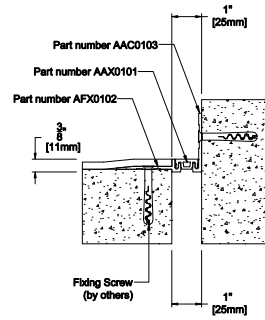
Drawn by: _____
 APPLICATION:
 Ratio Filled Internal Expansion Joint Cover for
 Floor to Floor Suitable for Installation Under
 Carpet Condition



PROSPEC SPECIALTIES INC.
 3801 HIGHWAY 7, SUITE 400
 MARKHAM ON L3R 0M3, CANADA.
 TEL: (888) - 749 - 8455,
 FAX: (888) - 749 - 8455
 Email: info@prospecpecialties.com
 Web: prospecpecialties.com

Disclaimer: As Prospec Specialist Policy is one of continual technical progress for the improvement of the company's services to its customers, the company reserves the right to modify the Design of its products without notice.

AFC01 SYSTEM



TECHNICAL DATA	IMPERIAL (in)	METRIC (mm)
Joint Width	1"	25
Movement ± (Horizontal)	1/4"	6
Movement ± (Vertical)	1/4"	6
Load	2 (Tons)	

Date: _____
Rev: _____
Scale: NTS

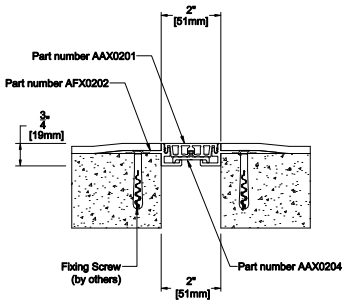
Drawn by: _____
 APPLICATION:
 Ratio Filled Internal Expansion Joint Cover for
 Floor to Wall Suitable for Installation Under
 Carpet Condition



PROSPEC SPECIALTIES INC.
 3801 HIGHWAY 7, SUITE 400
 MARKHAM ON L3R 0M3, CANADA.
 TEL: (888) - 749 - 8455,
 FAX: (888) - 749 - 8455
 Email: info@prospecpecialties.com
 Web: prospecpecialties.com

Disclaimer: As Prospec Specialist Policy is one of continual technical progress for the improvement of the company's services to its customers, the company reserves the right to modify the Design of its products without notice.

AFS02 SYSTEM



TECHNICAL DATA	IMPERIAL (in)	METRIC (mm)
Joint Width	2"	51
Movement ± (Horizontal)	1/2"	13
Movement ± (Vertical)	1/2"	13
Load	2 (Tons)	

Date: _____
Rev: _____
Scale: NTS

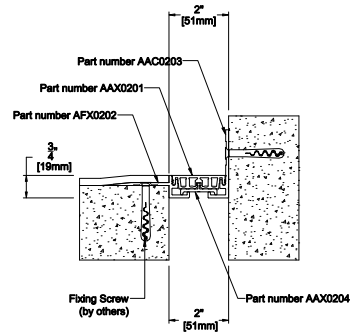
Drawn by: _____
 APPLICATION:
 Ratio Filled Internal Expansion Joint Cover for
 Floor to Floor Suitable for Installation Under
 Carpet Condition



PROSPEC SPECIALTIES INC.
 3801 HIGHWAY 7, SUITE 400
 MARKHAM ON L3R 0M3, CANADA.
 TEL: (888) - 749 - 8455,
 FAX: (888) - 749 - 8455
 Email: info@prospecpecialties.com
 Web: prospecpecialties.com

Disclaimer: As Prospec Specialist Policy is one of continual technical progress for the improvement of the company's services to its customers, the company reserves the right to modify the Design of its products without notice.

AFC02 SYSTEM



TECHNICAL DATA	IMPERIAL (in)	METRIC (mm)
Joint Width	2"	51
Movement ± (Horizontal)	1/2"	13
Movement ± (Vertical)	1/2"	13
Load	2 (Tons)	

Date: _____
Rev: _____
Scale: NTS

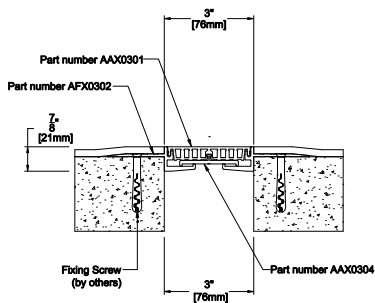
Drawn by: _____
 APPLICATION:
 Ratio Filled Internal Expansion Joint Cover for
 Floor to Wall Suitable for Installation Under
 Carpet Condition



PROSPEC SPECIALTIES INC.
 3801 HIGHWAY 7, SUITE 400
 MARKHAM ON L3R 0M3, CANADA.
 TEL: (888) - 749 - 8455,
 FAX: (888) - 749 - 8455
 Email: info@prospecpecialties.com
 Web: prospecpecialties.com

Disclaimer: As Prospec Specialist Policy is one of continual technical progress for the improvement of the company's services to its customers, the company reserves the right to modify the Design of its products without notice.

AFS03 SYSTEM



TECHNICAL DATA	IMPERIAL (in)	METRIC (mm)
Joint Width	3"	76
Movement ± (Horizontal)	3/4"	19
Movement ± (Vertical)	3/4"	19
Load	2 (Tons)	

Date: _____
Rev: _____
Scale: NTS

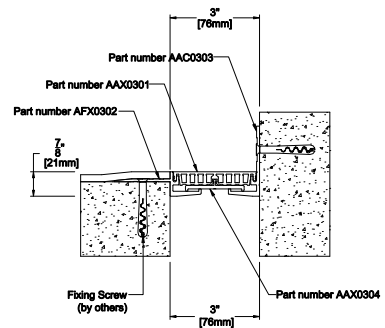
Drawn by: _____
 APPLICATION:
 Ratio Filled Internal Expansion Joint Cover for
 Floor to Floor Suitable for Installation Under
 Carpet Condition



PROSPEC SPECIALTIES INC.
 3801 HIGHWAY 7, SUITE 400
 MARKHAM ON L3R 0M3, CANADA.
 TEL: (888) - 749 - 8455,
 FAX: (888) - 749 - 8455
 Email: info@prospecpecialties.com
 Web: prospecpecialties.com

Disclaimer: As Prospec Specialist Policy is one of continual technical progress for the improvement of the company's services to its customers, the company reserves the right to modify the Design of its products without notice.

AFC03 SYSTEM



TECHNICAL DATA	IMPERIAL (in)	METRIC (mm)
Joint Width	3"	76
Movement ± (Horizontal)	3/4"	19
Movement ± (Vertical)	3/4"	19
Load	2 (Tons)	

Date: _____
Rev: _____
Scale: NTS

Drawn by: _____
 APPLICATION:
 Ratio Filled Internal Expansion Joint Cover for
 Floor to Wall Suitable for Installation Under
 Carpet Condition



PROSPEC SPECIALTIES INC.
 3801 HIGHWAY 7, SUITE 400
 MARKHAM ON L3R 0M3, CANADA.
 TEL: (888) - 749 - 8455,
 FAX: (888) - 749 - 8455
 Email: info@prospecpecialties.com
 Web: prospecpecialties.com

Disclaimer: As Prospec Specialist Policy is one of continual technical progress for the improvement of the company's services to its customers, the company reserves the right to modify the Design of its products without notice.