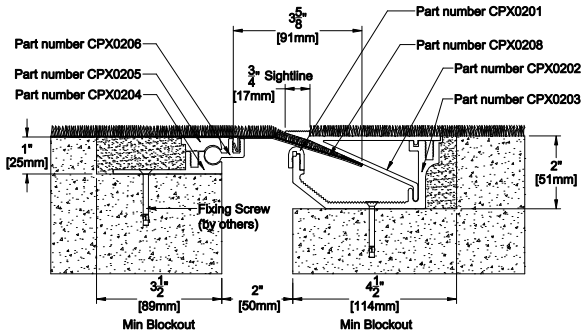


CPS02 SYSTEM



TECHNICAL DATA	IMPERIAL (Inch)	METRIC (mm)
Joint Width	2"	50
Movement ± (Horizontal)	1"	25
Movement ± (Vertical)	1"	25
Load	1 (Ton)	
Date: Feb, 2013	Scale:	
Rev: 01	Drawn by: NP	

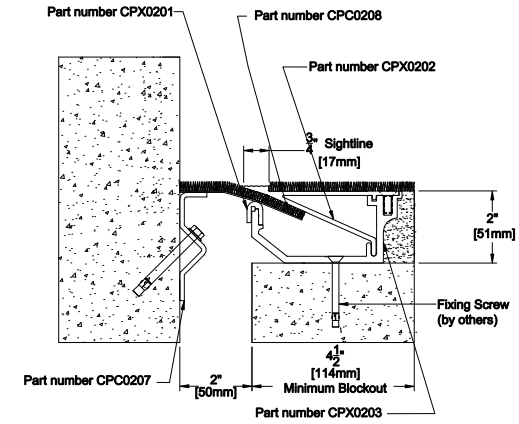
APPLICATION: EXPANSION JOINT COVER FOR FLOOR TO FLOOR



PROSPEC SPECIALTIES INC.
 3601 HIGHWAY 7, SUITE 400
 MARKHAM ON L3R 0M3, CANADA.
 TEL: (888) - 749 - 8455;
 FAX: (888) - 749 - 8455
 Email: info@prospecspecialties.com
 Web: prospecspecialties.com

Disclaimer: As Prospec Specialties' Policy is one of continual technical progress for the improvement of the company's services to its customers, the company reserves the right to modify the Designs of its products without notice.

CPC02 SYSTEM



TECHNICAL DATA	IMPERIAL (Inch)	METRIC (mm)
Joint Width	2"	60
Movement ± (Horizontal)	1"	25
Movement ± (Vertical)	1"	25
Load	1 (Ton)	
Date: June, 2013	Scale: NTS	
Rev: 01	Drawn by: NP	

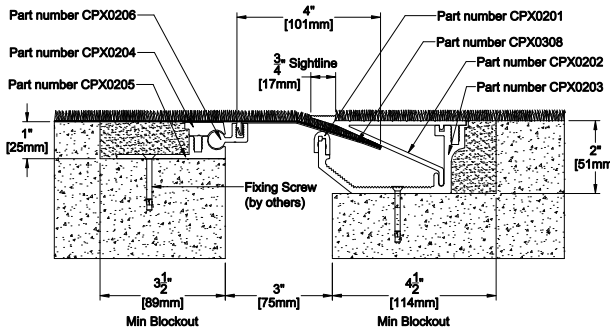
APPLICATION: EXPANSION JOINT COVER FOR FLOOR TO WALL



PROSPEC SPECIALTIES INC.
 3601 HIGHWAY 7, SUITE 400
 MARKHAM ON L3R 0M3, CANADA.
 TEL: (888) - 749 - 8455;
 FAX: (888) - 749 - 8455
 Email: info@prospecspecialties.com
 Web: prospecspecialties.com

Disclaimer: As Prospec Specialties' Policy is one of continual technical progress for the improvement of the company's services to its customers, the company reserves the right to modify the Designs of its products without notice.

CPS03 SYSTEM



TECHNICAL DATA	IMPERIAL (Inch)	METRIC (mm)
Joint Width	3"	75
Movement ± (Horizontal)	3/2"	38
Movement ± (Vertical)	3/2"	38
Load	1 (Ton)	
Date: Feb, 2013	Scale:	
Rev: 01	Drawn by: NP	

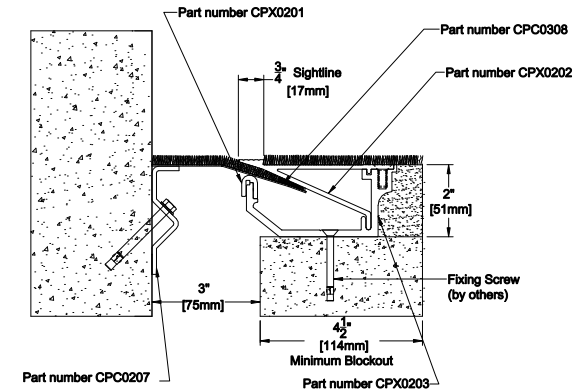
APPLICATION: EXPANSION JOINT COVER FOR FLOOR TO FLOOR



PROSPEC SPECIALTIES INC.
 3601 HIGHWAY 7, SUITE 400
 MARKHAM ON L3R 0M3, CANADA.
 TEL: (888) - 749 - 8455;
 FAX: (888) - 749 - 8455
 Email: info@prospecspecialties.com
 Web: prospecspecialties.com

Disclaimer: As Prospec Specialties' Policy is one of continual technical progress for the improvement of the company's services to its customers, the company reserves the right to modify the Designs of its products without notice.

CPC03 SYSTEM



TECHNICAL DATA	IMPERIAL (Inch)	METRIC (mm)
Joint Width	3"	78
Movement ± (Horizontal)	1-1/2"	38
Movement ± (Vertical)	1-1/2"	38
Load	1 (Ton)	
Date: June, 2013	Scale: NTS	
Rev: 01	Drawn by: NP	

APPLICATION: EXPANSION JOINT COVER FOR FLOOR TO WALL



PROSPEC SPECIALTIES INC.
 3601 HIGHWAY 7, SUITE 400
 MARKHAM ON L3R 0M3, CANADA.
 TEL: (888) - 749 - 8455;
 FAX: (888) - 749 - 8455
 Email: info@prospecspecialties.com
 Web: prospecspecialties.com

Disclaimer: As Prospec Specialties' Policy is one of continual technical progress for the improvement of the company's services to its customers, the company reserves the right to modify the Designs of its products without notice.