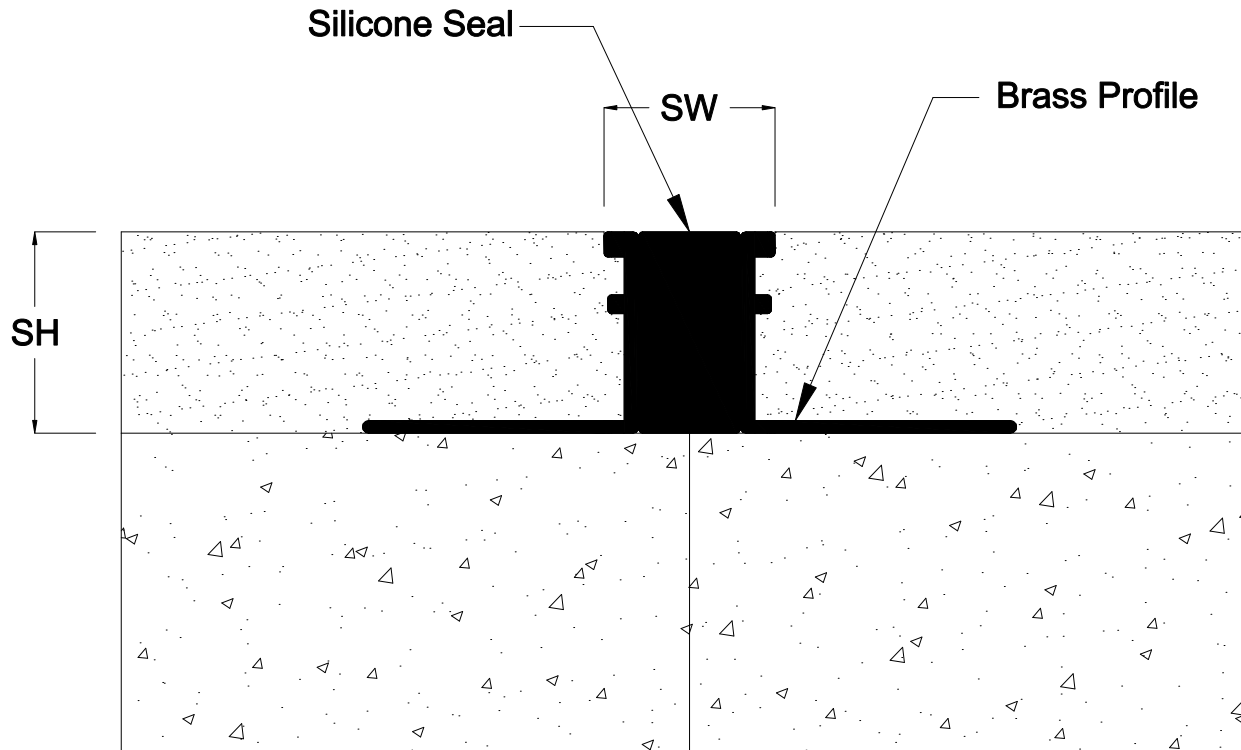


YBS SERIES



PROPERTIES	(SW) Sight Width		(SH) System Height	
	(inc)	(mm)	(inc)	(mm)
YBS 007	2/5"	10	0.315"	8
YBS 010	2/5"	10	0.433"	11
YBS 015	2/5"	10	0.630"	16
YBS 020	2/5"	10	0.827"	21
YBS 025	2/5"	10	1.024"	26
YBS 030	2/5"	10	1.221"	31
METAL	Brass			

Date: Dec., 2013 Scale: NTS
 Rev: Drawn by : NP

APPLICATION: Field Limitation Joint for Floor to Floor Condition



PROSPEC SPECIALTIES INC.
 3601 HIGHWAY 7, SUITE 400
 MARKHAM ON L3R 0M3, CANADA.
 TEL: (888) - 749 - 8456,
 FAX: (888) - 749 - 8455
 Email: info@prospecspecialties.com
 Web: prospectspecialties.com

Disclaimer: As Prospec Specialties' Policy is one of continual technical progress for the improvement of the company's services to its customers, the company reserves the right to modify the Designs of its products without notice.