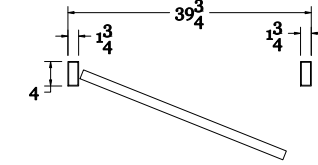
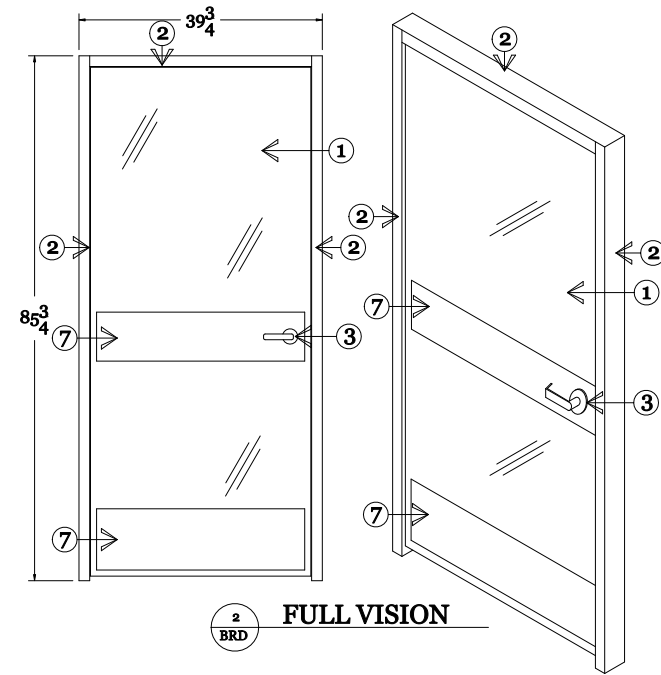


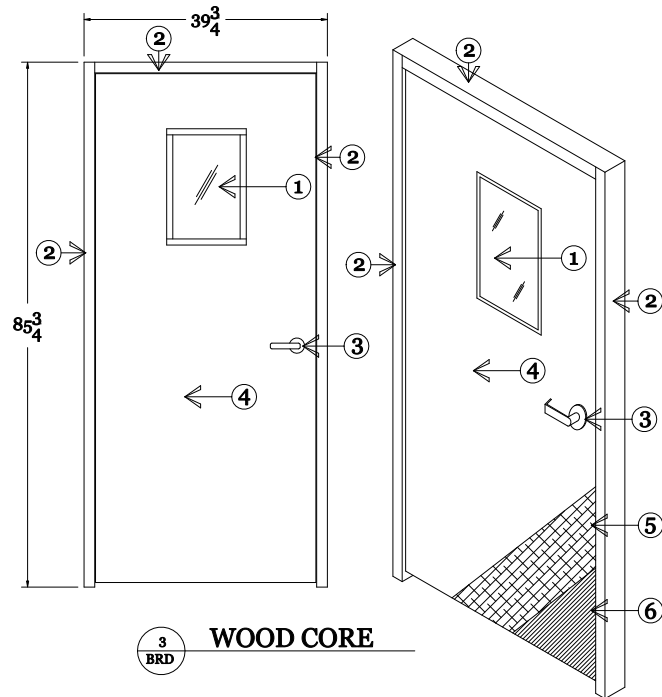
1 BRD HALF VISION



Standard Door Notes:
 Finished Opening: 40 x 86
 Jamb Size: 39-³/₄ x 85-³/₄"
 Door Size: 35-¹/₂ x 83-³/₈"
 Level 1,2,3
 Finish: Paint Grade Wood or Plastic Laminate
 Lockset: Simplex Unican or Schlage Storeroom
 Door Closer: International 1581
 Anti-Jimmy: Included on out swing doors
 Door Swing: Any



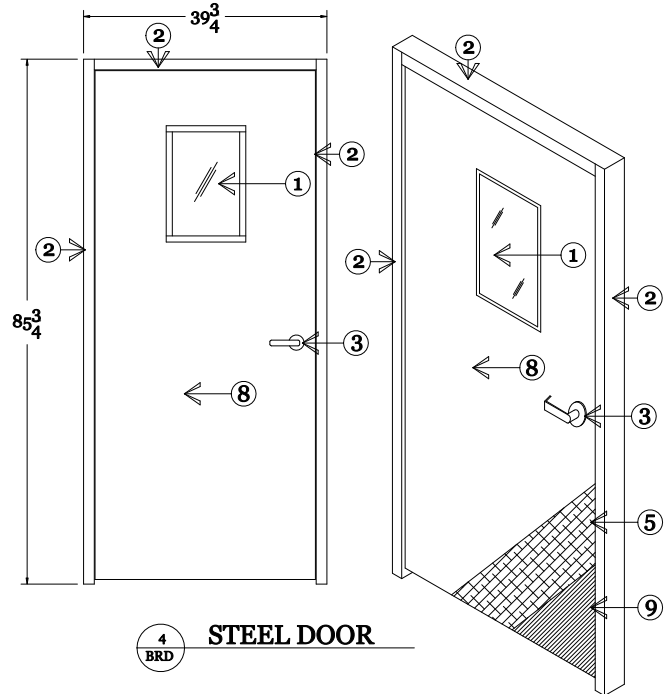
2 BRD FULL VISION



3 BRD WOOD CORE

DRAWING NOTES:

1. BULLET RESISTANT ACRYLIC OR ACRYLIC/POLYCARBONATE COMPOSITE. AVAILABLE IN PROTECTION LEVELS 1,2,3.
2. ALUMINUM TUBE FRAME, 1-³/₄ x 4 x ¹/₄ WALL. STANDARD COLORS ARE CLEAR ANODIZED ALUMINUM AND ARCHITECTURAL BRONZE.
3. STANDARD LOCKSET SIMPLEX UNICAN PUSH BUTTON OR SCHLAGE STOREROOM FUNCTION.
4. PLASTIC LAMINATE OR PAINTABLE WOOD VENEER FINISH.
5. UL RATED BALLISTIC RESISTANT FIBERGLASS, AVAILABLE IN PROTECTION LEVEL 1,2,3.
6. WOOD DOOR BLANK.
7. .040 ALUMINUM KICK PLATE AND MIDBAND, COLOR TO MATCH FRAME.
8. 16 GAUGE PRIME PAINTED STEEL SHELL
9. POLYSTYRENE SOUND INSULATION



4 BRD STEEL DOOR

Project Name:

BR DOORS
 TYPICAL DETAILS

Total Security Solutions
 170 National Park Drive
 Fowlerville, Michigan 48836
 517.223.7807 Fax: 517.223.0805

Project Number: Drawn By: BDF
 Designed By: Checked By:

Sheet Title:
PLAN / ELEVATION

Sheet Number:
BRD