

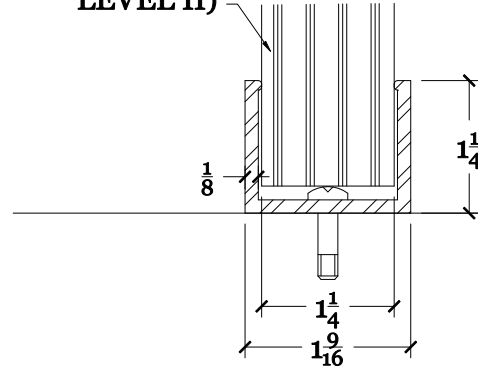
Project Name:

GLAZING CHANNELS
TYPICAL DETAILS

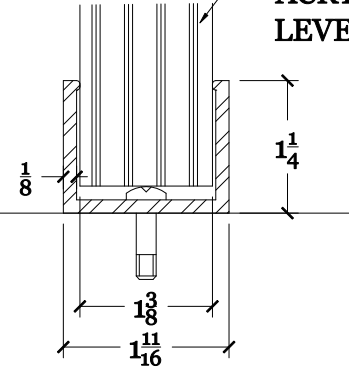
Total Security Solutions
170 National Park Drive
Fowlerville, Michigan 48836
517.223.7807 Fax: 517.223.0805

U-CHANNEL

$\frac{1}{8}$ " THICK BULLET RESISTANT ACRYLIC (UL TESTED AND RATED LEVEL II)

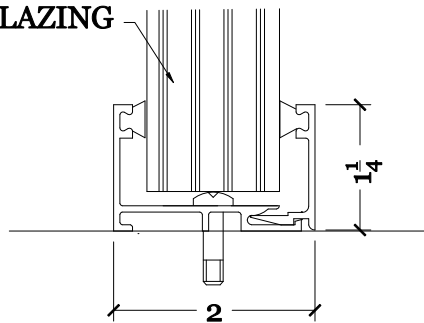


$\frac{1}{4}$ " THICK BULLET RESISTANT ACRYLIC (UL TESTED AND RATED LEVEL I AND LEVEL III)



TWO PIECE

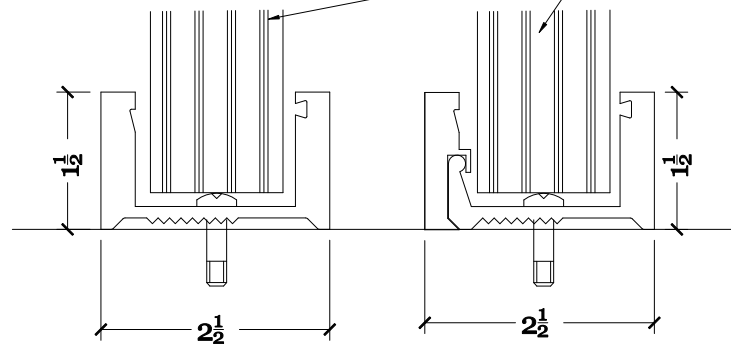
CHANNEL WILL ACCEPT LEVEL I, II OR III GLAZING



44-250

BR RATED CHANNEL

CHANNEL WILL ACCEPT LEVEL I, II OR III GLAZING



Project Number: Drawn By: BDF

Designed By: Checked By:

Sheet Title:
PLAN / ELEVATION

Sheet Number:
SSVR