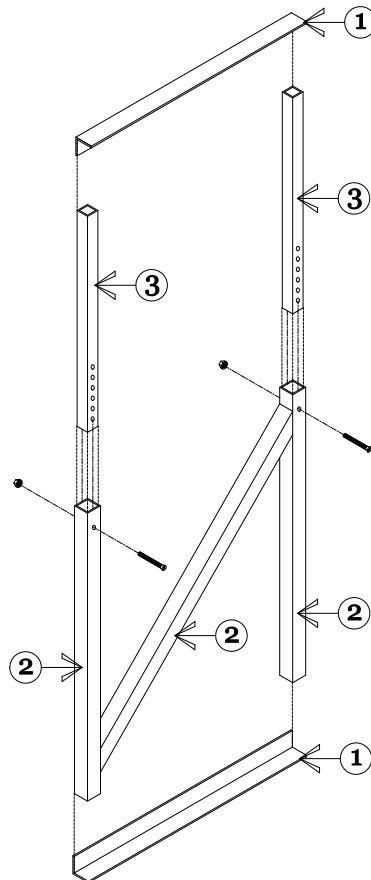
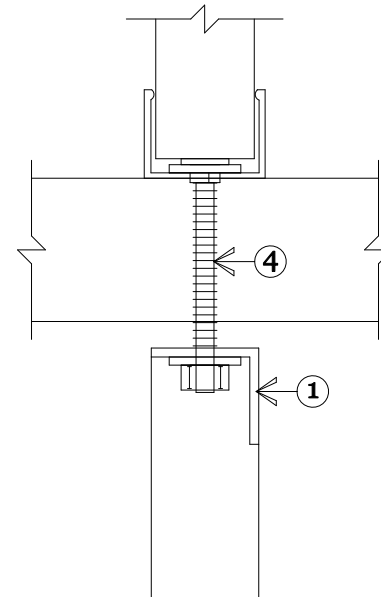


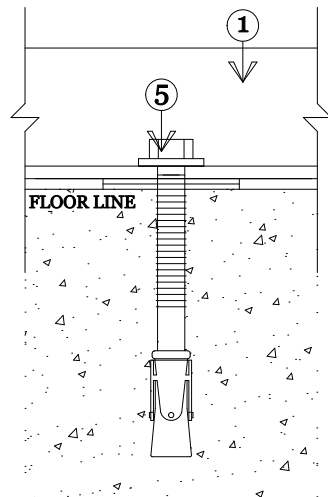
1
EQE
ELEVATION



2
EQE
CONSTRUCTION



3
EQE
COUNTER CONNECTION



4
EQE
FLOOR CONNECTION

DRAWING NOTES:

1. 1-1/2 x 1-1/2, 3/8 WALL ALUMINUM ANGLE, WELDED TO STEEL TUBE.
2. 1-1/4" - 12 GAUGE MILD STEEL TUBE. WELDED TOGETHER.
3. 1" - 12 GAUGE MILD STEEL TUBE.
4. 3/8" THREADED ROD WITH A HEX NUT AND STEEL WASHER.
5. KWIK BOLT CONCRETE FLOOR ANCHOR.

Project Name:

BR DOORS
TYPICAL DETAILS

Total Security Solutions
170 National Park Drive
Fowlerville, Michigan 48836
517.223.7807 Fax: 517.223.0805

Project Number: Drawn By: BDF

Designed By: Checked By:

Sheet Title:
PLAN / ELEVATION

Sheet Number:
EQE