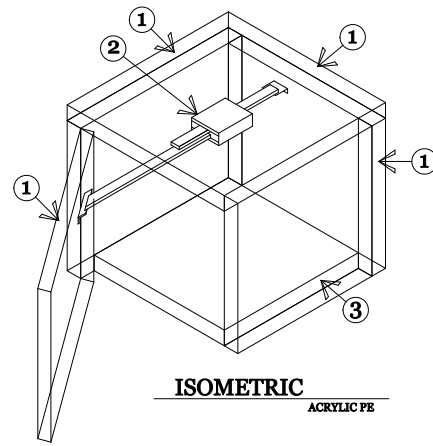
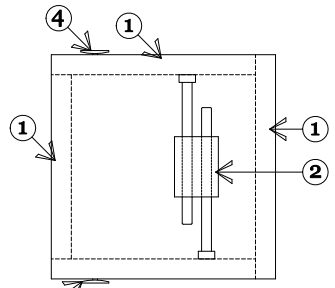


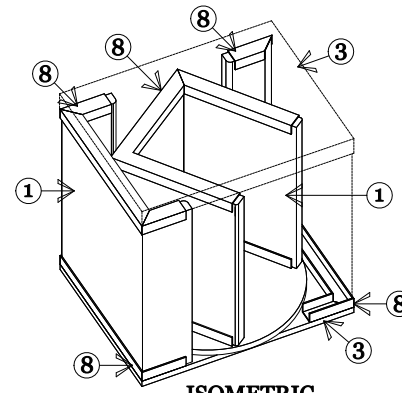
ELEVATION
ACRYLIC PE



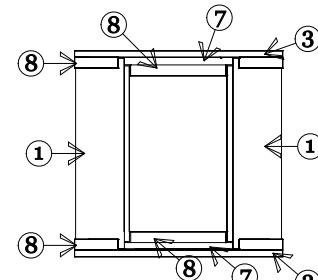
ISOMETRIC
ACRYLIC PE



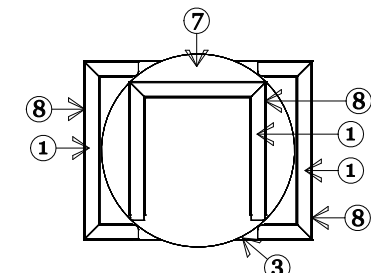
PLAN
ACRYLIC PE



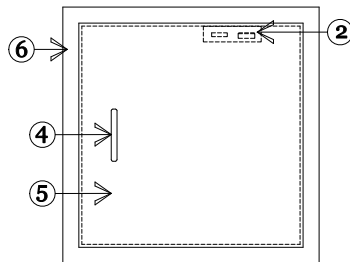
ISOMETRIC
LAZY SUSAN CUT AWAY



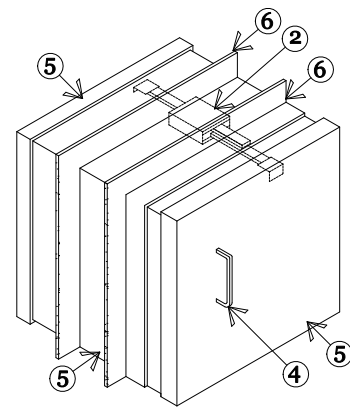
ELEVATION
LAZY SUSAN



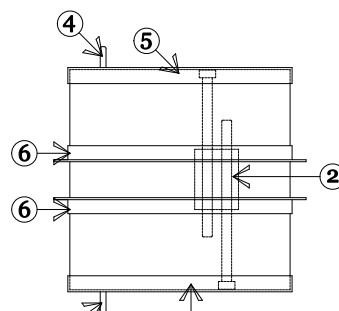
PLAN
LAZY SUSAN



ELEVATION
STEEL PE



ISOMETRIC
STEEL PE



PLAN
STEEL PE

DRAWING NOTES:

1. BULLET RESISTANT ACRYLIC. AVAILABLE IN PROTECTION LEVELS 1,2,3.
2. DOOR INTERLOCKING MECHANISM, ALLOWS ONLY ONE DOOR TO BE OPENED, PROVIDING FULL BALLISTIC PROTECTION WHILE UNIT IS IN USE.
3. PLASTIC LAMINATE BASE. STANDARD COLOR IS BLACK, AVAILABLE IN CUSTOM COLORS.
4. PULL HANDLE.
5. 1/8" STEEL.
6. STEEL TRIM RING TO FINISH BOTH SIDES OF WALL PENETRATION.
7. PLASTIC LAMINATE ROTATING BASE. COLOR TO MATCH FIXED PLASTIC LAMINATE BASE.
8. EXTRUDED ALUMINUM CHANNEL. SIZED TO MATCH THE LEVEL OF PROTECTION.

Project Name:

PACKAGE EXCHANGE UNITS

TYPICAL DETAILS

Total Security Solutions

170 National Park
Fowlerville, MI 48836

Issue Date:

Revisions

No.	Date	Description

These drawings and all information hereon are of a confidential nature and remain the property of TOTAL SECURITY SOLUTIONS. Any use or reproduction of these drawings without the written permission of TOTAL SECURITY SOLUTIONS is strictly prohibited.

Project Number: Drawn By: BDF

Designed By: Checked By:

Sheet Title:

Sheet Number:

A1