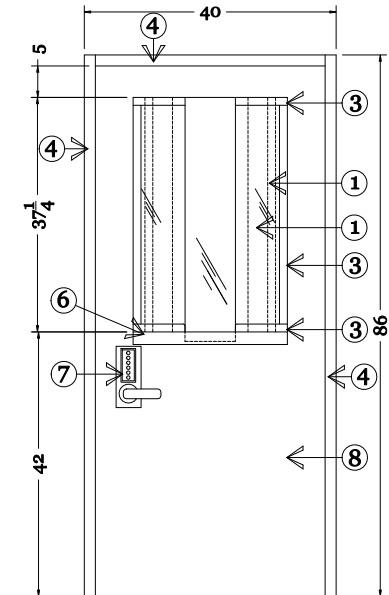
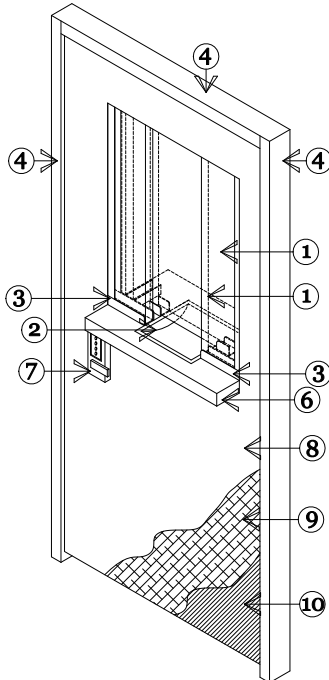


ARCH STYLE

DRAWING NOTES:

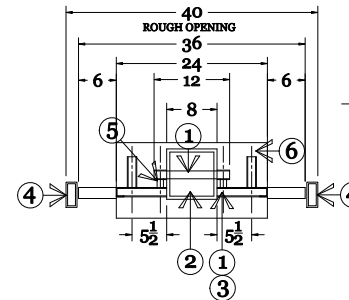
- BULLET RESISTANT ACRYLIC OR ACRYLIC/POLYCARBONATE COMPOSITE. AVAILABLE IN PROTECTION LEVELS 1,2,3.
- 18 GAUGE BRUSHED STAINLESS STEEL RECESSED DEAL TRAYS. STANDARD SIZE 10w x 8d FOR ARCH. 8w x 8d FOR BAFFLE.
- EXTRUDED ALUMINUM CHANNEL. SIZED TO MATCH THE LEVEL OF ACRYLIC PROTECTION. STANDARD COLORS: ARCHITECTURAL BRONZE AND CLEAR ANODIZED ALUMINUM. CUSTOM COLORS ARE AVAILABLE.
- ALUMINUM TUBE FRAME, SIZED BASED ON WIDTH AND HEIGHT OF ASSEMBLED UNIT. TUBE SIZE IS 1-3/4 x 4 OR 1 x 4.
- ACRYLIC DOWEL SPACERS.
- PLASTIC LAMINATE COUNTER TOP. WIDTH SIZED TO MATCH OPENING WIDTH. MAXIMUM DEPTH IS 18", MINIMUM DEPTH IS 12". COUNTER TOP IS 1-1/2" THICK.
- STANDARD LOCKSET SIMPLEX UNICAN PUSH BUTTON OR SCHLAGE STOREROOM FUNCTION.
- PLASTIC LAMINATE OR PAINTABLE WOOD VENEER FINISH.
- UL RATED BALLISTIC RESISTANT FIBERGLASS, AVAILABLE IN PROTECTION LEVEL 1,2,3.
- WOOD DOOR BLANK.



Standard Door Notes:

Finished Opening: 40 x 86
 Jamb Size: 39 3/4 x 85 3/4"
 Door Size: 35 1/2 x 83 3/8"
 Level 1,2,3

Finish: Paint Grade Wood or Plastic Laminate
 Lockset: Simplex Unican or Schlage Storeroom
 Door Closer: International 1581
 Anti-Jimmy: Included on out swing doors



BAFFLE STYLE

Project Name:

ARCH WINDOW SYSTEM

TYPICAL DETAILS
 COUNTER W/ RISERS

Total Security Solutions

170 National Park Drive
 Fowlerville, Michigan 48836
 517.223.7807 Fax: 517.223.0805

Issue Date:

Revisions

No.	Date	Description

These drawings and all information herein are of a confidential nature and remain the property of TOTAL SECURITY SOLUTIONS. Any use or reproduction of these drawings without the written permission of TOTAL SECURITY SOLUTIONS is strictly prohibited.

Project Number: Drawn By: BDF
 Designed By: Checked By:

Sheet Title:

Sheet Number: