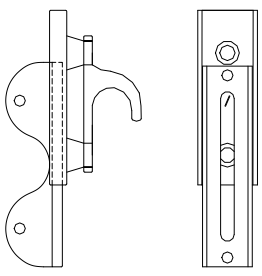
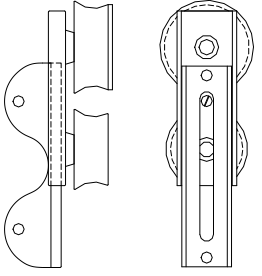
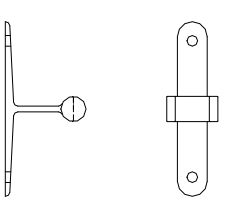
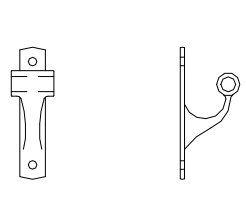


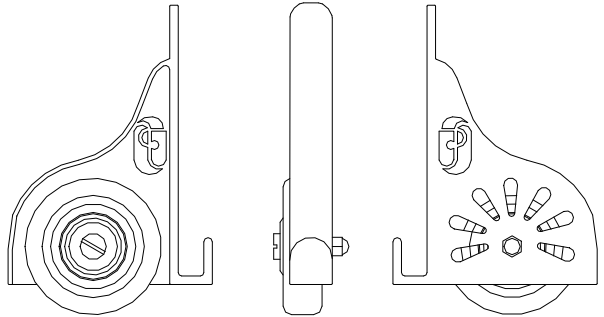
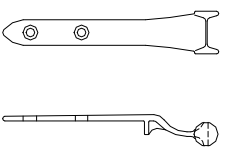
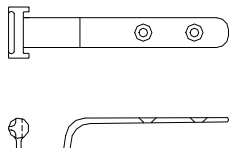

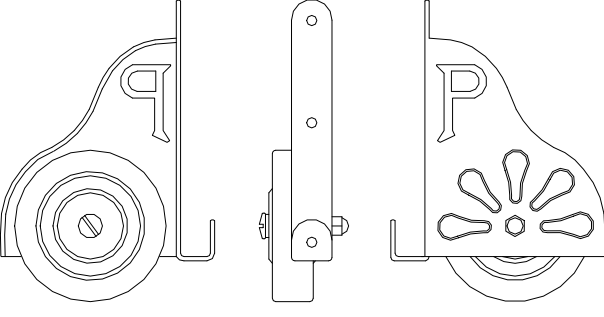


TOP FIXTURES FOR NO.1 ROLLING LADDER		BRACKETS FOR TRACK	
 <p>NO.230 HOOK SLIDE</p>	 <p>NO.210 ROLL TYPE</p>	 <p>NO.14</p>	 <p>NO.14H</p>
BOTTOM FIXTURES FOR NO.1 ROLLING LADDER		 <p>NO.27</p>	 <p>NO.27H</p>
 <p>NO.270 OLD STYLE</p>	 <p>NO.29GR</p>	 <p>NO.29H</p>	 <p>TRACK</p>
 <p>NO.270 REGULAR</p>	<p>Putnam Rolling Ladder Co., Inc. 32 HOWARD STREET - NEW YORK, N.Y. 10013 (212) 226 - 5147 - FAX (212) 941 - 1836 WEB SITE: PUTNAMROLLINGLADDER.COM E-MAIL: PUTNAM1905@AOL.COM</p>		