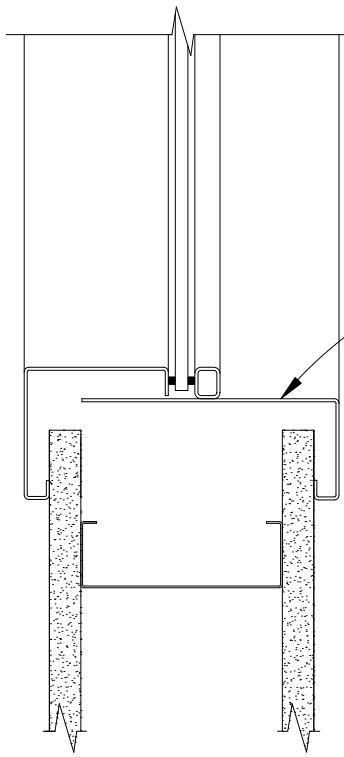


REFER TO WALL TYPE
PLAN FOR DESCRIPTION

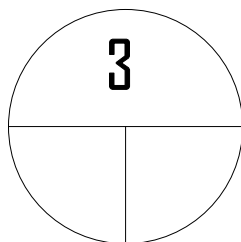
LEAD LINED GYP. BD.
PANELS - EXTEND
LEAD INTO FRAME

2' HOLLOW METAL FRAME
W/LEAD SHIELDING -
2" ON LEAD LINED SIDE
1 3/8" ON CONTROL ROOM SIDE
ATTACH PER MFR.
RECOMMENDATIONS -
GROUT SOLID



STEEL TELESCOPIC LEAD LINED WINDOW FRAMES
MATCH HOLLOW METAL DOOR FRAMES.
ADJUSTABLE TO WALL THICKNESS OF 4 1/4" TO 6".

CONTROL
ROOM



LEADED GLAZING ADJ. SILL AND JAMB DETAIL