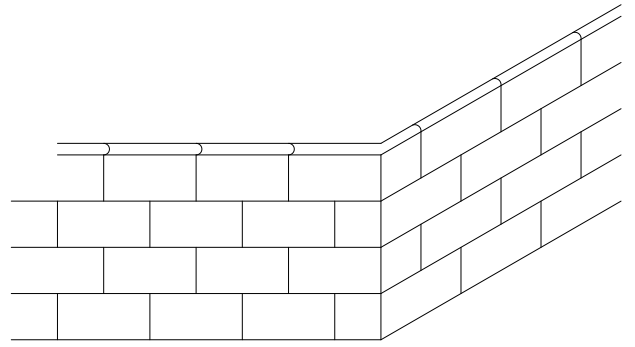
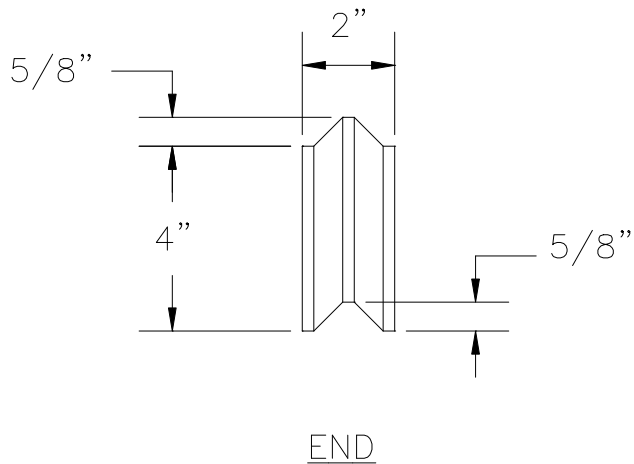
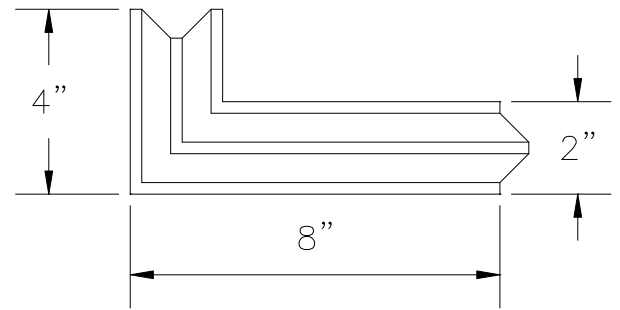
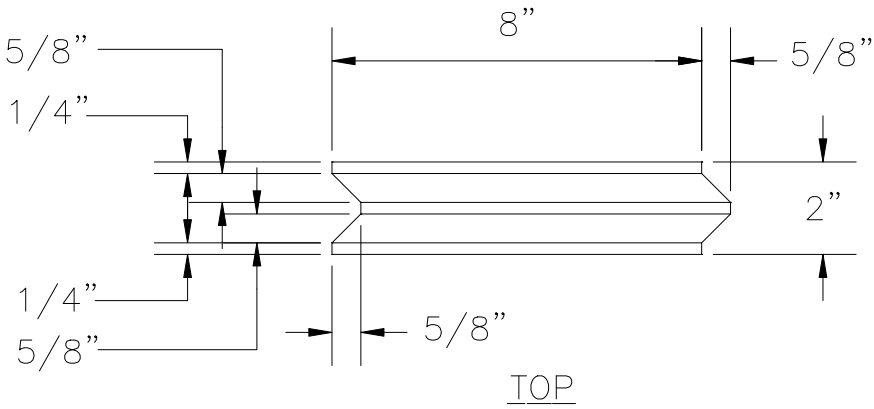
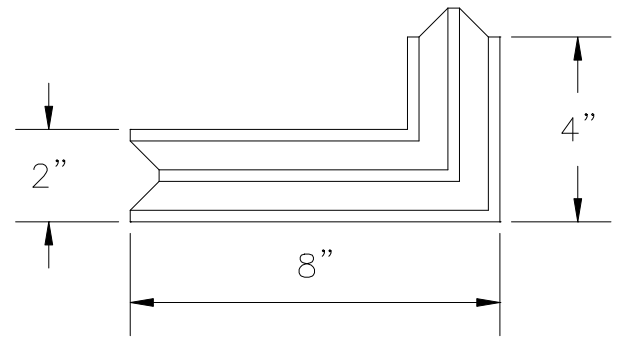
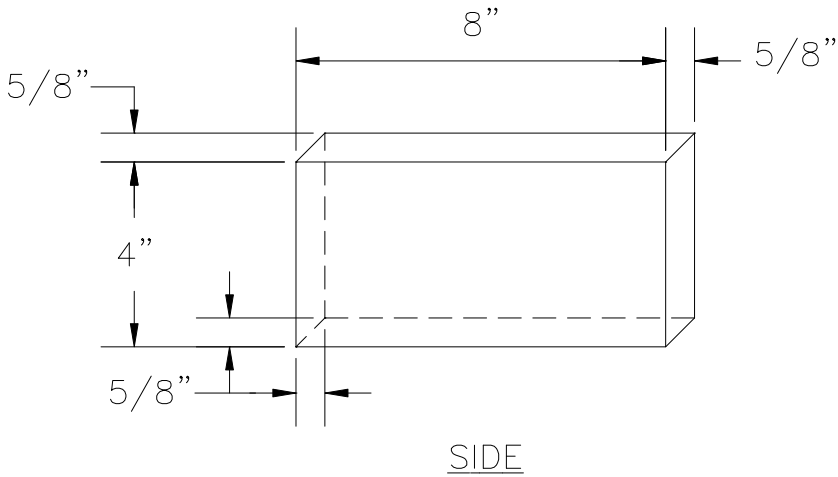


RPP'S INTERLOCKING LEAD BRICKS
TONGUE AND GROOVED

AVAILABLE IN VARIOUS
THICKNESS, HEIGHTS AND
LENGTHS.



TYPICAL WALL ELEVATION



SHOWN: STANDARD 2"x4"x8"
CORNERS SHOWN AVAILABLE
IN BOTH 4" AND 8" LENGTHS