

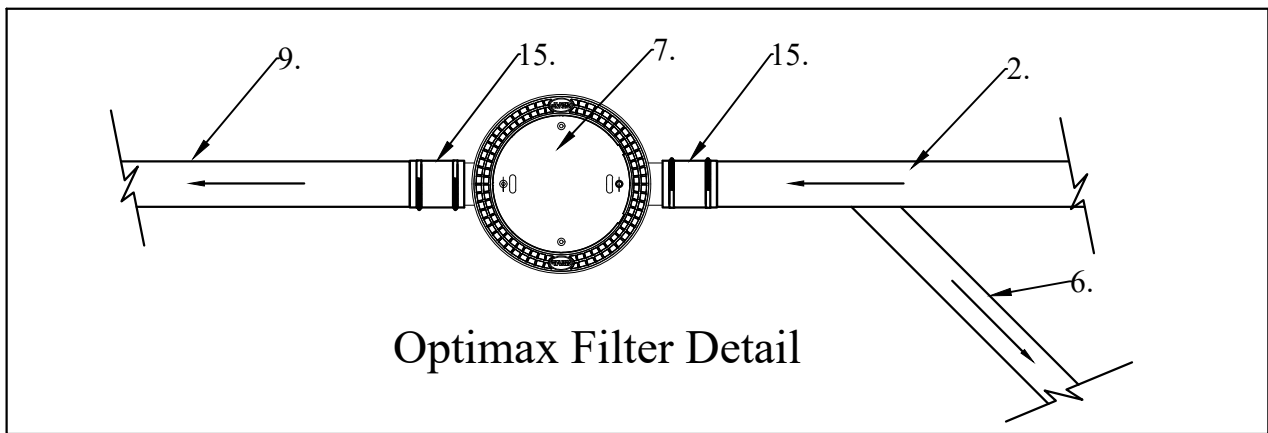
Legend A	
A.	6" Diameter Sch 40 PVC Horizontal Pipe
B.	2"NPT (6" Center To Center) Duplex Service Fitting
C.	Riser Pipe, 29 3/8" O.D., For 30"(Nominal) Access Opening
D.	30" Diameter x 36" High PVC Access Riser With FRP Lid
E.	8' High Fiberglass Ladder (16" Wide, Tank Mounted)
F.	6" Diameter Sch 40 PVC Vertical Pipe
G.	Lifting Lugs
H.	16' Prefabricated Concrete Deadmen (Optional)

Legend B	
1.	8' Diameter Single Wall Fiberglass Tank Capacity 15,000 Gallons
2.	Rain Water Input from Roof or other Source
3.	RainFlo FI6000, Variable Speed Pump and PVC Housing
4.	2" Floating Pump Extractor with suction hose and 1.2mm Stainless Steel Screen Intake
5.	6" RainFlo Calming Inlet
6.	6" Clean Water Outlet from GRAF Filter to Inlet of Tank
7.	Graf Industrial Optimax Filter
8.	2" Half Coupling
9.	Debris Flushed out to Storm Drain with Overflow
10.	6" RainFlo Overflow Siphon
11.	30" PVC Access Riser and FRP Lid
12.	Access Ladder
13.	Cast Iron Lid and Ring (by others)
14.	Opticlean Spray Head
15.	Flexible Coupler For Pipe Connections (Typical)

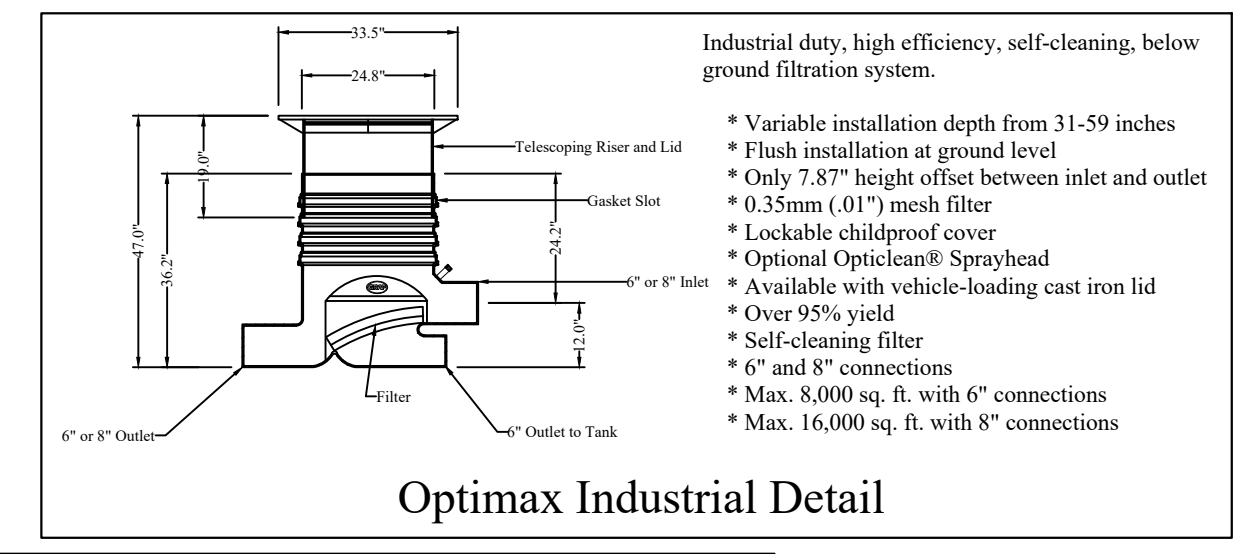
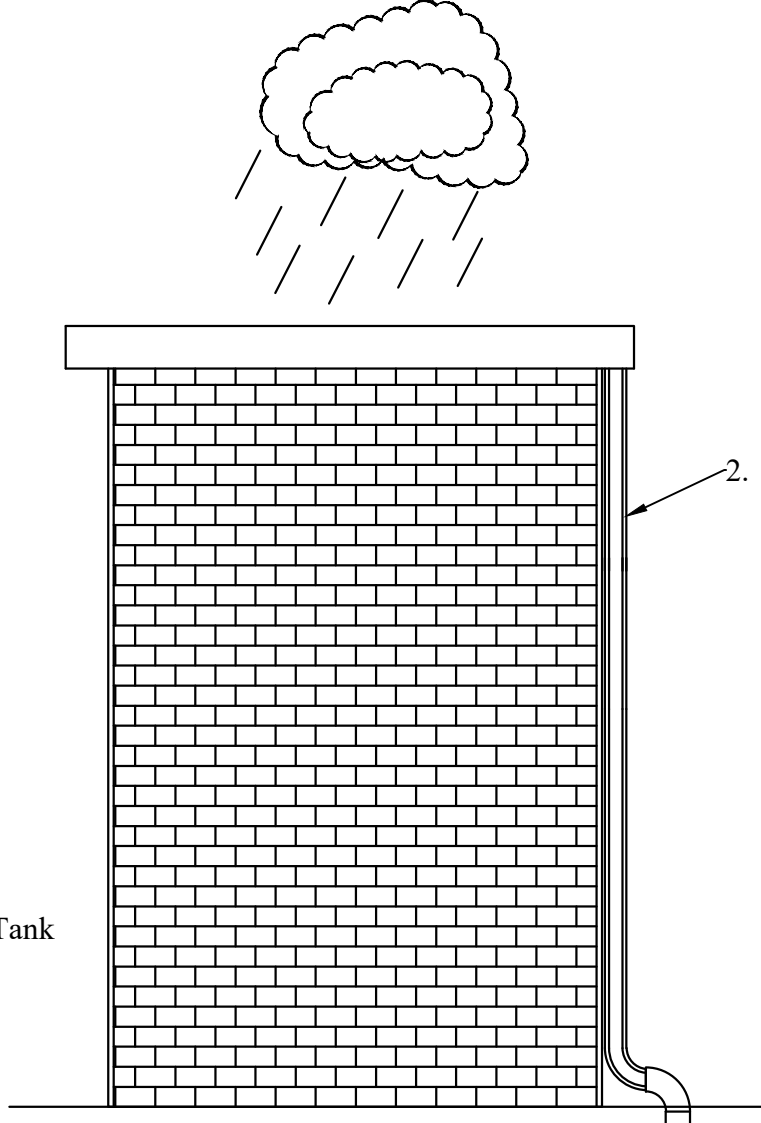
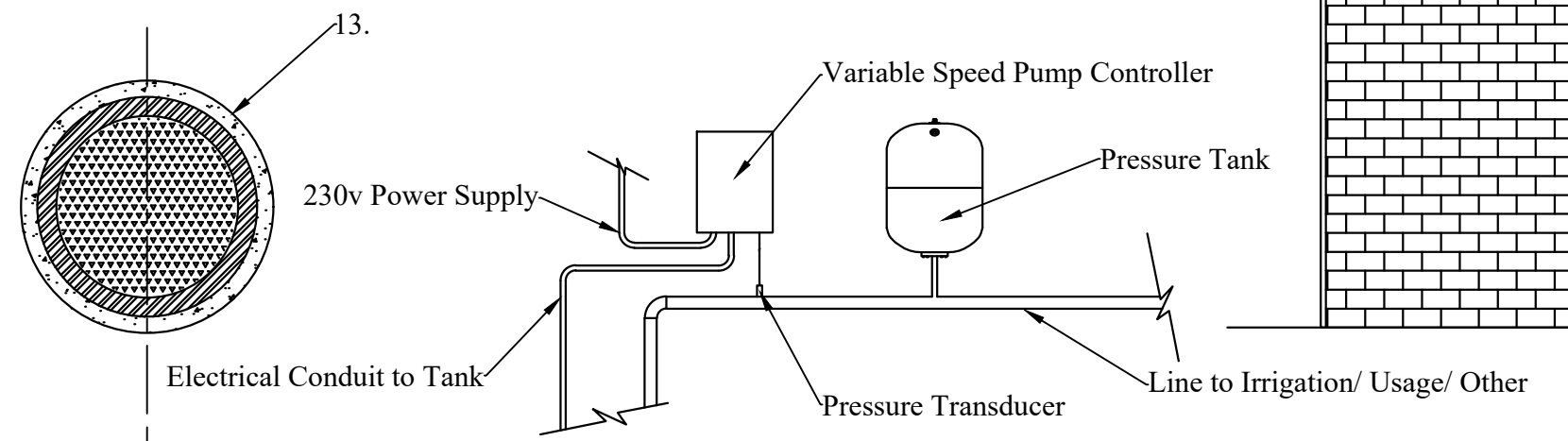
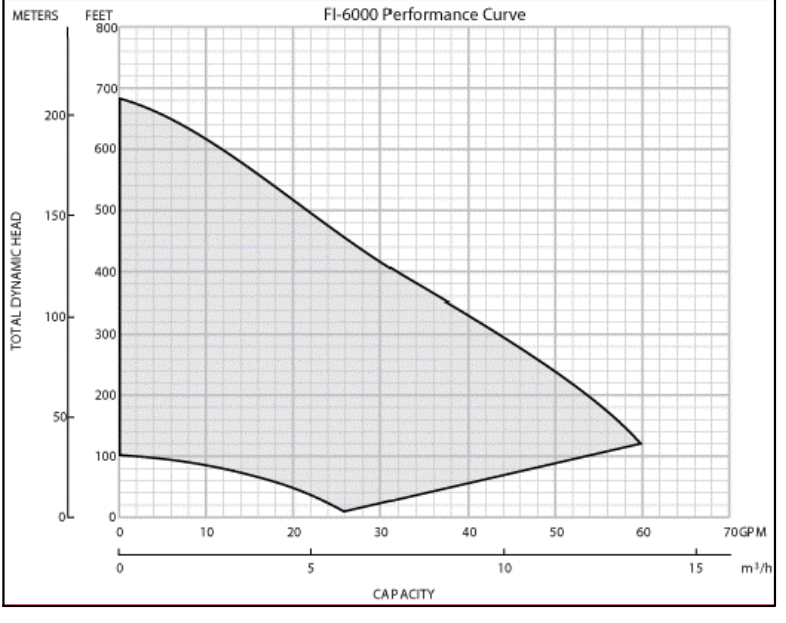
Precast dead man system with straps and turnbuckle assembly

Tank Detail

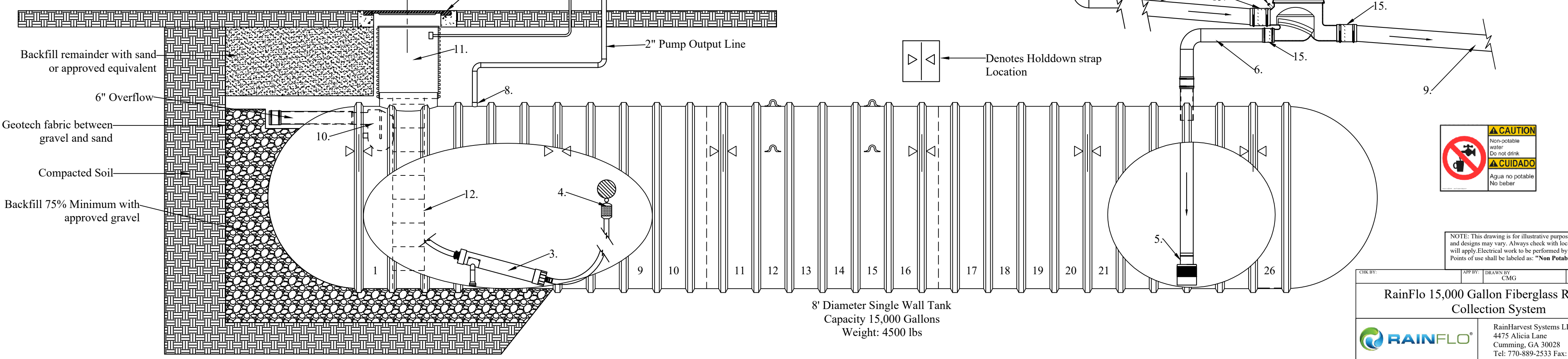
USERS Responsibility
 Rainwater supplied by RainHarvest Systems is NON-Potable water. Warning do not drink water supplied from RainHarvest Systems rainwater systems and related equipment. We will be happy to offer suggestions on the use of our various products either by way of printed material or through direct contact with RainHarvest Systems team members. However, since we have no control over the use of our products once they are shipped, NO WARRANTY WEATHER OF MERCHANTABILITY, FITNESS FOR PURPOSE, OR OTHERWISE is made beyond the repair, replacement, or refund of purchase price at the sole discretion of RainHarvest Systems. Users shall determine the suitability of the product for the intended application before using, and the users assume all risk and liability whatsoever in connection therewith, regardless of any team members suggestions or statements as to the application or construction. In no event of the purchase price of the product. Consult local building codes for the system use.



Optimax Filter Detail



Optimax Industrial Detail



8' Diameter Single Wall Tank
 Capacity 15,000 Gallons
 Weight: 4500 lbs



NOTE: This drawing is for illustrative purposes only. Actual systems and designs may vary. Always check with local building codes as they will apply. Electrical work to be performed by licensed professional. Points of use shall be labeled as: "Non Potable water, Do Not Drink!"

APP BY:	DRAWN BY:	QUOTE NO.:	SHEET:
	CMG		1 OF 1
RainFlo 15,000 Gallon Fiberglass Rainwater Collection System			
		RainHarvest Systems LLC. 4475 Alicia Lane Cumming, GA 30028 Tel: 770-889-2533 Fax: 770-889-2577	