

CentriPro Aquavar Variable Speed Pump Controller  
(See CentriPro Manual for Detailed Instructions)

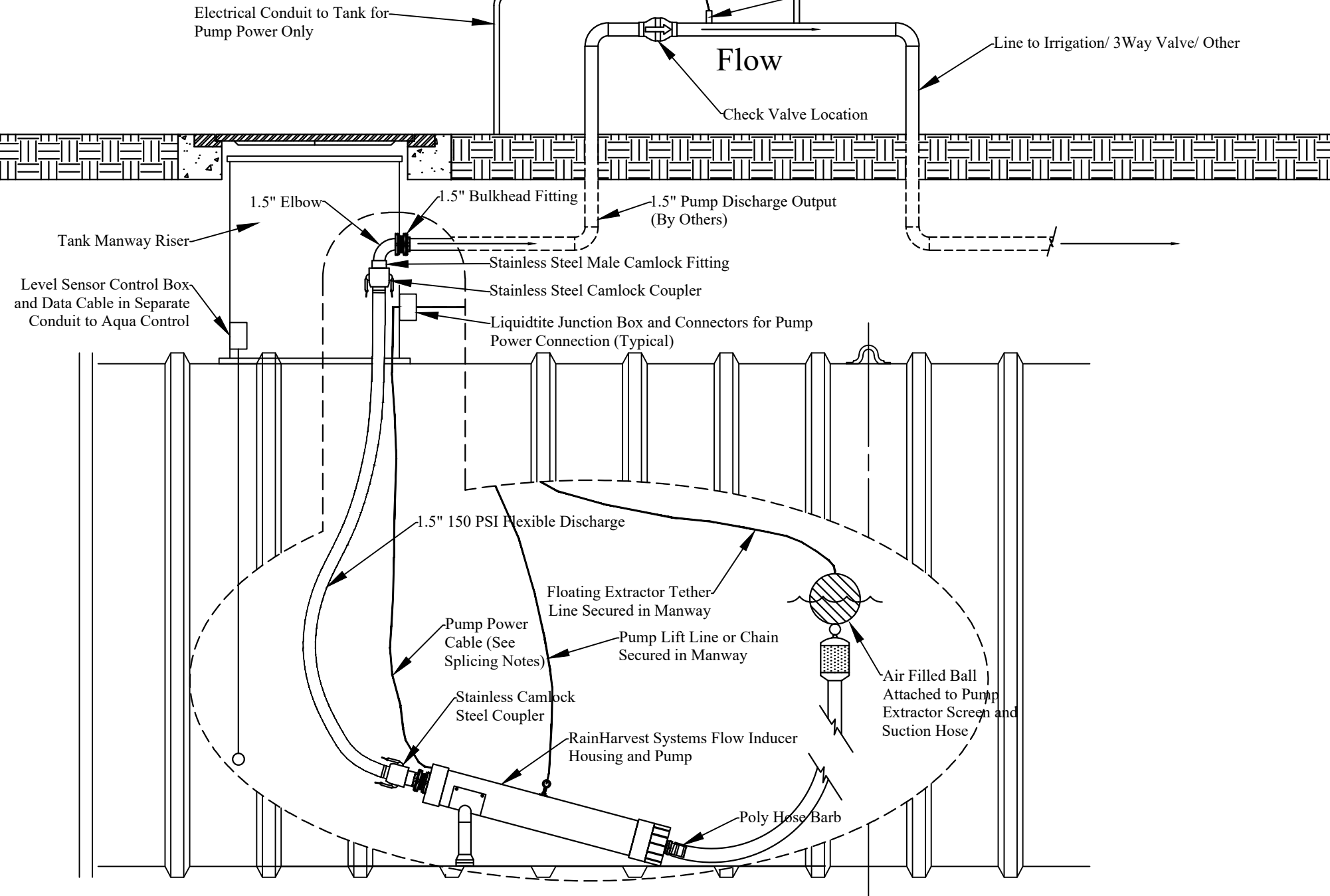
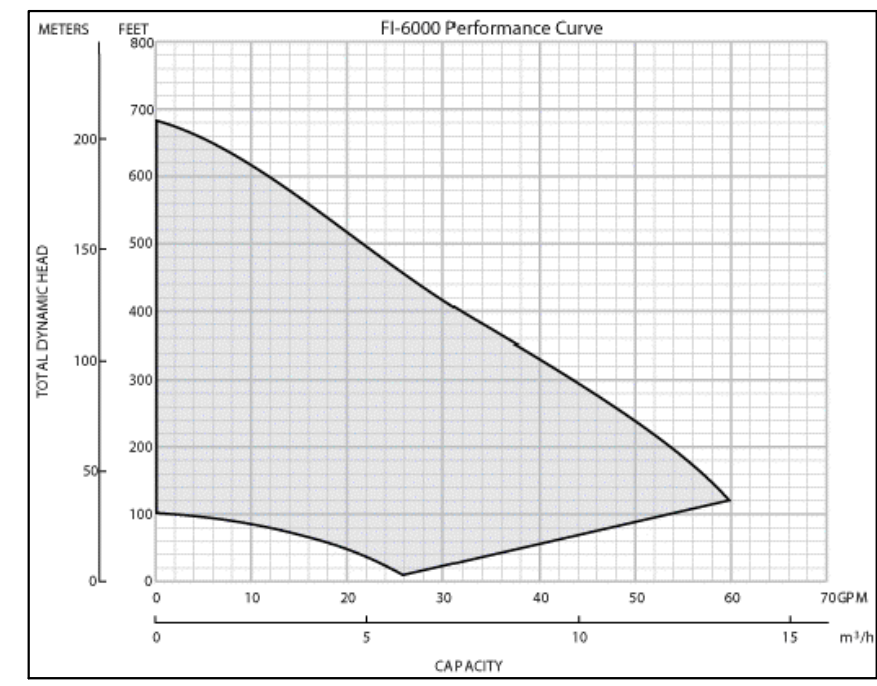
230v (+/- 10%) Single Phase Power Supply  
(See Manual for Breaker Sizing)

20 Gallon Fiberglass Pressure Tank

Pressure Transducer Plumbed Into Pump Discharge Line  
(See CentriPro Manual for Detailed Instructions)

Electrical Conduit to Tank for Pump Power Only

Line to Irrigation/ 3Way Valve/ Other

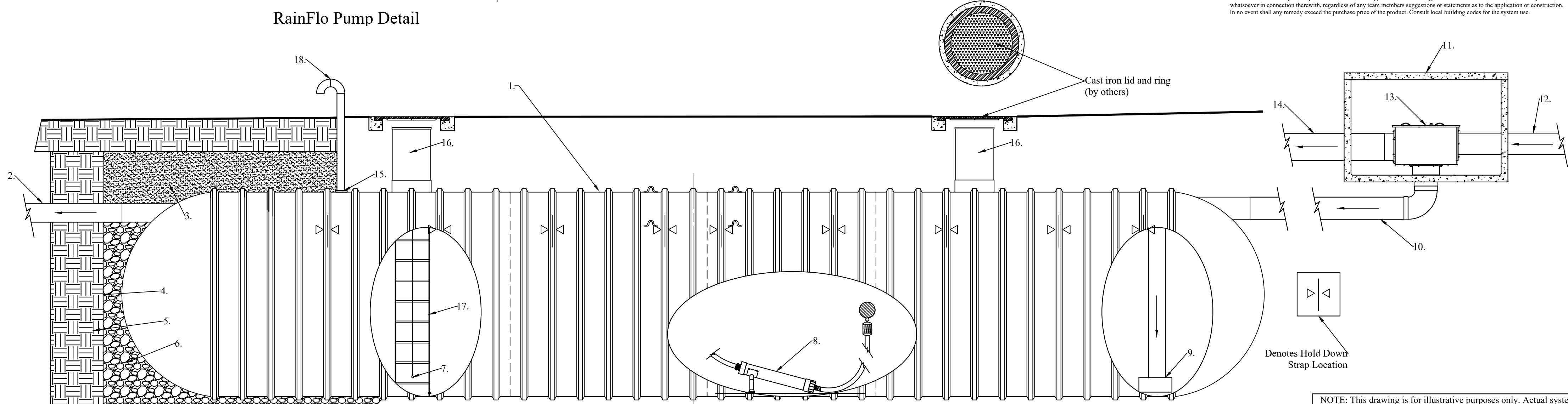


RainFlo Pump Detail

Legend A	
1.	10' Diameter Single Wall Fiberglass Tank Capacity 40,000 Gallons
2.	12" PVC Overflow with Flexible Connection (2)
3.	Sand or approved equivalent backfilled Top Portion of Tank
4.	Geotech fabric between gravel and sand
5.	Compacted Soil
6.	Backfill 75% of Tank with Approved Gravel
7.	Tank Level Sensor
8.	RainHarvest Systems FI-6000 5 HP 59GPM @ 60 PSI, Variable Speed Pump and Housing with 2" Stainless Steel Floating Extractor
9.	Calming Inlet Device

10.	10" Clean Water Inlet From Filtration Vault (2)
11.	Filtration Vault
12.	Drainage Input (2)
13.	Graf XXL Filtration (2)
14.	Overflow and Debris Flush Outlet (2) and Connection to Drainage Manifold
15.	6" Full Coupling (Vent)
16.	30" Manway location and height TBD
17.	Ladder
18.	Tank Vent (4" Typical)

**USER'S Responsibility**  
 Untreated Rainwater is NON-Potable water. Warning do not drink water supplied from RainHarvest Systems rainwater systems and related equipment. We will be happy to offer suggestions on the use of our various products either by way of printed material or through direct contact with RainHarvest Systems team members. However, since we have no control over the use of our products once they are shipped, NO WARRANTY WHETHER OF MERCHANTABILITY, FITNESS FOR PURPOSE, OR OTHERWISE is made beyond the repair, replacement, or refund of purchase price at the sole discretion of RainHarvest Systems. Users shall determine the suitability of the product for the intended application before using, and the users assume all risk and liability whatsoever in connection therewith, regardless of any team members suggestions or statements as to the application or construction. In no event shall any remedy exceed the purchase price of the product. Consult local building codes for the system use.



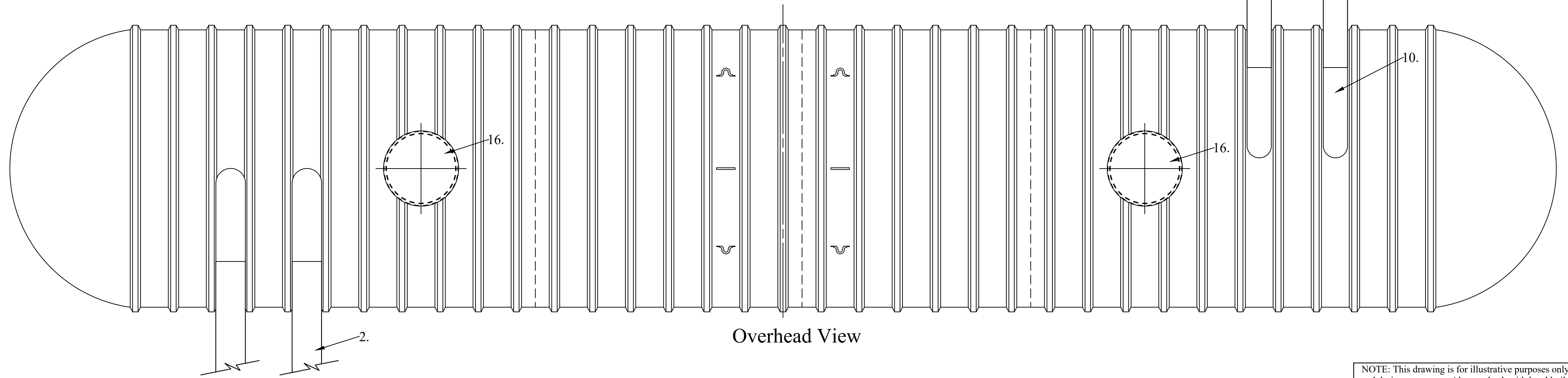
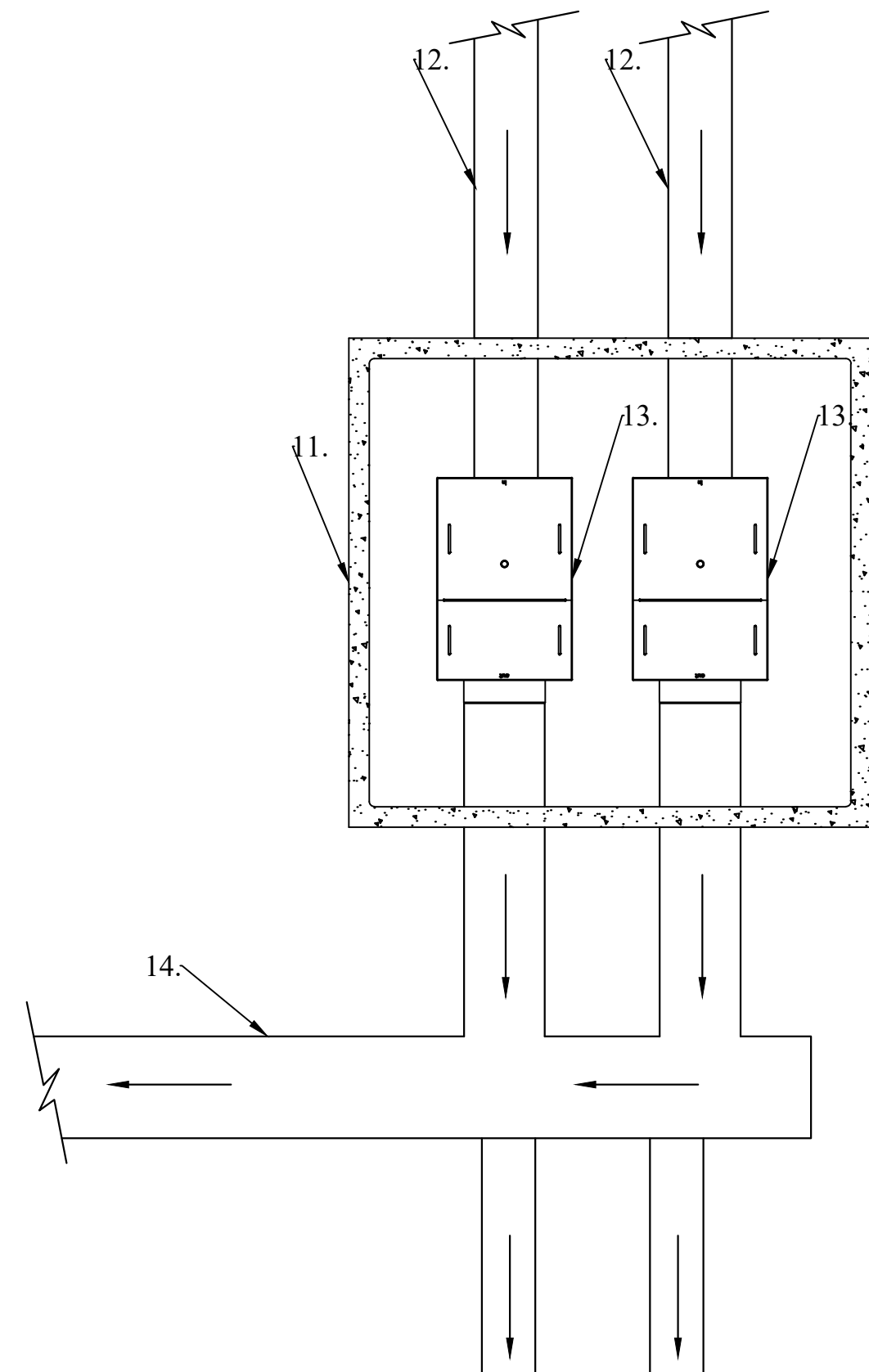
10' Diameter Single Wall 40,000 Gallon Tank with Pump and Accessories  
 Nominal Weight 12,100 lbs. (Tank Only)



NOTE: This drawing is for illustrative purposes only. Actual systems and designs may vary. Always check with local building codes as they will apply. Electrical work to be performed by licensed professional. Points of use shall be labeled as: "Non Potable water, Do Not Drink!"

CHK BY:	APP BY:	DRAWN BY:	QUOTE NO.:	SH#:
		CMG		1 OF 1
<b>RainFlo 40,000 Gallon Collection System</b>				
		RainHarvest Systems LLC. 4475 Alicia Lane Suite 100 Cumming, GA 30028 Tel: 770-889-2533 Fax: 770-889-2577		

Legend A			
1.	10' Diameter Single Wall Fiberglass Tank Capacity 40,000 Gallons	10.	10" Clean Water Inlet From Filtration Vault (2)
2.	12" PVC Overflow with Flexible Connection (2)	11.	Filtration Vault
3.	Sand or approved equivalent backfilled Top Portion of Tank	12.	Drainage Input (2)
4.	Geotech fabric between gravel and sand	13.	Graf XXL Filtration (2)
5.	Compacted Soil	14.	Overflow and Debris Flush Outlet (2) and Connection to Drainage Manifold
6.	Backfill 75% of Tank with Approved Gravel	15.	6" Full Coupling (Vent)
7.	Tank Level Sensor	16.	30" Manway location and height TBD
8.	RainHarvest Systems FI-6000 5 HP 59GPM @ 60 PSI, Variable Speed Pump and Housing with 2" Stainless Steel Floating Extractor	17.	Ladder
9.	Calming Inlet Device	18.	Overflow Siphon Device



NOTE: This drawing is for illustrative purposes only. Actual systems and designs may vary. Always check with local building codes as they will apply. Electrical work to be performed by licensed professional. Points of use shall be labeled as: "Non Potable water, Do Not Drink!"

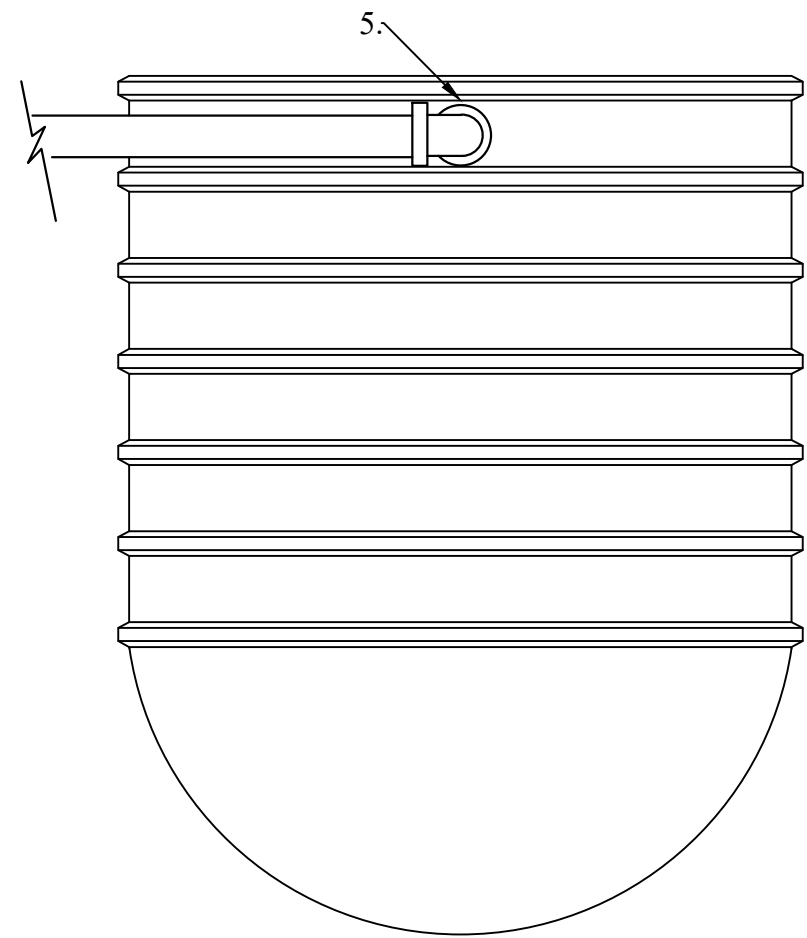
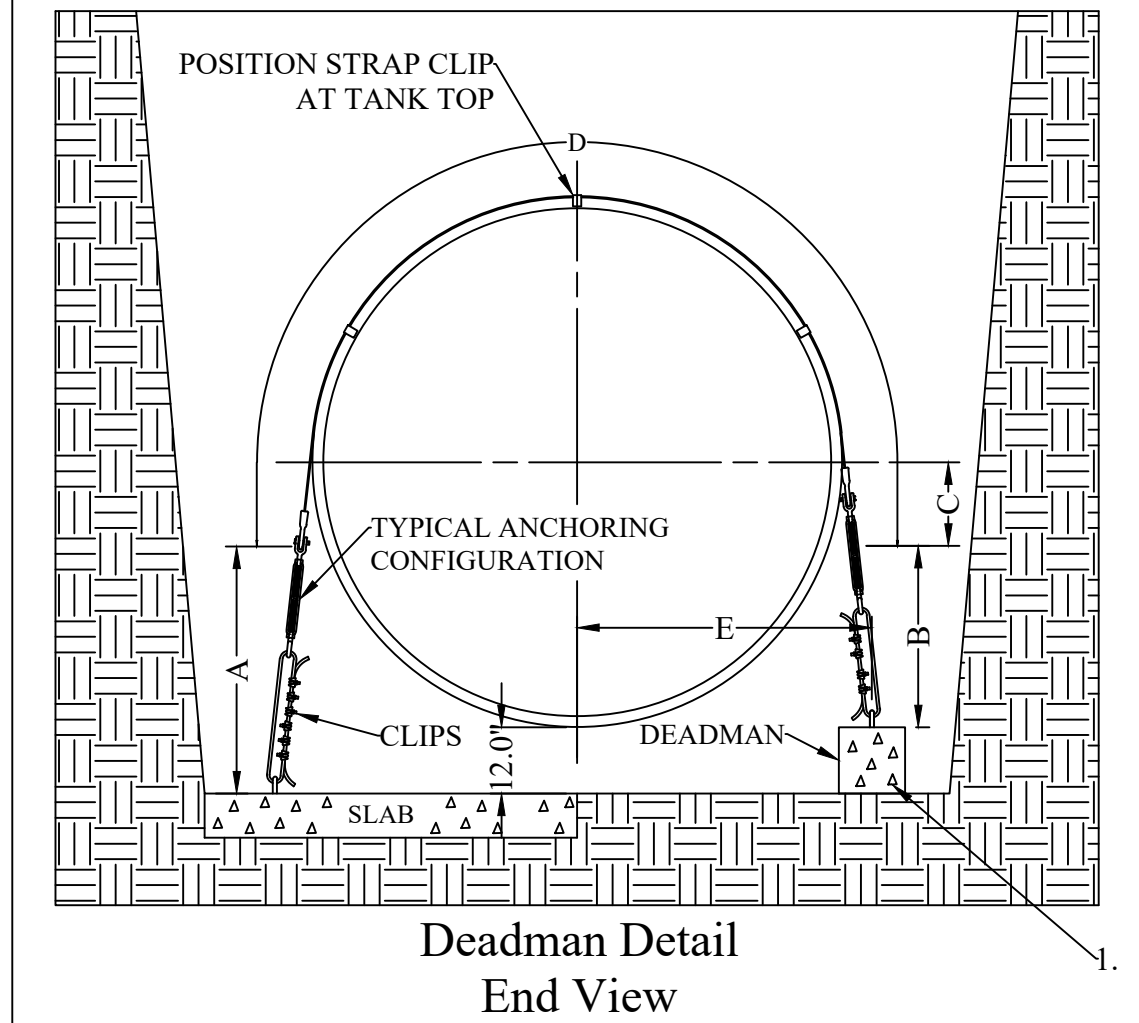
CHK BY:	APP BY:	DRAWN BY: CMG	QUOTE NO.:	SH.#: 1 OF 1
---------	---------	------------------	------------	-----------------

### RainFlo 40,000 Gallon Collection System

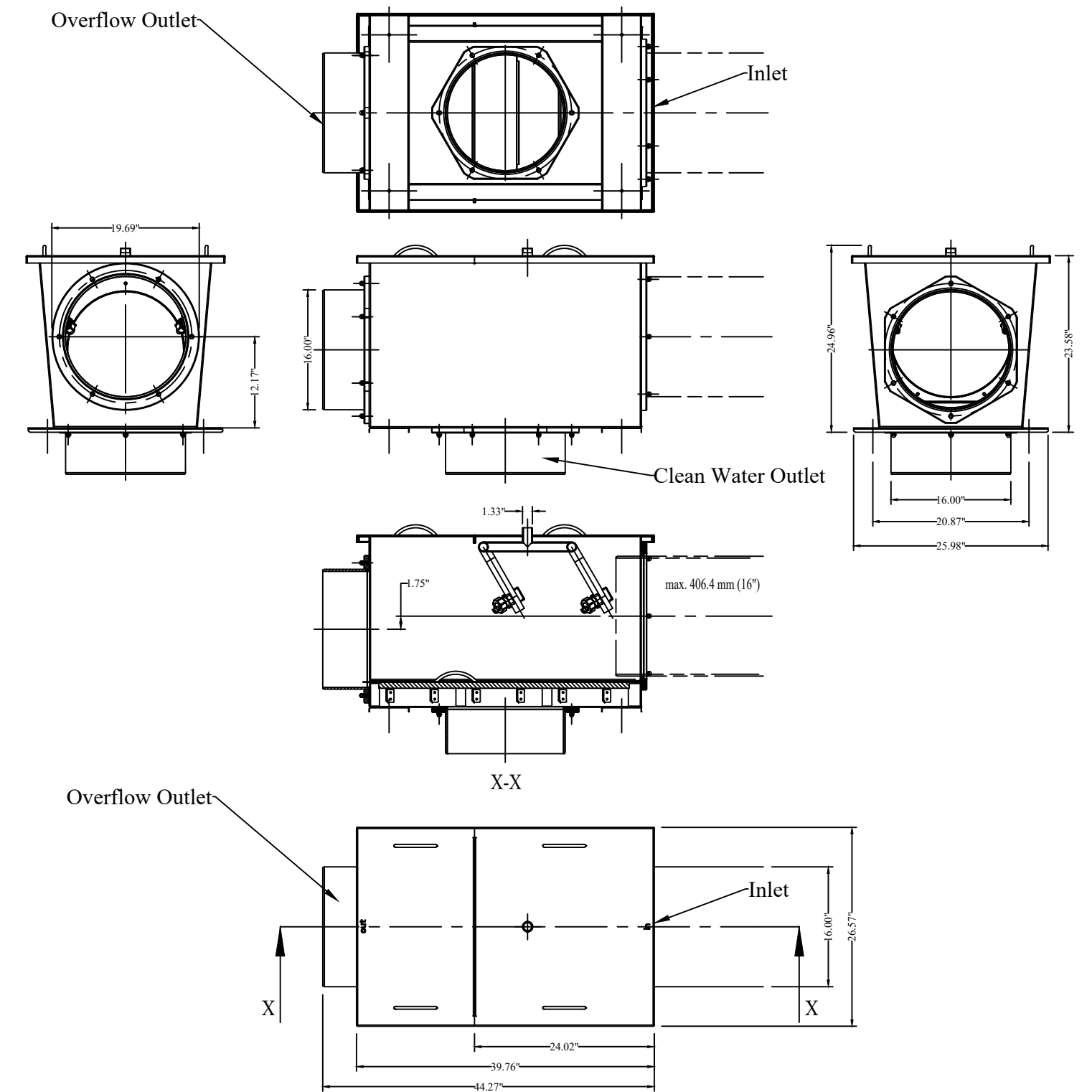


RainHarvest Systems LLC.  
4475 Alicia Lane Suite 100  
Cumming, GA 30028  
Tel: 770-889-2533 Fax: 770-889-2577

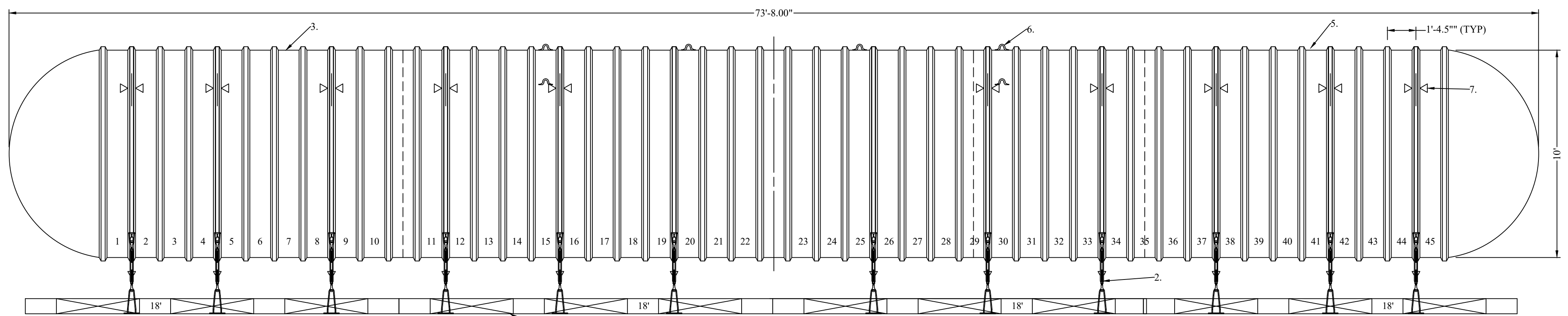
ANCHORING DIMENSIONS						
TANK DIA.	"A"	"B"	"C"	"D"	"E" MIN.	"E" MAX.
4"	24"	18"	12"	8'-4-1/4"	27"	30"
6"	35"	23"	13"	12'-1"	42"	48"
8"	43"	31"	15"	15'-4"	52"	58"
10"	57"	45"	15"	18'-8-3/4"	69"	75"
12"	58"	50"	23"	22'-6-3/4"	87"	93"



Legend B	
1.	Precast Deadman Weighting
2.	Hold down Strap Turnbuckles
3.	12" PVC Overflow (2) Side Mounted Location TBD
4.	4" Half Couplings
5.	10" PVC Tank Inlet (2) Side Mounted Location TBD
6.	Lifting Lugs
7.	Deadmen Location



## Graf XXL Filtration System



Tank and Deadman Layout  
Nominal Weight 12,100 lbs. (Tank Only)

NOTE: This drawing is for illustrative purposes only. Actual systems and designs may vary. Always check with local building codes as they will apply. Electrical work to be performed by licensed professional. Points of use shall be labeled as: "Non Potable water, Do Not Drink!"

CHK BY:	APP BY:	DRAWN BY: CMG	QUOTE NO.:	SH.# 1 OF 1
<b>RainFlo 40,000 Gallon Collection System</b>				
		RainHarvest Systems LLC. 4475 Alicia Lane Suite 100 Cumming, GA 30028 Tel: 770-889-2533 Fax: 770-889-2577		