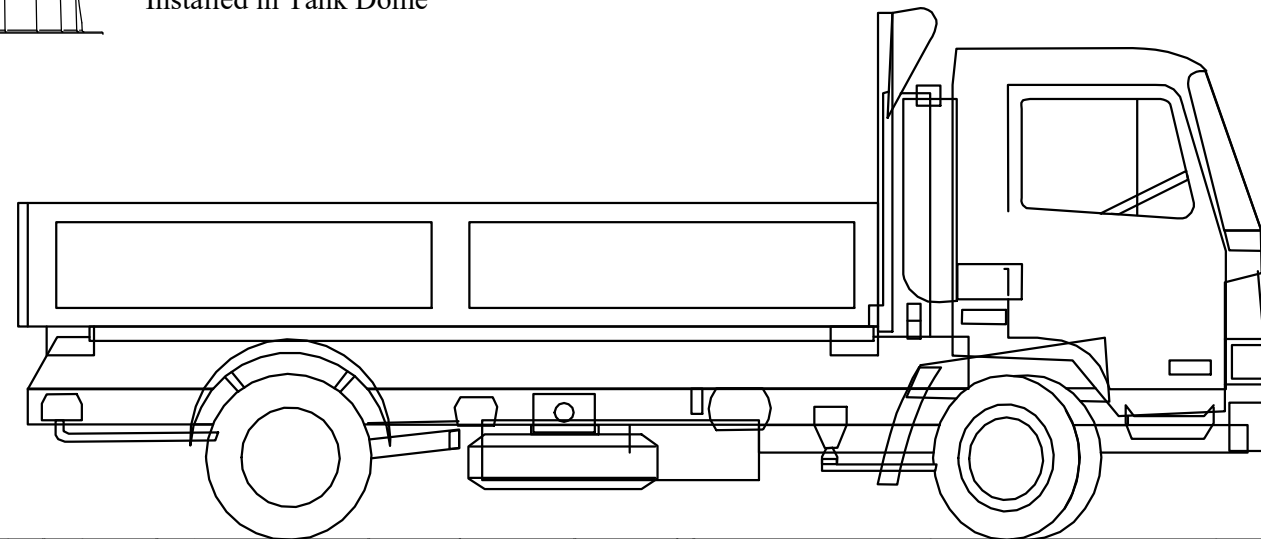
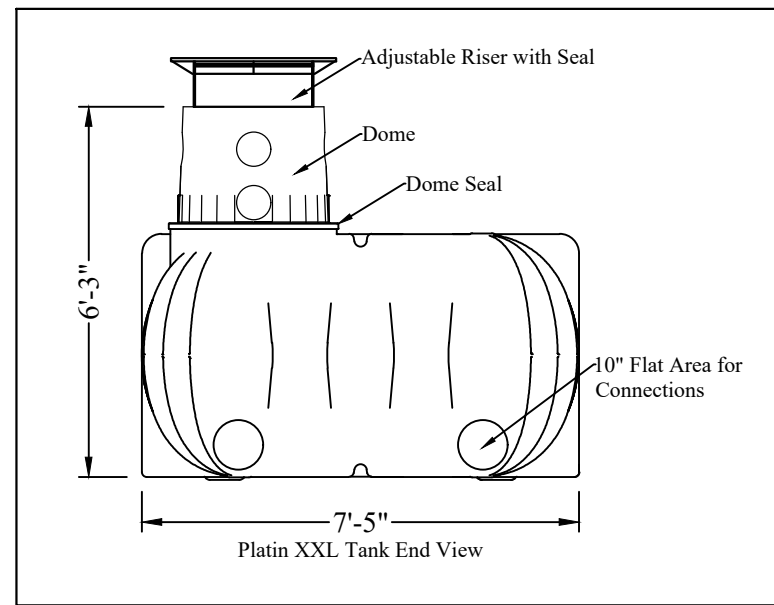
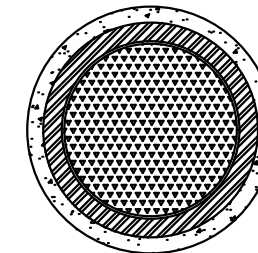


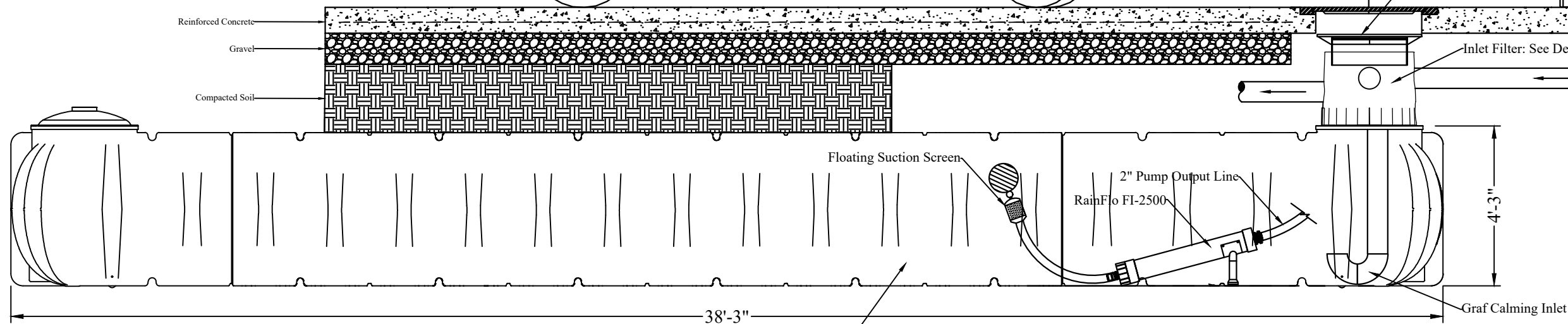
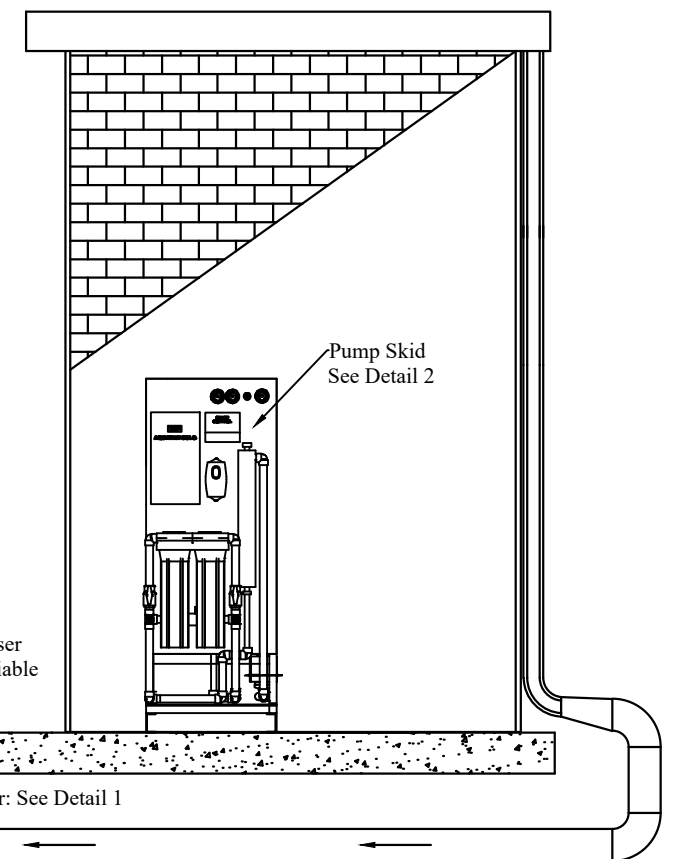
Detail 1



Cast iron lid and ring (by others) set so as to prevent transferring any load to tank riser



Telescoping Riser Allows for Variable Bury Depth



Graf Platin XXL 6600 Gallon Tank



NOTE: This drawing is for illustrative purposes only. Actual systems and designs may vary. Always check with local building codes as they will apply. Electrical work to be performed by licensed professional. Points of use shall be labeled as: "Non Potable water, Do Not Drink!"

USER'S Responsibility  
Rainwater supplied by RainHarvest Systems is NON-Potable water. Warning do not drink water supplied from RainHarvest Systems rainwater systems and related equipment. We will be happy to offer suggestions on the use of our various products either by way of printed material or through direct contact with RainHarvest Systems team members. However, since we have no control over the use of our products once they are shipped, NO WARRANTY WEATHER OF MERCHANTABILITY, FITNESS FOR PURPOSE, OR OTHERWISE is made beyond the repair, replacement, or refund of purchase price at the sole discretion of RainHarvest Systems. Users shall determine the suitability of the product for the intended application before using, and the users assume all risk and liability whatsoever in connection therewith, regardless of any team members suggestions or statements as to the application or construction. In no event of the purchase price of the product. Consult local building codes for the system use.

CHK BY:	APP BY:	DRAWN BY:	QUOTE NO.:	SH.#:
		CMG		1 OF 1

### RainFlo Rainwater Collection System with 6625 Gallon Platin XXL Tank



RainHarvest Systems LLC.  
4475 Alicia Lane Suite 100  
Cumming, GA 30028  
Tel: 770-889-2533 Fax: 770-889-2577