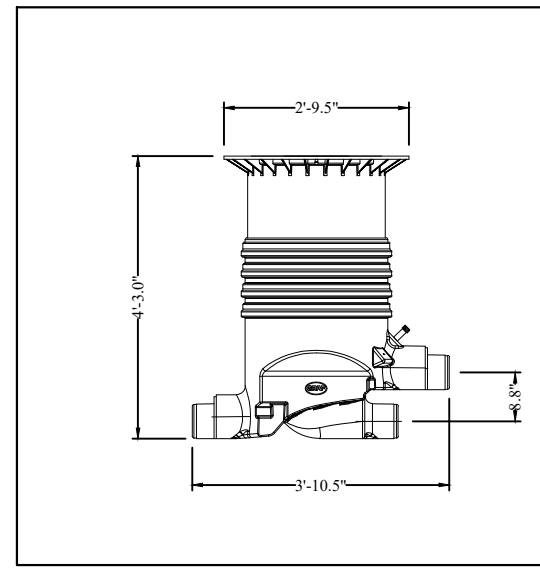


Precast dead man system with straps and turnbuckle assembly
Deadman Detail Side View



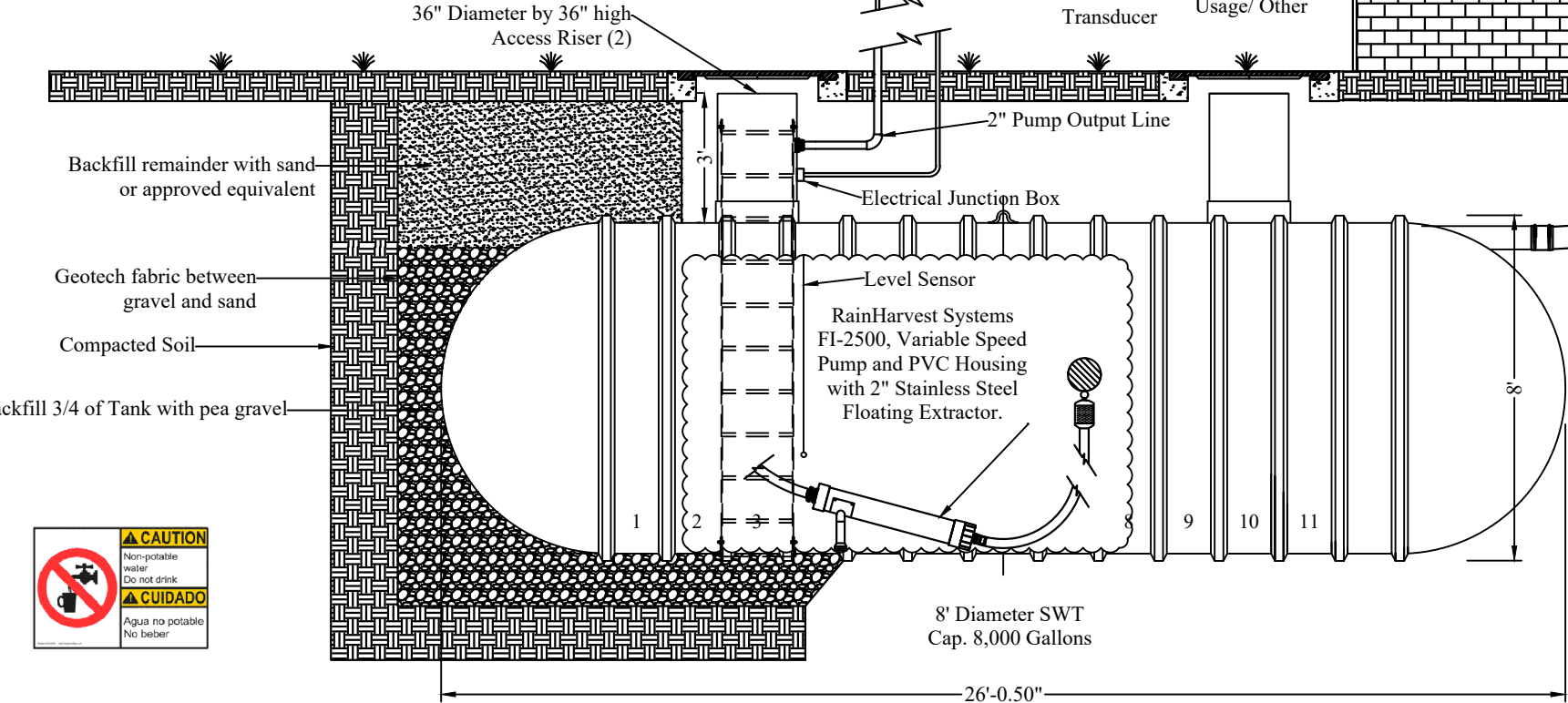
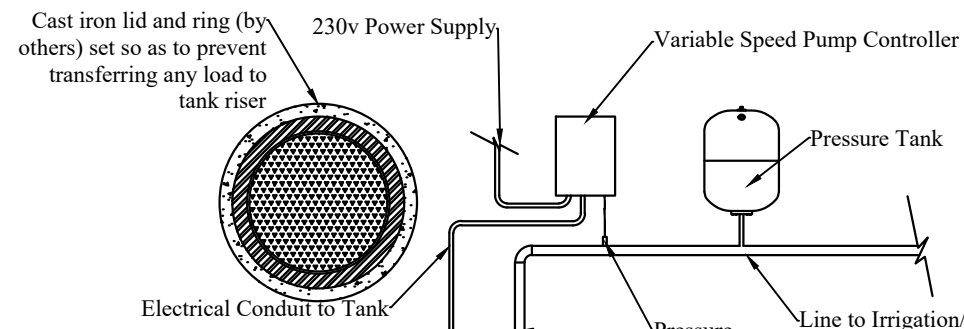
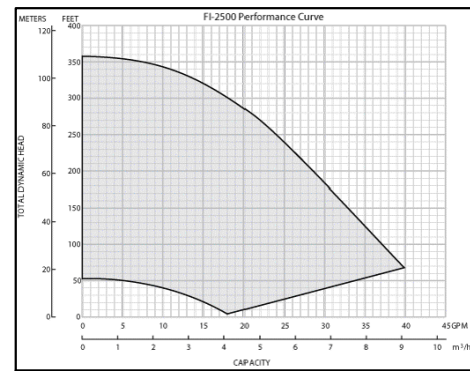
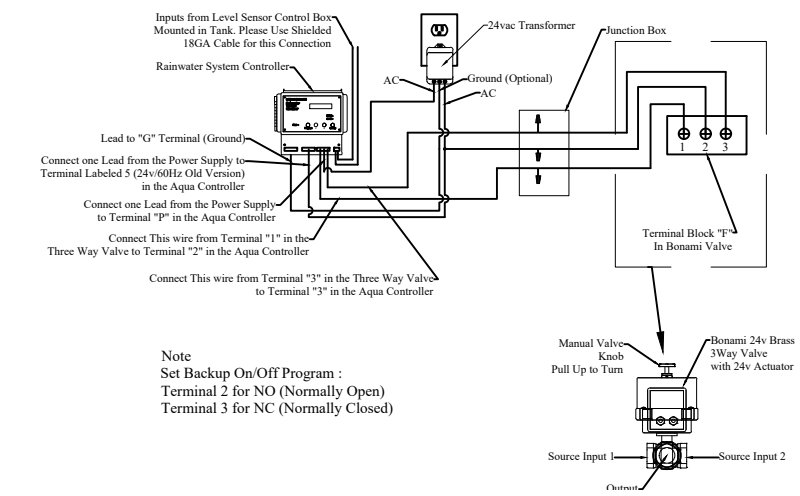
Graf Optimax Industrial
High efficiency, self-cleaning, below ground filtration system.

- * Variable installation depth from 31-59 inches
- * Flush installation at ground level
- * Only 7.87" height offset between inlet and outlet
- * 0.35mm (.01") mesh filter
- * Lockable childproof cover
- * Optional Opticlean® Sprayhead
- * Available with vehicle-loading cast iron lid
- * Over 95% yield
- * Self-cleaning filter
- * 6" and 8" connections
- * Max. 8,000 sq. ft. with 6" connections
- * Max. 16,000 sq. ft. with 8" connections



Optional Backup Components

Rainwater System Controller and Three Way valve Typical Wiring Diagram



USER'S Responsibility
Rainwater supplied by RainHarvest Systems is NON-Potable water. Warning do not drink water supplied from RainHarvest Systems rainwater systems and related equipment. We will be happy to offer suggestions on the use of our various products either by way of printed material or through direct contact with RainHarvest Systems team members. However, since we have no control over the use of our products once they are shipped, NO WARRANTY WEATHER OF MERCHANTABILITY, FITNESS FOR PURPOSE, OR OTHERWISE is made beyond the repair, replacement, or refund of purchase price at the sole discretion of RainHarvest Systems. Users shall determine the suitability of the product for the intended application before using, and the users assume all risk and liability whatsoever in connection therewith, regardless of any team members suggestions or statements as to the application or construction. In no event of the purchase price of the product. Consult local building codes for the system use.

NOTE: This drawing is for illustrative purposes only. Actual systems and designs may vary. Always check with local building codes as they will apply. Electrical work to be performed by licensed professional. Points of use shall be labeled as: "Non Potable water, Do Not Drink!"



CHK BY:	APP BY:	DRAWN BY:	QUOTE NO.:	SH.#:
		CMG		1 OF 1
Typical RainFlo Fiberglass Rainwater Collection System				
		RainHarvest Systems LLC. 4475 Alicia Lane Cumming, GA 30028 Tel: 770-889-2533		