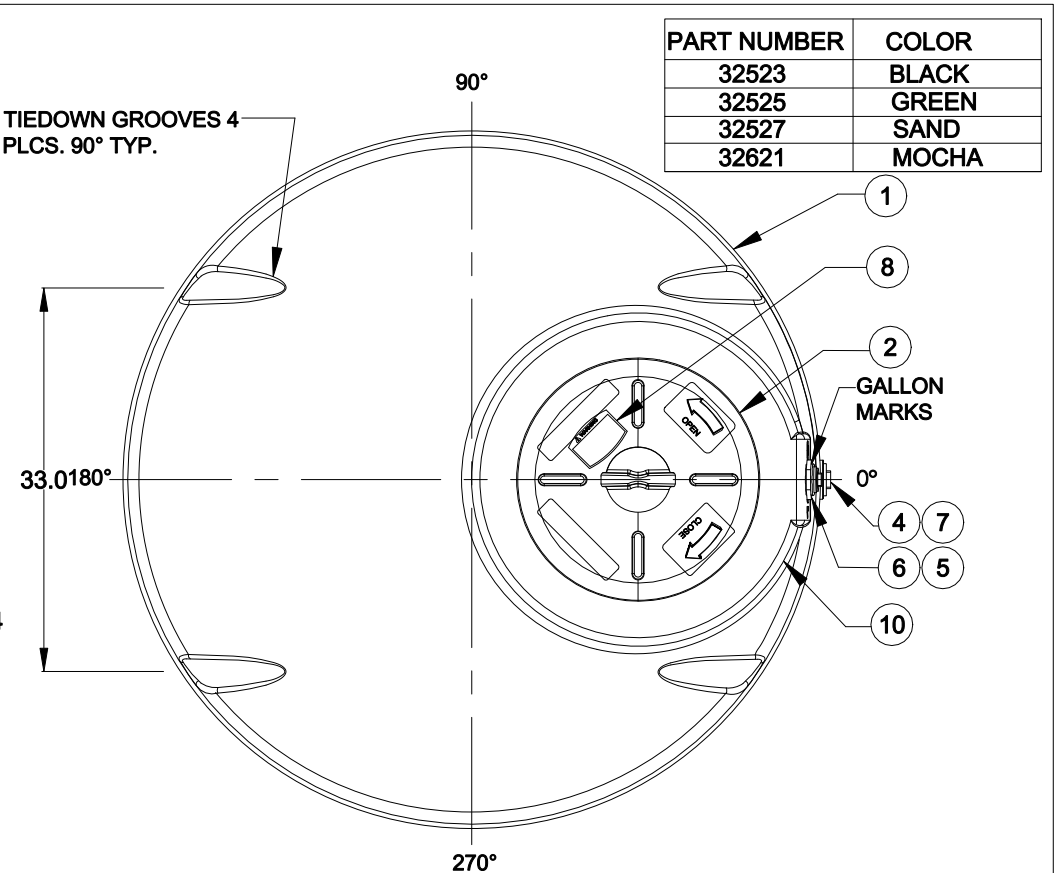


*FITTINGS ARE CENTERED IN BOTTOM FITTING FLATS & FITTING HEIGHTS MAY VARY.
 *ALL EXTERNAL PIPING MUST BE INDEPENDENTLY SUPPORTED.
 *ONLY BASE FITTINGS TO BE LEFT INSTALLED AT TIME OF SHIPMENT PER SII PROCEDURE.
 ALL DIMENSIONS ARE IN INCHES, NOMINAL, & SUBJECT TO CHANGE WITHOUT NOTICE.
 ALL DIMENSIONS ON ROTATIONAL MOLDED PARTS ARE SUBJECT TO A ± 3% TOLERANCE.



PART NUMBER	COLOR
32523	BLACK
32525	GREEN
32527	SAND
32621	MOCHA

10	1	99700231	DECAL NSF MARK - WATER TKS
9	1	61847	DECAL AG WARNING - SMALL
8	1	61848	DECAL AG WARNING - LARGE
7	1	60021	2" NPT PLUG
6	1	63931	FTG PP 1-1/2 IN ECO-BH EPDM TXT
5	1	64149	1-1/2" NPT PLUG
4	1	60405	FTG PP 2IN BH EPDM TXT
3	1	60081	SCREW #9 X 1" SS 5"-22" LID
2	1	64448	MANWAY 20IN W/VENT R
1	1	P016747	1000V X 60 RP

ITEM NO.	QTY.	PART NUMBER	DESCRIPTION
DO NOT SCALE		DRAWN BY	REVISION
STATUS: Released		IGG	A
© SNYDER INDUSTRIES, LLC, 2019			TITLE: 1000 V WATER R WF
ALL DIMENSIONS, DESIGNS, AND INFORMATION ON THIS PRINT MUST BE CONSIDERED PROPRIETARY TO SNYDER INDUSTRIES, LLC, AND MAY NOT BE USED, COPIED, OR DISTRIBUTED WITHOUT WRITTEN PERMISSION OF AN OFFICER (OR HIS AGENT) OF THE FIRM.			PART NO. SEE CHART
		(402) 467-5221 www.snydermet.com	SHEET 1 OF 1