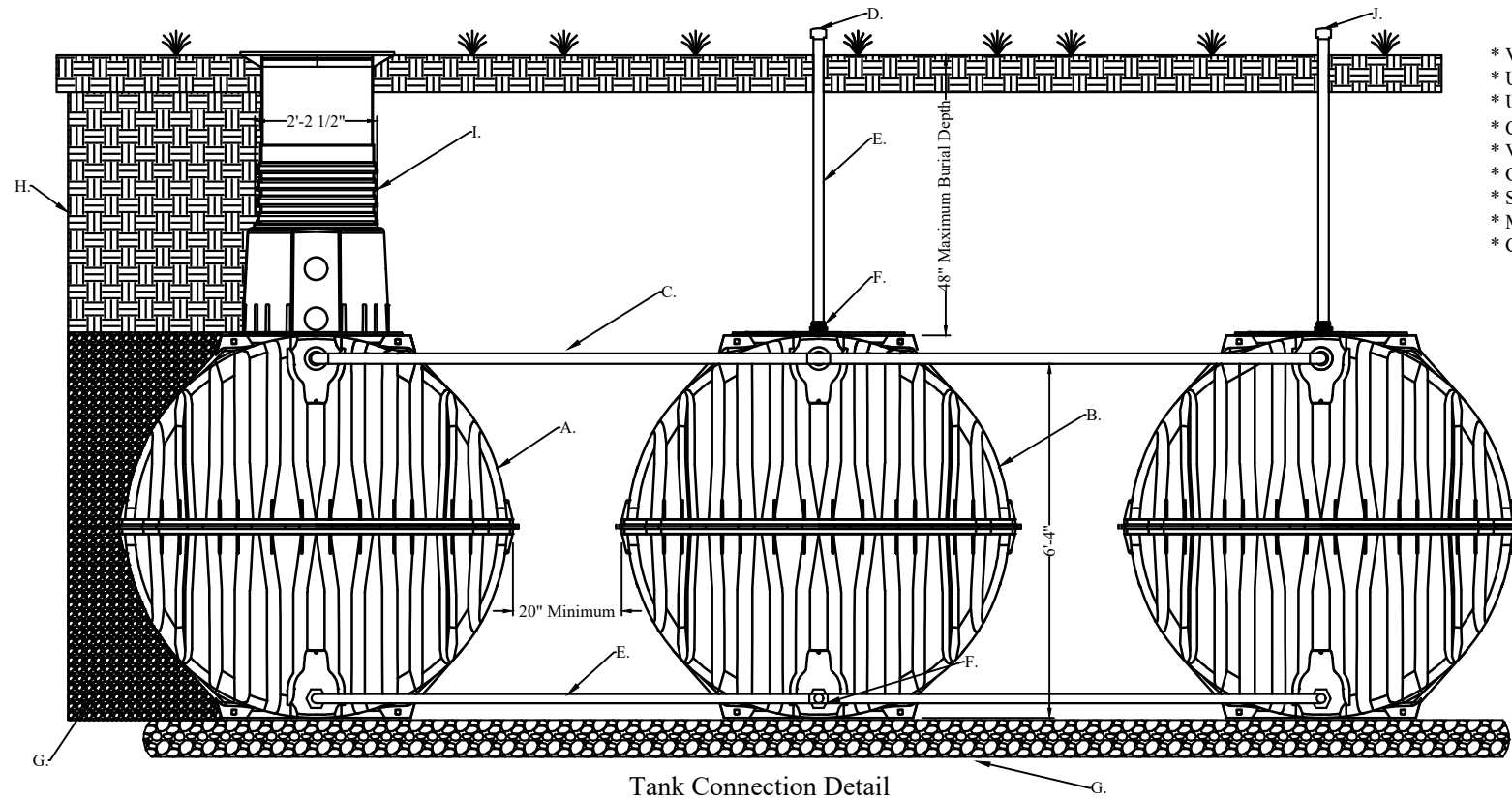


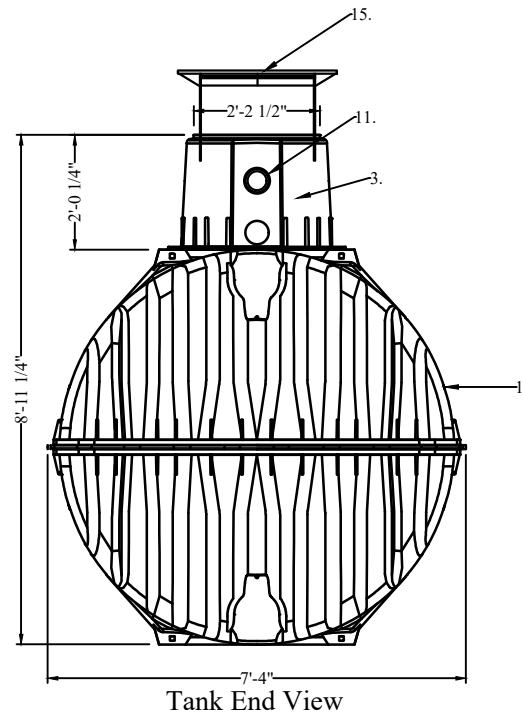
Legend A	
A.	GRAF Carat S 1700 Gallon Underground Tank (1)
B.	GRAF Carat S 1700 Gallon Underground Extension Tank (2)
C.	Optional Upper Tank Connection
D.	2" Screened Tank Vent (2)
E.	2" Lower Balancing Lines
F.	2" Banjo Bulkhead Fitting
G.	Gravel Base (#57) and Backfill (#89 or Pea)
H.	Native Soil Backfill (Above Tank)
I.	12" Riser Extension for Tank Access (Optional)

Legend B	
1.	GRAF Carat S 1700 Gallon Underground Tank.
2.	GRAF Optimax Pro Internal Filter with Opticlean Spray Head.
3.	Tank Dome with Sealing Gasket.
4.	RainFlo FI-2500 Flow Inducer Pump System.
5.	2" Floating Pump Extractor with Suction Hose and Air Filled Ball.
6.	2" Bulkhead Fitting for plumbing thru tank or riser assembly.
7.	Overflow siphon with mosquito and rodent stop.
8.	4" Overflow drain to storm drain or other. Typically PVC S&D or Schedule 40 Pipe.
9.	Control Box and Water Level Sensor for Aqua Control (Rainwater System Controller).
10.	Calming inlet to prevent the disturbance of the fine sediment layer at bottom of tank.
11.	GRAF 4" Pipe Gasket Supplied with Dome Seal Kit.
12.	4" PVC from Roof Gutters and Downspouts.
13.	1-1/2" Pump Discharge Hose.
14.	Power Cable to Pump from Control Panel.
15.	Adjustable Riser and Childproof Lid.
16.	Clean water Outlet On Graf Optimax to Rain Collection Tank.
17.	1" Reduced Pressure Principle Assembly (RPZ).
18.	Brass 3Way Valve with 24v Motorized Actuator and 1-1/2" Connections.
19.	Municipal Water Supply Connection.
20.	Output to Irrigation or Other Use.

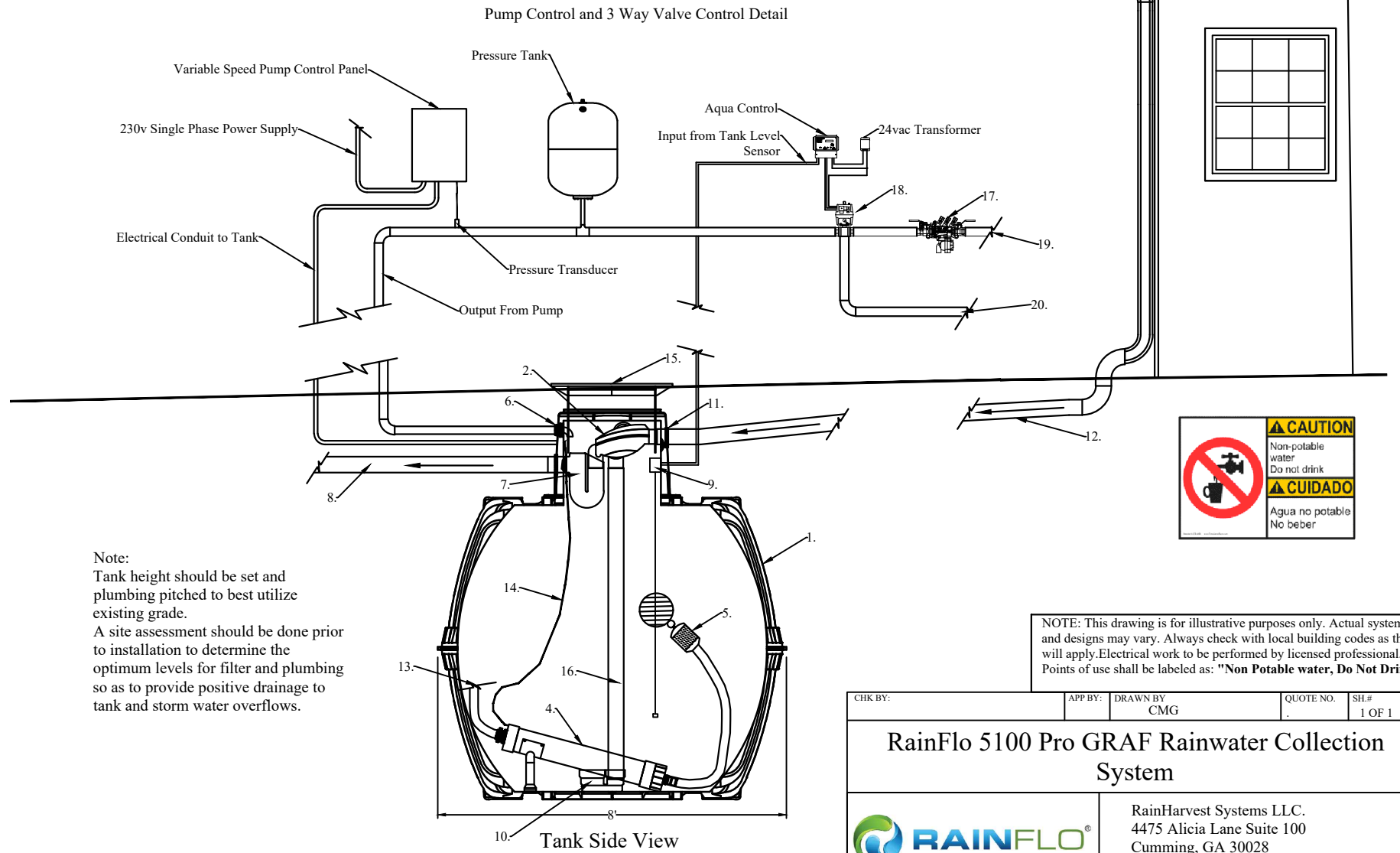


Tank Connection Detail

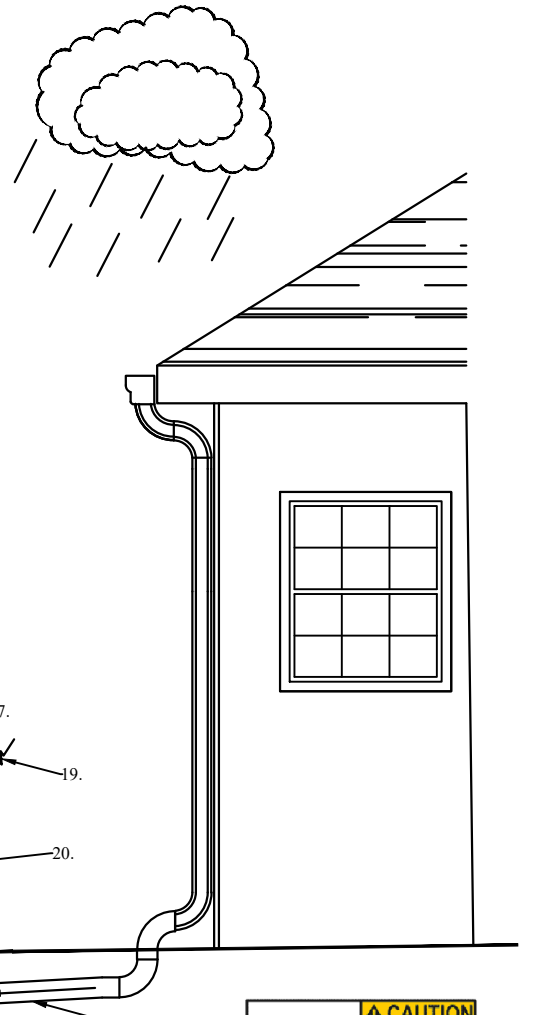
USER'S Responsibility
 Untreated Rainwater is NON-Potable water. Warning do not drink water supplied from RainHarvest Systems rainwater systems and related equipment. We will be happy to offer suggestions on the use of our various products either by way of printed material or through direct contact with RainHarvest Systems team members. However, since we have no control over the use of our products once they are shipped, NO WARRANTY WHETHER OF MERCHANTABILITY, FITNESS FOR PURPOSE, OR OTHERWISE is made beyond the repair, replacement, or refund of purchase price at the sole discretion of RainHarvest Systems. Users shall determine the suitability of the product for the intended application before using, and the users assume all risk and liability whatsoever in connection therewith, regardless of any team members suggestions or statements as to the application or construction. In no event shall any remedy exceed the purchase price of the product. Consult local building codes for the system use.



Tank End View



Note:
 Tank height should be set and plumbing pitched to best utilize existing grade.
 A site assessment should be done prior to installation to determine the optimum levels for filter and plumbing so as to provide positive drainage to tank and storm water overflows.



NOTE: This drawing is for illustrative purposes only. Actual systems and designs may vary. Always check with local building codes as they will apply. Electrical work to be performed by licensed professional. Points of use shall be labeled as: "Non Potable water, Do Not Drink!"

CHK BY:	APP BY:	DRAWN BY:	QUOTE NO.:	SH.#:
		CMG		1 OF 1
RainFlo 5100 Pro GRAF Rainwater Collection System				
		RainHarvest Systems LLC. 4475 Alicia Lane Suite 100 Cumming, GA 30028 Tel: 770-889-2533 Fax: 770-889-2577		

- GRAF Carat S 1700 Gallon Tank Specifications:**
- * Variable burial depth: 30" to 42" (59" Max. with optional dome extension and "Maxi" telescopic riser)
 - * Unique in the world! – unique manufacturing process produces the highest stability due to latest techniques
 - * Unique fit accuracy of the components thanks to new production process
 - * Consistent quality due to TÜV safety testing and production monitoring
 - * Vehicle-bearing (with telescopic cast iron manway kit)
 - * Groundwater stable up to the middle of the tank due to extremely rigid construction
 - * Secure investment with market leading 15-year warranty
 - * Made from high quality Duralene; easy to recycle
 - * Can be expanded as required