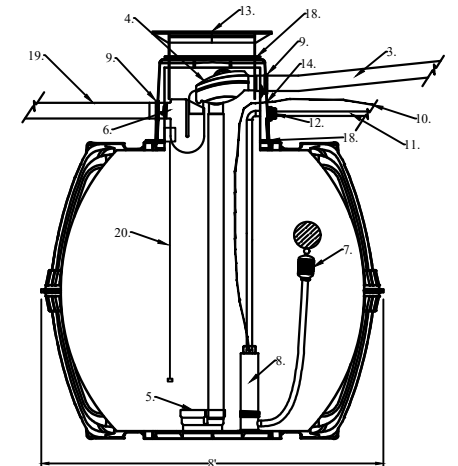
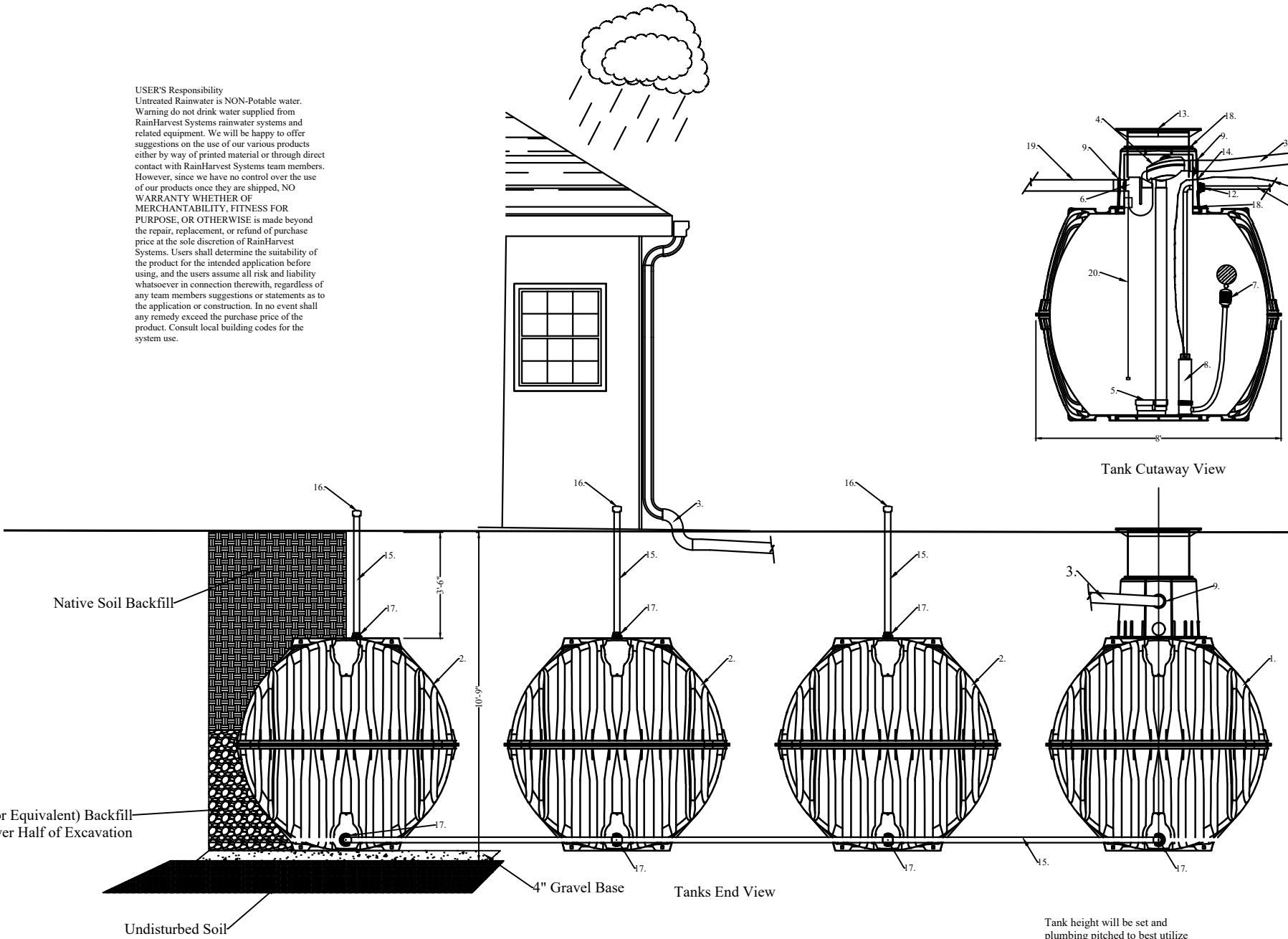
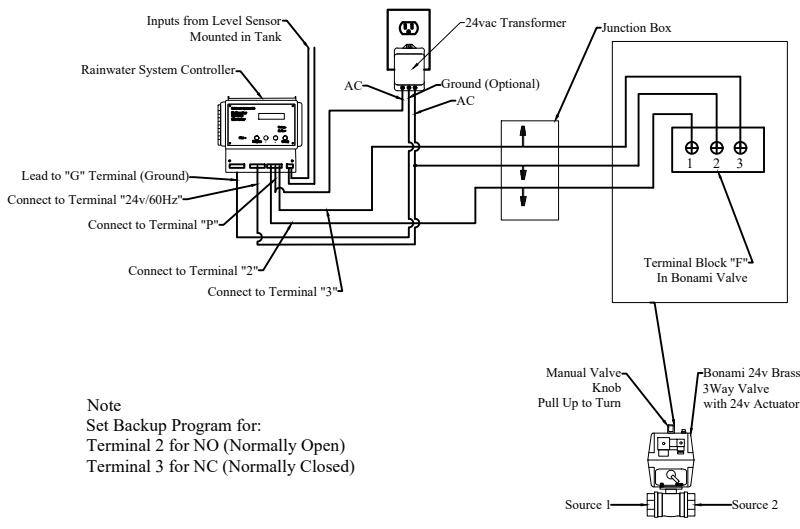


USER'S Responsibility
 Untreated Rainwater is NON-Potable water. Warning do not drink water supplied from RainHarvest Systems rainwater systems and related equipment. We will be happy to offer suggestions on the use of our various products either by way of printed material or through direct contact with RainHarvest Systems team members. However, since we have no control over the use of our products once they are shipped, NO WARRANTY WHETHER OF MERCHANTABILITY, FITNESS FOR PURPOSE, OR OTHERWISE is made beyond the repair, replacement, or refund of purchase price at the sole discretion of RainHarvest Systems. Users shall determine the suitability of the product for the intended application before using, and the users assume all risk and liability whatsoever in connection therewith, regardless of any team members suggestions or statements as to the application or construction. In no event shall any remedy exceed the purchase price of the product. Consult local building codes for the system use.



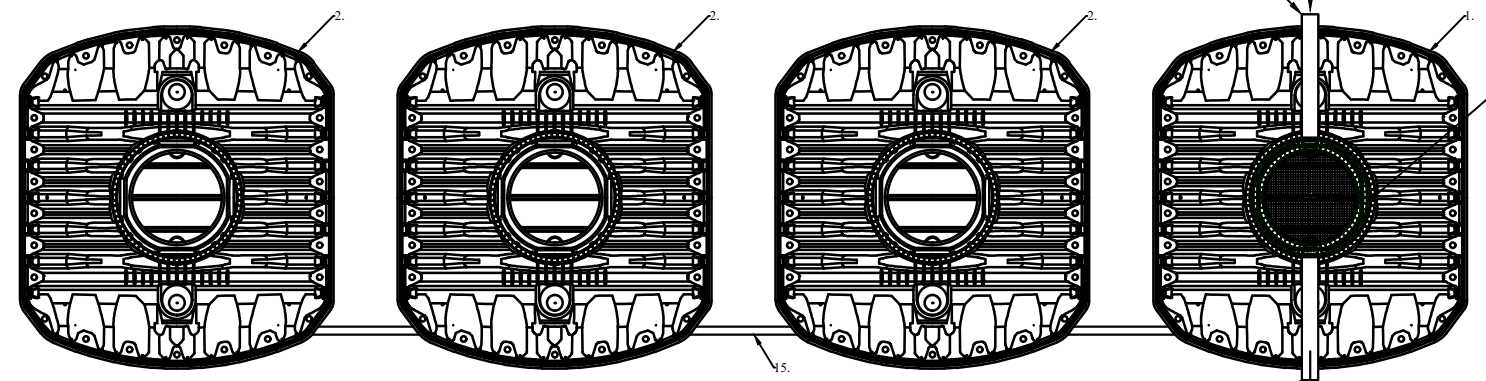
Legend A	
1.	GRAF Carat S 1700 Gallon Underground Tank (1)
2.	GRAF Carat S 1700 Gallon Underground Extension Tank (3)
3.	4" Inlet From Roof Drains and Gutters
4.	GRAF Optimax Pro Internal High efficiency, self-cleaning, In Tank filtration system.
5.	RainFlo Calming Inlet
6.	Overflow siphon with mosquito and rodent stop
7.	GRAF 1-1/4" Floating Pump Extractor with 1200 Micron Coarse Screen
8.	RainFlo 1.25 Submersible Pump.
9.	4" RainFlo Gasket (2)
10.	Power Supply for Pump
11.	1 1/4" Schedule 40 PVC Pump output to Use
12.	1-1/4" Bulkhead Fitting
13.	Adjustable Riser and Childproof Lid
14.	3/4" Liquidtight Flexible Nonmetallic Conduit and Straight Fitting Outside of Tank
15.	2" PVC Tank Connection Line and Vent
16.	2" Screened Tank Vent
17.	2" Bulkhead Fitting
18.	Dome and Shaft Seal Gasket Locations
19.	4" Overflow to Storm Drain / Other
20.	Water Level Sensor for Aqua Control Unit



Note
 Set Backup Program for:
 Terminal 2 for NO (Normally Open)
 Terminal 3 for NC (Normally Closed)

- GRAF Carat S 1700 Gallon Tank Specifications:**
- * Variable burial depth: 30" to 42" (59" Max. with optional dome extension and "Maxi" telescopic riser)
 - * Unique in the world! – a global innovation: unique manufacturing process produces the highest stability due to latest techniques
 - * Unique fit accuracy of the components thanks to new production process
 - * Consistent quality due to TÜV safety testing and production monitoring
 - * Vehicle-bearing (with telescopic cast iron manway kit)
 - * Groundwater stable up to the middle of the tank due to extremely rigid construction
 - * Secure investment with market leading 15-year warranty
 - * Made from high quality Duralene; easy to recycle
 - * Can be expanded as required

Tank height will be set and plumbing pitched to best utilize existing grade.
 A site assessment should be done prior to installation to determine the optimum levels for filter and plumbing so as to provide positive drainage to tank and stormwater overflows.



NOTE: This drawing is for illustrative purposes only. Actual systems and designs may vary. Always check with local building codes as they will apply. Electrical work to be performed by licensed professional. Points of use shall be labeled as: "Non Potable water, Do Not Drink!"

CHK BY:	APP BY:	DRAWN BY:	QUOTE NO.:	SH.#:
		CMG		1 OF 1

RainFlo 6800 IG GRAF Rainwater Collection System


 RainHarvest Systems LLC.
 4475 Alicia Lane Suite 100
 Cumming, GA 30028
 Tel: 770-889-2533 Fax: 770-889-2577

Aqua Control Detail

Tanks Top View